

ELISE MOSS
Autodesk Certified Instructor

Autodesk® Revit® 2024 Architecture Basics

From the Ground Up



Visit the following websites to learn more about this book:



[amazon.com](https://www.amazon.com)

[Google books](https://books.google.com)

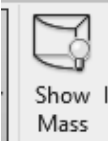
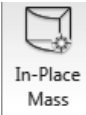
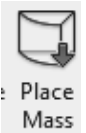
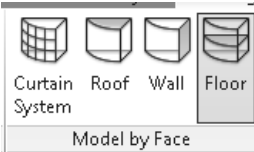
[BARNES & NOBLE](https://www.barnesandnoble.com)

Lesson 2

Mass Elements

Mass Elements are used to give you a conceptual idea of the space and shape of a building without having to take the time to put in a lot of detail. It allows you to create alternative designs quickly and easily and get approval before you put in a lot of effort.

Massing Tools

 <p>Show Mass</p>	Show Mass controls the visibility of mass entities.
 <p>In-Place Mass</p>	Creates a solid shape.
 <p>Place Mass</p>	Inserts a mass group into the active project.
 <p>Curtain System Roof Wall Floor</p> <p>Model by Face</p>	<p>Model by Face:</p> <p>Converts a face into a Roof, Curtain Wall System, Wall, or Floor.</p>

When creating a conceptual mass to be used in a project, follow these steps:

1. Create a sketch of the desired shape(s).
2. Create levels to control the height of the shapes.
3. Create reference planes to control the width and depth of the shapes.
4. Draw a sketch of the profile of the shape.
5. Use the Massing tools to create the shape.

Masses can be used to create a component that will be used in a project, such as a column, casework, or lighting fixture, or they can be used to create a conceptual building.

Exercise 2-1

Shapes

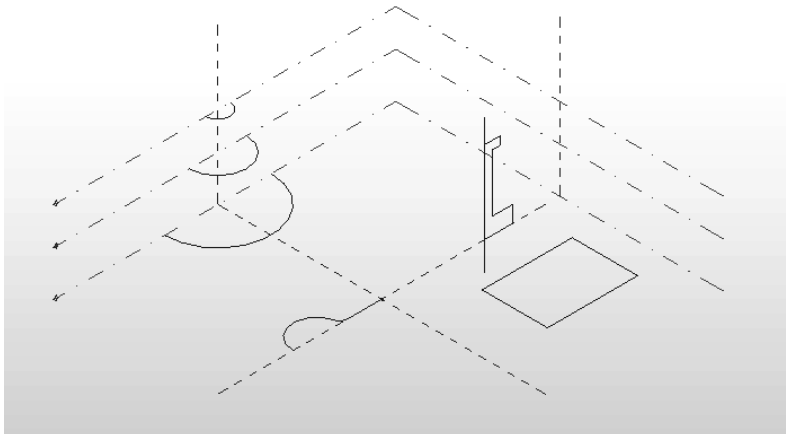
Drawing Name: shapes.rfa

Estimated Time: 5 minutes

This exercise reinforces the following skills:

- Creating basic shapes using massing tools
- Create an extrude
- Modify the extrude height
- Create a revolve
- Create a sweep
- Create a blend
- Modify a blend

1.

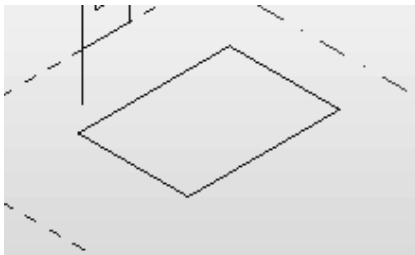


There are several sketches in the file.

Each set of sketches will be used to create a specific type of mass form.

Revit knows what type of shape you want to create based on what you select. It's all in the ingredients!

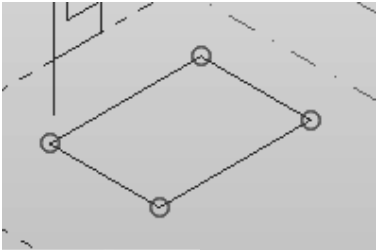
2.

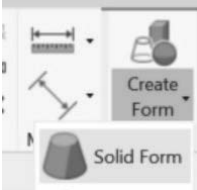


The most basic mass form is an extrude. This mass form requires a single closed polygonal sketch.

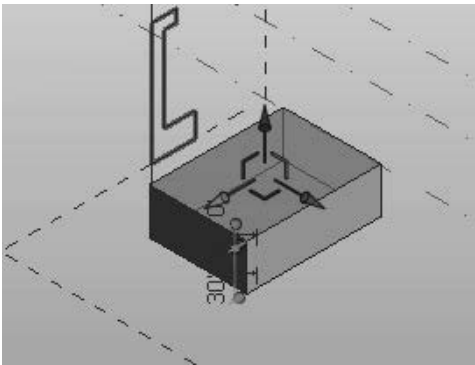
The sketch should have no gaps or self-intersecting lines.

Select the rectangle so it highlights.

3.  When the sketch is selected, you will see grips activated at the vertices.

4.  Select **Create Form**→**Solid Form** to create the extrude.
You won't see the Create Form tool on the ribbon unless a sketch is selected.

5. A preview of the extrude is displayed.



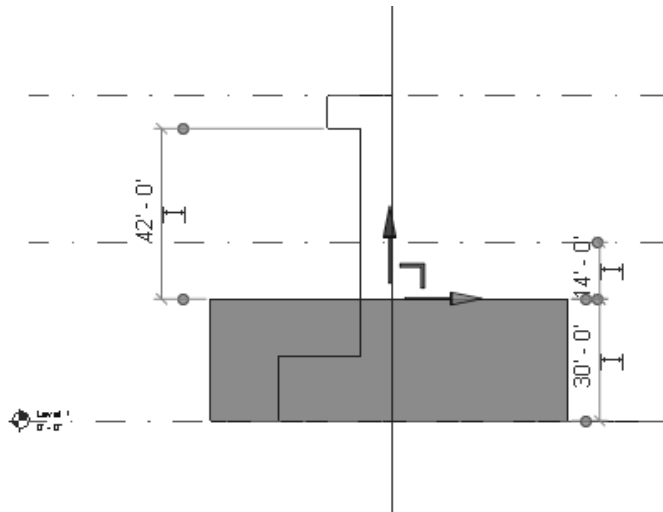
You can use the triad on the top of the extrude to extend the shape in any of the three directions.

There are two dimensions:

The bottom dimension controls the height of the extrude.

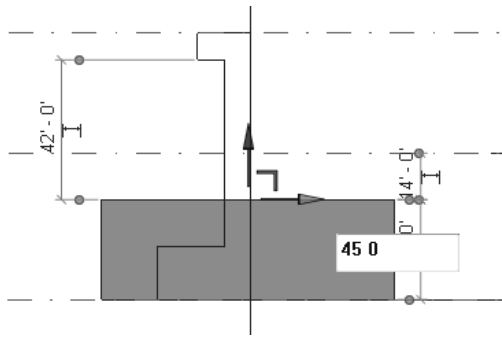
The top dimension controls the distance from top face of the extrude and the next level.

6. Activate the **East Elevation**.



You can see how the dimensions are indicating the relative distances between the top face and the upper level, the bottom face, and another sketch.

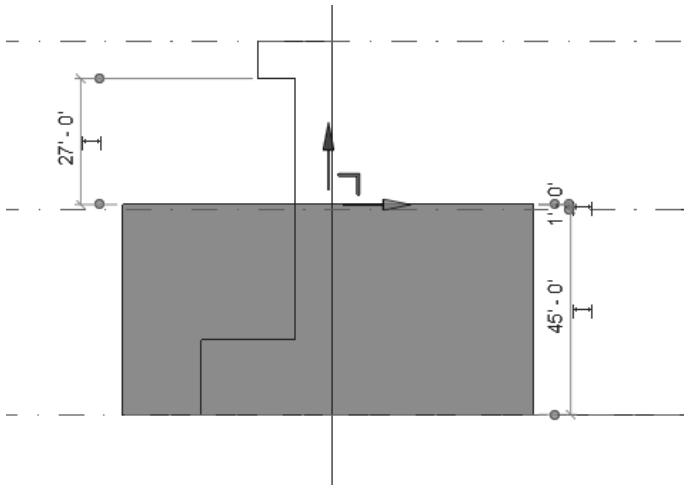
7.



Change the 30'-0" dimension to **45'-0"**.
To change the dimension, left click on the 30' 0" dimension text.

Click Enter.

8.



Note how the other relative dimensions update.

Left Click anywhere in the window to exit defining the mass.

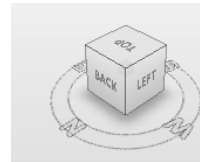
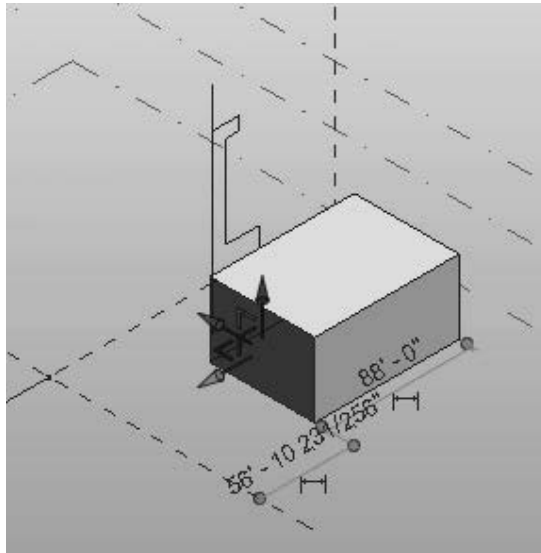
If you click Enter, you will create a second mass.

9.



Switch to a 3D view.

10.

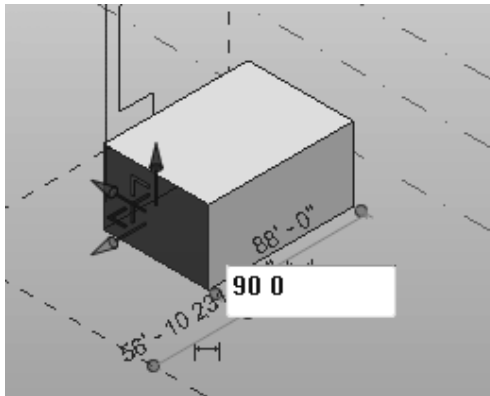


Select the Back/North face of the block. Use the Viewcube to verify the orientation.

To select the face, place the mouse over the face and click the tab key until the entire face highlights.

This activates the triad and also displays the temporary dimensions.

11.



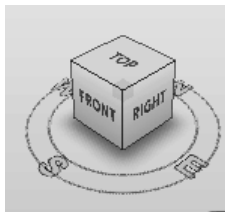
You will see two temporary dimensions. One dimension indicates the distance of the face to the opposite face (the length of the block). One dimension indicates the distance of the face to the closest work plane.

Change the 88' 0" dimension to **90'-0"**.

Left click in the window to release the selection and complete the change.

If you click Enter, you will create a second mass.

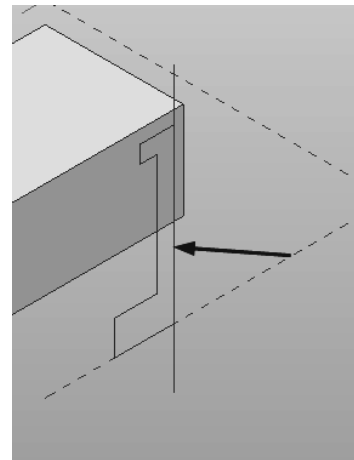
12.



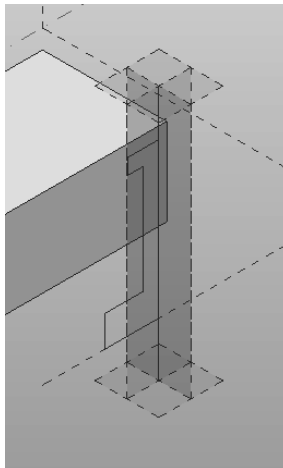
Use the View Cube to reorient the view so you can clearly see the next sketch.

This sketch will be used to create a Revolve.

A Revolve requires a closed polygonal shape PLUS a reference line which can be used as the axis of revolution.



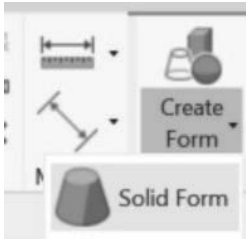
13.



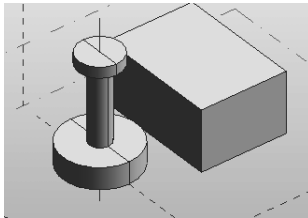
Hold down the CONTROL key and select the Axis Line (this is a reference line) and the sketch.

Note that a reference line automatically defines four reference planes. These reference planes can be used to place sketches.

14. Select **Create Form**→**Solid Form**.



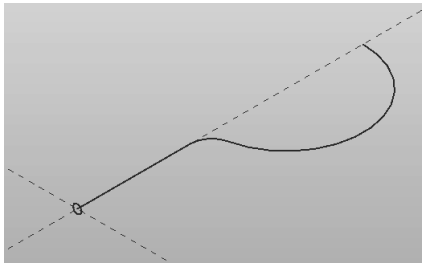
15. A Revolve will be created.



Our next mass form will be a SWEEP.

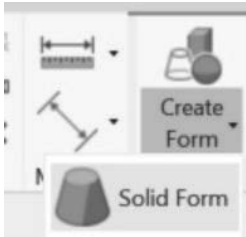
A sweep requires two sketches. One sketch must be a closed polygonal shape. This sketch is called the profile. The second sketch can be open or closed and is called the path. The profile travels along the path to create the sweep.

16. Hold down the **CONTROL** key and select the small circle and the sketch that looks like a question mark.

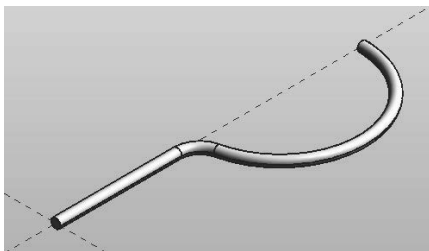


The two sketches will highlight.

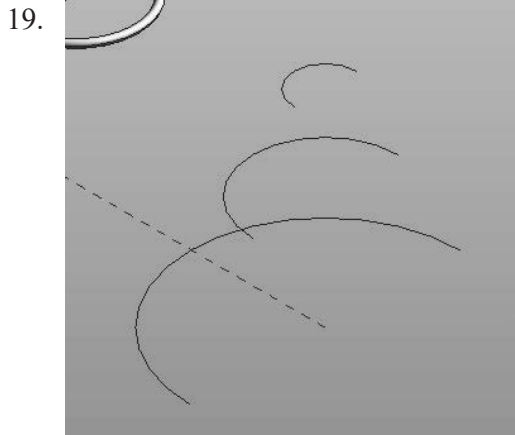
17. Select **Create Form**→**Solid Form**.



18. The sweep will be created.

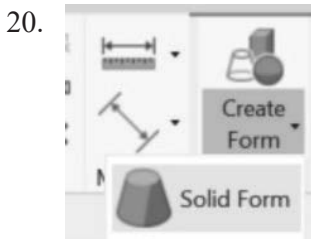


The most common error when creating a sweep is to make the profile too big for the path. If the profile self-intersects as it travels along the path, you will get an error message. Try making the profile smaller to create a successful sweep. Sweeps are useful for creating gutters, railings, piping, and lighting fixtures.

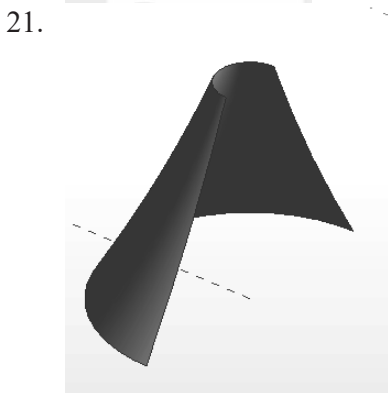


Our final shape will be a BLEND or LOFT. A blend is created using two or more open or closed sketches. Each sketch must be placed on a different reference plane or level.

Hold down the CONTROL key and select the three arcs.



Select **Create Form**→**Solid Form**.



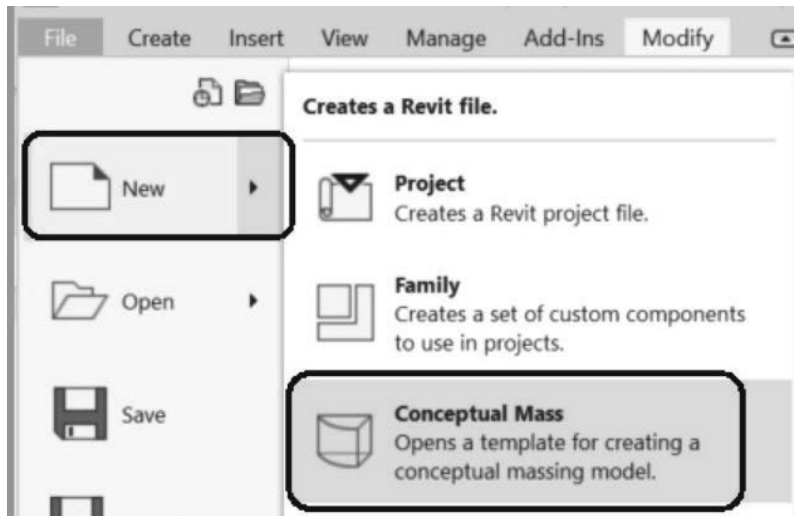
A blend shape is created.

Blends are used for complex profiles and shapes.

Close without saving.

Challenge Task:

Can you create the four basic shapes from scratch?



Create an extrude, revolve, sweep and blend using New→Conceptual Mass from the Applications menu.

Steps to make an Extrude:

1. Set your active plane using the Set Work Plane tool.
2. Create a single polygonal sketch with no gaps or self-intersecting lines.
3. Select the sketch.
4. Create Form→Solid Form.
5. Green Check to finish the mass.

Steps to make a Revolve:

1. Set your active plane using the Set Work Plane tool.
2. Switch to a 3D view.
3. Draw a reference line to be used as the axis of revolution.
4. Pick one of the planes defined by the reference line as the active plane to place your sketch.
5. Create a single polygonal sketch – no gaps, overlapping or self-intersecting lines – for the revolve shape.
6. Hold down the CONTROL key and select BOTH the sketch and reference line. If the reference line is not selected, you will get an extrude.
7. Create Form→Solid Form.
8. Green Check to finish the mass.

Steps to make a Sweep:

1. Activate Level 1 floor plan view. You need to select one reference plane for the profile and one reference plane for the path. The reference planes must be perpendicular to each other. Set Level 1 for the path's reference plane.
2. Draw a path on Level 1. The path can be a closed or open sketch.
3. Create a reference plane to use for the profile. Draw a reference plane on Level 1 – name it profile plane. Make this the active plane for the profile sketch.
4. Switch to a 3D view. Create a single polygonal sketch – no gaps, overlapping or self-intersecting lines. The profile sketch should be close to the path or intersect it so it can follow the path easily. If it is too far away from the path, it will not sweep properly, or you will get an error.
5. Hold down the CONTROL key and select BOTH the path and the profile. If only one object is selected, you will get an extrude.
6. Create Form→Solid Form.
7. Green Check to finish the mass.

Steps to make a Blend:

1. Blends require two or more sketches. Each sketch should be on a parallel reference plane. You can add levels or reference planes for each sketch. If you want your blend to be vertical, use levels. If you want your blend to be horizontal, use reference planes.
 - a. To add levels, switch to an elevation view and select the Level tool.
 - b. To add reference planes, switch to a floor plan view and select the Reference Plane tool. Name the reference planes to make them easy to select.
2. Set the active reference plane using the Option Bar or the Set Reference Plane tool.
3. Create a single polygonal sketch – no gaps, overlapping or self-intersecting lines.
4. Select at least one more reference plane to create a second sketch. Make this the active plane.
5. Create a single polygonal sketch – no gaps, overlapping or self-intersecting lines.
6. Hold down the CONTROL key and select all the sketches created. If only one object is selected, you will get an extrude.
7. Create Form→Solid Form.
8. Green Check to finish the mass.

Exercise 2-2
Create a Conceptual Model

Drawing Name: default.rte [DefaultMetric.rte]
 Estimated Time: 5 minutes

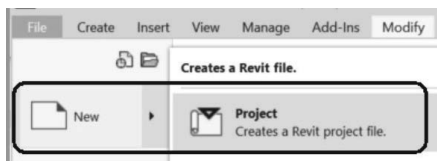
This exercise reinforces the following skills:

- ❑ Switching Elevation Views
- ❑ Setting Project Units
- ❑ Add a Level

This tutorial uses metric or Imperial units. Metric units will be designated in brackets.

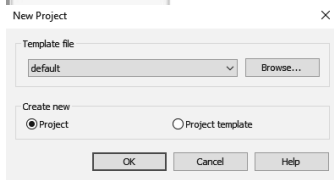
Revit uses a level to define another floor or story in a building.

1.



Select **New** → **Project**.

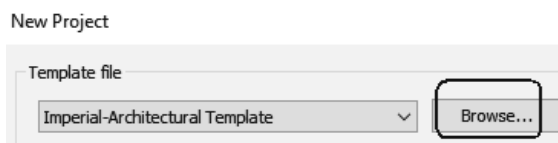
2.



Select the *default* template in the drop-down list.

This template was added to the list in Exercise 1-8.

3.



If you don't see the default template...

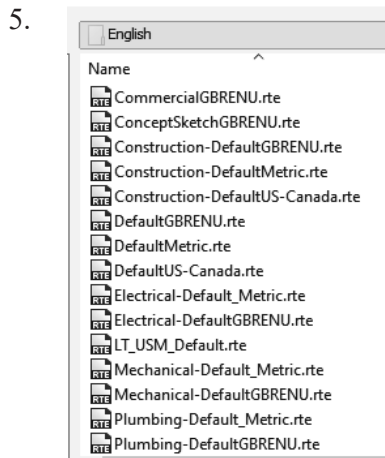
Under the Template file, select **Browse**.

4.

Locate the *English-Imperial* folder under *ProgramData/Autodesk/RVT 2024/Templates*.

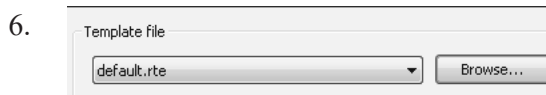


For Metric:
 Locate the *English* folder under *ProgramData/Autodesk/RVT 2024/Templates*.



Notice the types of templates available in each of these folders.

The number of templates available was determined when the software was installed. You can add more templates by modifying the installation using the Control Panel or download additional templates from Autodesk's content library.



Select the *default.rte* [*DefaultMetric.rte*] template.

Brackets indicate metric, which can be selected as an alternative.

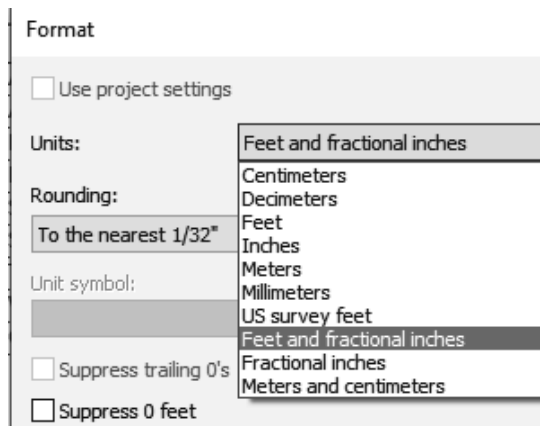
Click **OK**.

If you accidentally picked Metric when you wanted Imperial or vice versa, you can change the units at any time.

To change Project Units, go to the **Manage** Ribbon.




Select **Settings**→**Project Units**.



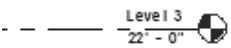
Left click the Length button, then select the desired units from the drop-down list.

7.  Double click **East** under Elevations.

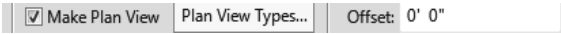
This activates the East view orientation.

8.  Select the **Architecture** ribbon.

9.  Select the **Level** tool under Datum. (This adds a floor elevation.)

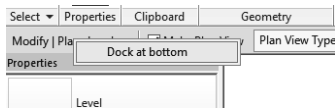
10.  Move your mouse to set an elevation of **22'** [3650 mm] using 12' above Level 2.

Pick to start the elevation line.

11.  **Make Plan View** Plan View Types... Offset: 0' 0"

In the Options bar, enable **Make Plan View**.

The Options bar can be located below the ribbon or at the bottom of the screen.



If the Options bar is located below the ribbon and you would prefer it on the bottom of the screen, right click and select **Dock at Bottom**.

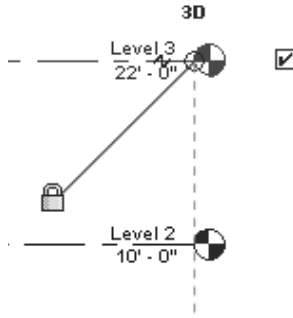


If the Options bar is located at the bottom of the screen and you would prefer it to be below the ribbon, right click on the Options bar and select **Dock at Top**.

Make Plan View should be enabled if you want Revit to automatically create a floor plan view of this level. If you forget to check this box, you can create the floor plan view later using the **View** Ribbon.



Double click on the blue elevation symbol to automatically switch to the floor plan view for that elevation.

12.  Pick to place the end point to position the level indicator above the other indicators.

13. Basically, you place a new level by picking two points at the desired height.
Right click and select **Cancel** to exit the Level command.

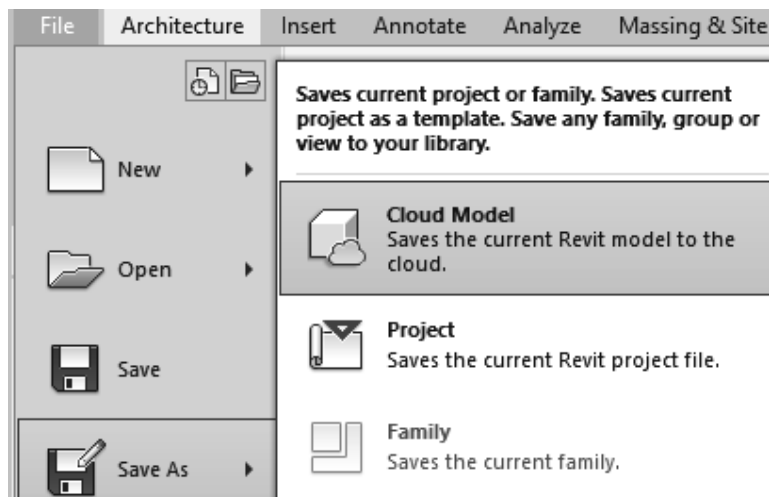
Revit is always looking for references even among annotations; you will notice that your level tags snap and lock together so when you move one to the right or left, all those in line with it will follow.

The jogged line allows the user to create a jog if desired.

If you need to adjust the position of the tag, just click on the line; 3 blue grips will appear. These can be clicked and dragged as needed. You can also right click on a level tag and select 'Hide annotation in view' and the tag and level line will disappear in that view only.

Hide Annotation in View is only enabled if an object is selected first.

14. Save the file as a project as *ex2-2.rvt*.



Revit has an option where you can save the current file, whether it is a project file or a family, to a cloud server. In order for this option to be available, you have to pay a subscription fee to Autodesk for the cloud space.



Exercise 2-3**Adding an In-Place Mass**

Drawing Name: in-place mass.rvt

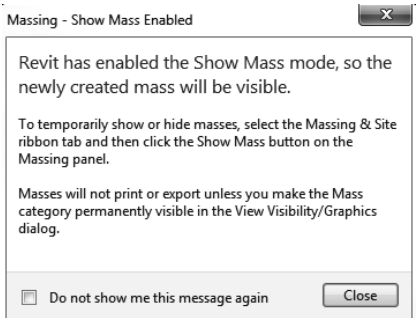
Estimated Time: 10 minutes

This exercise reinforces the following skills:

- Switching Elevation Views
- Add Mass

1.  Open *in-place mass.rvt*.2.  Activate the **Level 1** view.3.  Select the **Massing & Site** ribbon.4.  Select the **In-Place Mass** tool.In-Place
Mass

Revit uses three different family categories. System families are families which are defined inside the project, such as floors, walls, and ceilings. Loadable families are external files which can be loaded into the project, such as doors, windows, and furniture. The third family category is in-place masses, which are families created on-the-fly. In-place masses are only available inside the project where they are created and are usually unique to the project since they aren't loadable. However, you can use the Copy and Paste function to copy in-place masses from one project to another, if you decide to re-use it. That can be a hassle because you need to remember which project is storing the desired in-place mass.

5.  Massing - Show Mass Enabled

Revit has enabled the Show Mass mode, so the newly created mass will be visible.

To temporarily show or hide masses, select the Massing & Site ribbon tab and then click the Show Mass button on the Massing panel.

Masses will not print or export unless you make the Mass category permanently visible in the View Visibility/Graphics dialog.

 Do not show me this message again

Close

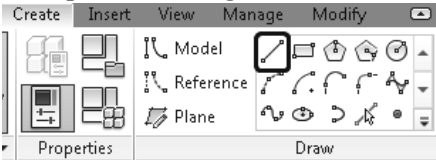
Masses, by default, are invisible. However, in order to create and edit masses you need to see what you are doing. Revit brings up a dialog to let you know that the software is switching the visibility of masses to ON, so you can work.

Click **Close**.

*If you don't want to be bugged by this dialog, enable the **Don't show me this message again** option.*

6.  Enter **Mass 1** in the Name field.
Click **OK**.

Next, we create the boundary sketch to define our mass. This is the footprint for the conceptual building.

7.  Select the **Line** tool located under the Draw panel.

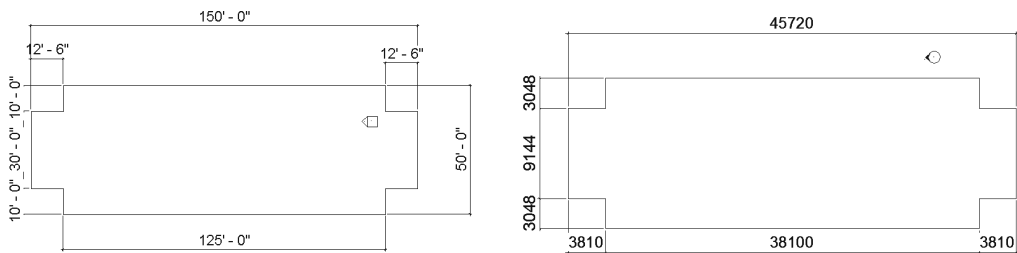
8. 

Enable **Chain** in the Options bar.

This allows you to draw lines without always having to pick the start point.

If you hold down the SHIFT key while you draw, this puts you in orthogonal mode.


9. Create the shape shown.
The left figure shows the units in Imperial units (feet and inches).
The right figure shows the units in millimeters.



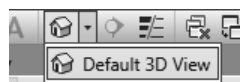
You can draw using listening dimensions or enter the dimension values as you draw.

For feet and inches, you do not need to enter the ' or " symbols. Just place a space between the numbers.

Revit doesn't have a CLOSE command for the LINE tool unlike AutoCAD, so you do have to draw that last line.

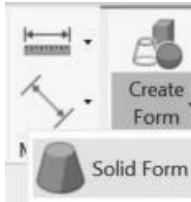
10. Exit out of drawing mode by right clicking and selecting Cancel twice, selecting ESC on the keyboard or by selecting the Modify button on the ribbon.
11.  Switch to a 3D view.
Activate the **View** ribbon and select **3D View**.

You can also switch to a 3D view from the Quick Access toolbar by selecting the house icon.



12. Window around the entire sketch so it is highlighted.

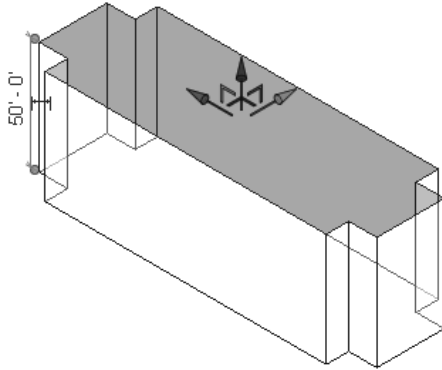
13. Select **Form**→**Create Form**→**Solid Form**.



You must select the sketch to create the form.

If the sketch has any gaps, overlapping lines, or self-intersecting lines, you will get an error. Exit the command and inspect the sketch to make sure it is a cleanly closed polygon.

- 14.



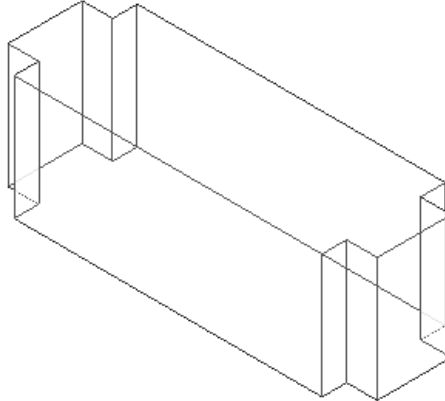
An extrusion distance is displayed.
This can be edited, if desired.

- 15.



Select the green check box to **Finish Mass**.

The Mass is created.



16. Save the file as *ex2-3.rvt*.



Object tracking will only work if the sketch objects are active and available in the current sketch. You can use Pick to copy entities into the current sketch.

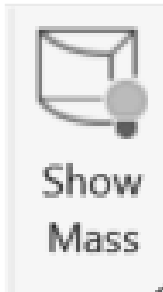
Exercise 2-4**Modifying Mass Elements**

Drawing Name: modify mass.rvt

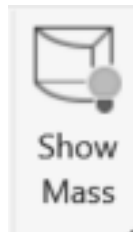
Estimated Time: 30 minutes

This exercise reinforces the following skills:

- Show Mass
- Align
- Modify Mass
- Mirror
- Create Form
- Save View

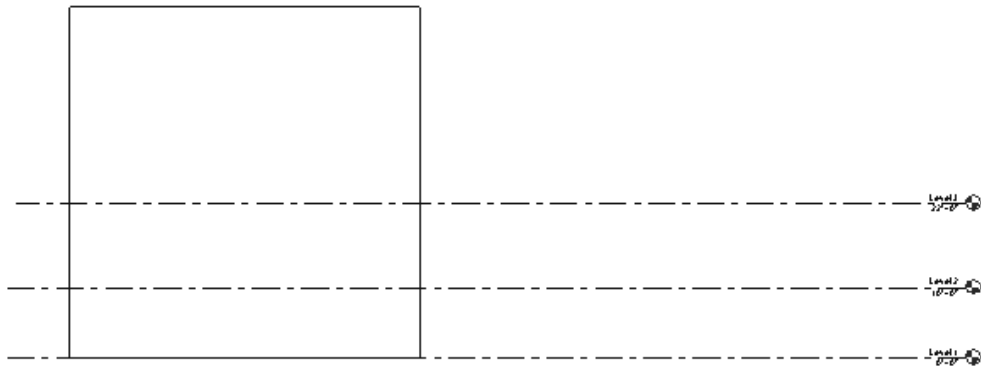
1. Open *modify mass.rvt*.2. If you don't see the mass, use **Show Mass** on the Massing & Site ribbon to turn mass visibility ON.

Some students may experience this issue if they close the file and then re-open it for a later class.

3. Activate the **East** Elevation.

*Remember if you don't see the mass, use **Show Mass** on the Massing & Site ribbon to turn mass visibility ON.*

4. We see that top of the building does not align with Level 3.

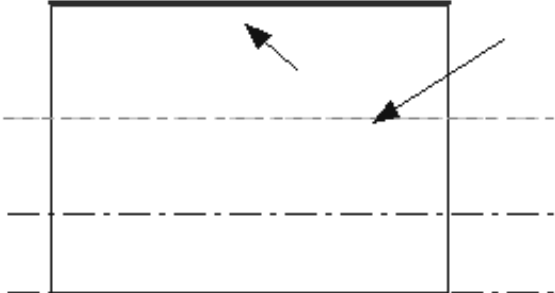


To adjust the horizontal position of the level lines, simply select the line and use the grip to extend or shorten it.

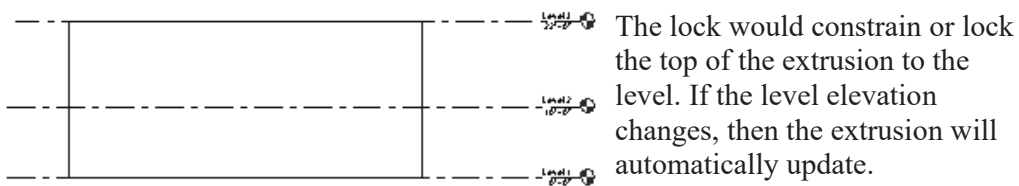
5.  Select the **Modify** Ribbon.

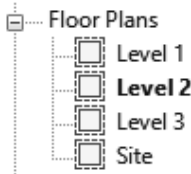
6.  Select the **Align** tool.

When using *Align*, the first element selected acts as the source, and the second element selected shifts position to align with the first element.

7.  Select the top level line (Level 3) then select the top of the extrusion.
Right click and select **Cancel** twice to exit the Align command.

8. The top of the extrusion now aligns to Level 3.



9.  **Floor Plans** Activate **Level 2** under Floor Plans.

10.  Select **In-Place Mass** from the Massing & Site ribbon.

In-Place
Mass

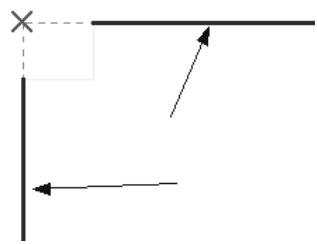
11.  Name the new mass **Tower**.

Name: Tower

Click **OK**.

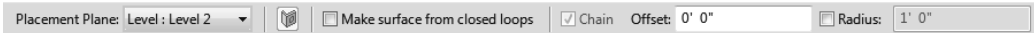
12.  You can use object tracking to locate the intersection between the two corners.


To activate object tracking, enable the **Pick Lines** tool located under Draw. Then select the two lines you want to align with.

13.  Select the two lines indicated to be used for object tracking to locate the center of the circle.

Click ESC or CANCEL to exit the Pick Lines command.

14.  Select the **Circle** tool under Draw.

15.  Uncheck Make surface from closed loops on the Options bar. Enable Chain.

16.  When you see the large X and the tooltip says Intersection, you will have located the intersection.

Pick to locate the center of the circle at the intersection.

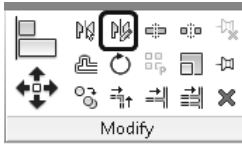
17.  Enter a radius of **16'-0" [4880]**.

Cancel out of the command.

When you used the Pick Line tool, you copied those lines into the current sketch. Once the lines were part of the current sketch, they could be used for object tracking.

18. Select the circle sketch so it is highlighted.

19.



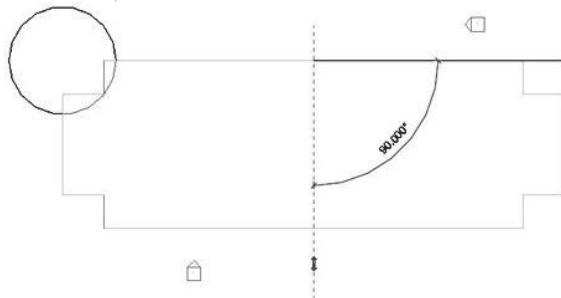
Select the **Draw Mirror Axis** tool on the Modify panel.

20.



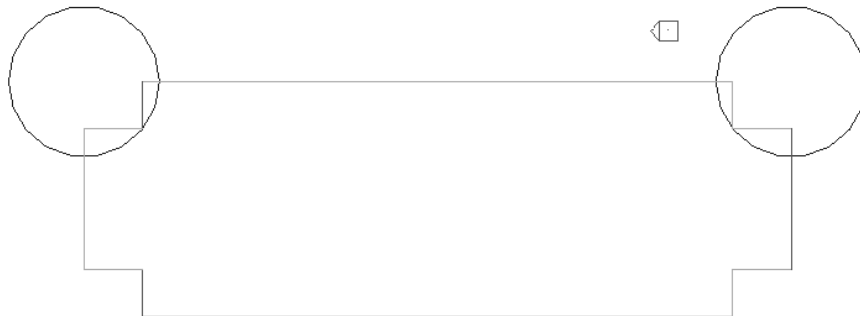
Locate the midpoint of the small horizontal line and pick.

21.



Bring your mouse down in the Vertical direction and pick for the second point of the mirror axis.

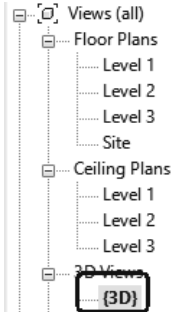
22.



The circle sketch is mirrored.

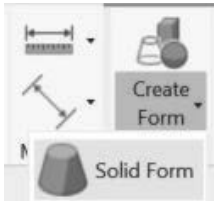
Left click to release the selection.

23.



Switch to a 3D view using the Project Browser.

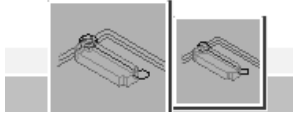
24.



Select **one** of the circles so it is highlighted.
Remember you can only extrude one closed polygon at a time.

Select **Form**→**Create Form**→**Solid Form**.

25.

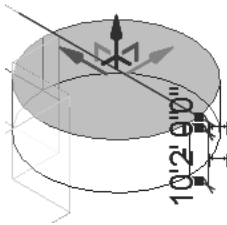


A small toolbar will appear with two options for extruding the circle.

Use the SPACE BAR to cycle through the different forms.

Click ENTER to select the option that looks like a cylinder or right click the mouse.

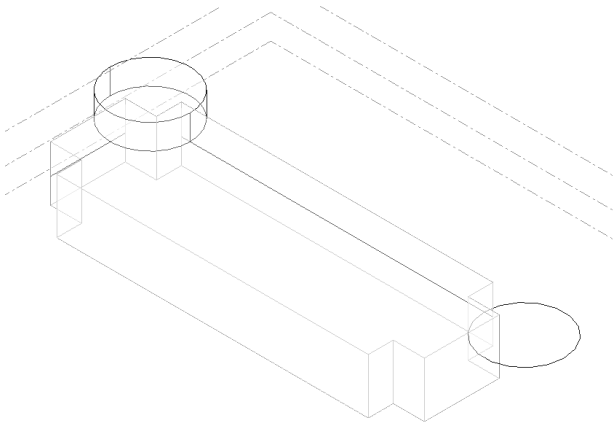
26.



A preview of the extrusion will appear with the temporary dimension. You can edit the temporary dimension to modify the height of the extrusion.

Click ENTER or left click to accept the default height.

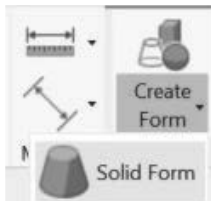
27.



If you click ENTER more than once, additional cylinders will be placed.

The circle is extruded.

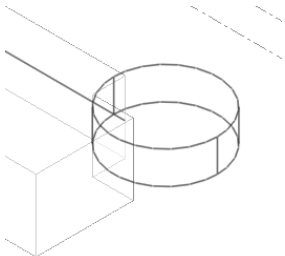
28.



Select the remaining circle so it is highlighted.

Select **Form**→**Create Form**→**Solid Form**.

29.

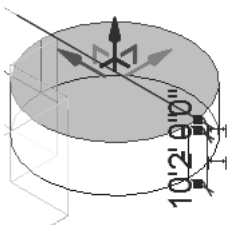


A small toolbar will appear with two options for extruding the circle.

Use the SPACE BAR to cycle through the different forms.

Click ENTER to select the option that looks like a cylinder or right click the mouse.

30.



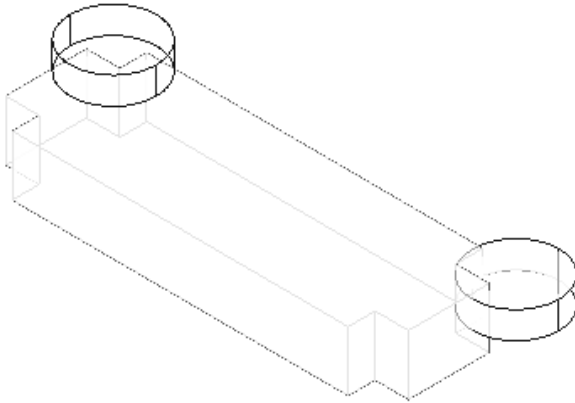
A preview of the extrusion will appear with the temporary dimension. You can edit the temporary dimension to modify the height of the extrusion.

Click ENTER or left click to accept the default height.

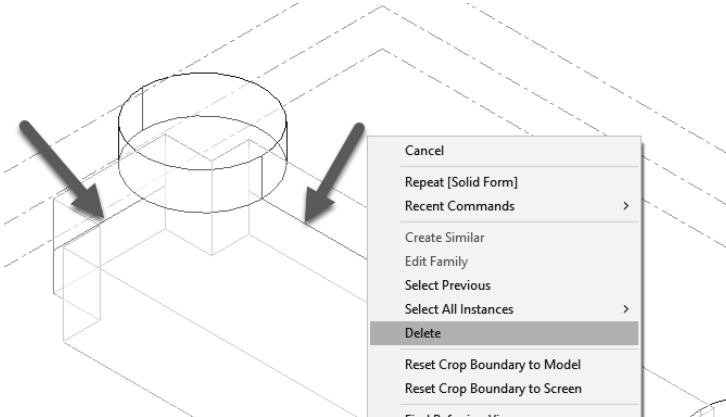
If you click ENTER more than once, you will keep adding cylinders.

Click ESC or right click and select CANCEL to exit the command.

Both circles are now extruded.



31.



Select the two lines used to locate the circle sketch.

Right click and select **Delete** from the shortcut menu to delete the lines.

You can also click the Delete key on the keyboard or use the Delete tool on the Modify panel.

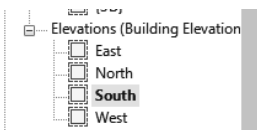
32.



Select **Finish Mass**.

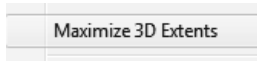
If you do not delete the lines before you finish the mass, you will get an error message.

33.



Activate the **South** Elevation.

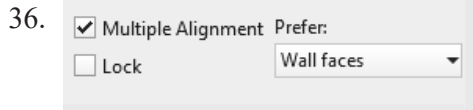
34. Select each level line.



Right click and select **Maximize 3D Extents**.
This will extend each level line so it covers the entire model.

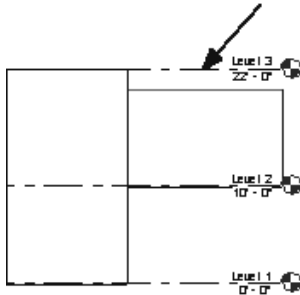
35.  Activate the Modify ribbon.

Select the **Align** tool from the Modify Panel.

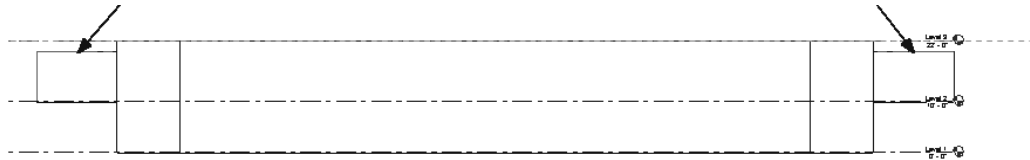


On the ribbon, enable **Multiple Alignment**.
Select **Wall faces** from the drop down list.


37. Select the Level 3 line as the source object.



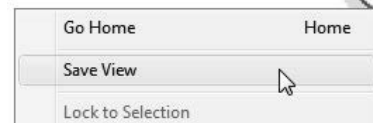
38. Select the top of the two towers as the edges to be shifted.
Right click and select CANCEL twice to exit the command or click ESC.



39.  Switch to a 3D view using the Project Browser.

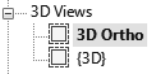
40.  Use the ViewCube located in the upper right of the screen to orbit the model.

41. To save the new orientation, right click on the ViewCube and select **Save View**.



42.  Enter **3D Ortho** for the name of the view.

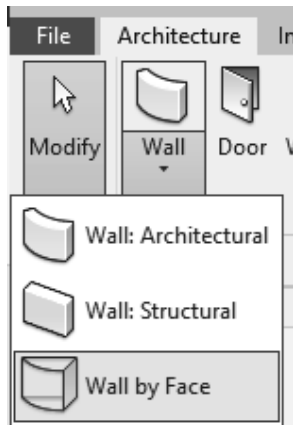
Click **OK**.

43.  The **Saved** view is now listed in the Project browser under 3D Views.
44. Save the file as *ex2-4.rvt*.



- Pick a mass element to activate the element's grips. You can use the grips to change the element's shape, size, and location.
- You can only use the **View→Orient** menu to activate 3D views when you are already in 3D view mode.

Wall by Face



This tool can be used to place walls on non-horizontal faces of a mass instance or a generic model.

If you modify the mass, the wall will not update. To update the wall, use the **Update to Face** tool.

Exercise 2-5**Create Wall by Face**

Drawing Name: wall by face.rvt

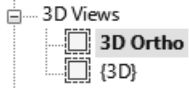
Estimated Time: 15 minutes

This exercise reinforces the following skills:

- Wall by Face
- Trim
- Show Mass

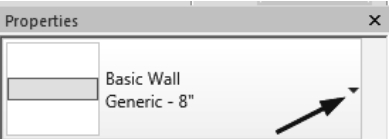
You can add doors and windows to your conceptual model to make it easier to visualize.

1. Open *wall by face.rvt*.

2.  Activate the **3D Ortho** view under 3D Views.

3.  Activate the **Massing & Site** ribbon.

4.  Select **Model by Face**→**Wall**.

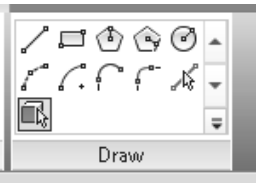
5.  Note the wall type currently enabled in the Properties pane. A different wall type can be selected from the drop-down list available using the small down arrow.

Imperial:

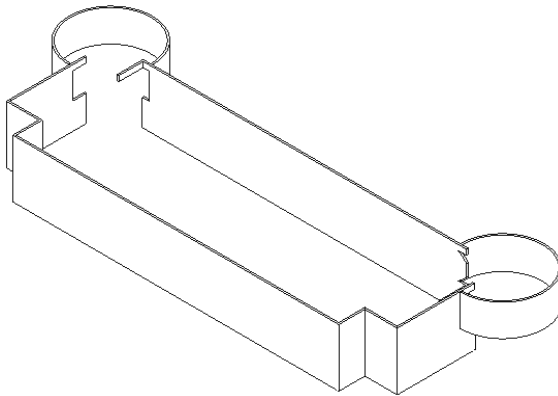
Set the Default Wall Type to:
Basic Wall: Generic- 8".

Metric:

Set the Default Wall Type to:
Basic Wall: Generic- 200 mm.

6.  Enable **Pick Faces** from the Draw Panel on the ribbon.

7.



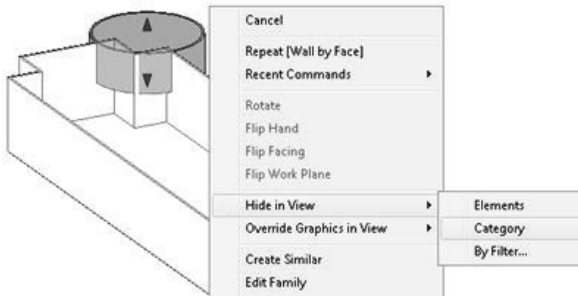
Select each wall and cylinder.
The cylinder will be halved by the walls, so you will have to select each half.

You will have to do some cleanup work on the corners where the towers are.

Right click and select CANCEL to exit the command.

Some students will accidentally pick the same face more than once. You will see an error message that you have overlapping/duplicate walls. Simply delete the extra walls.

8.



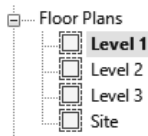
Select any visible mass.
Right click and select **Hide in View** → **Category**.

This will turn off the visibility of masses.



You can also disable Show Mass on the ribbon.

9.



Activate **Level 1** floor plan.

10.



Window around all the walls to select.

11.



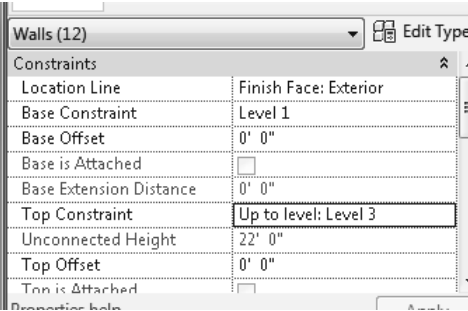
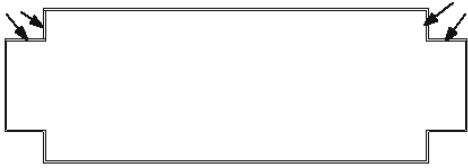
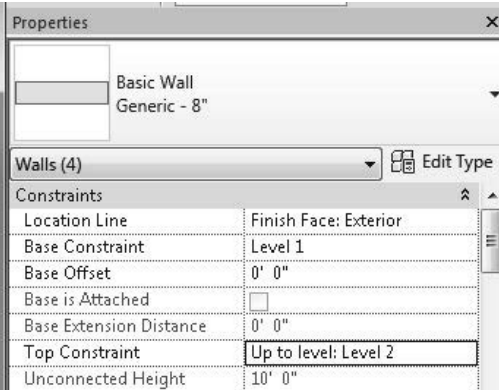
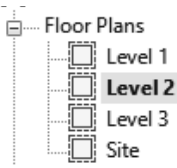
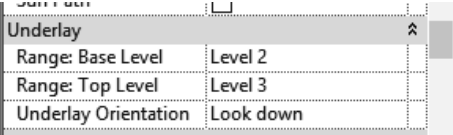
Select the **Filter** tool from the ribbon.

12.



Uncheck all the boxes EXCEPT walls.
Click **OK**.

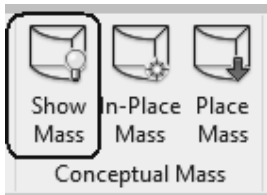
There are some duplicate walls in this selection.

13.  In the Properties pane:
Set the Top Constraint to **up to Level 3**.
Right click and select Cancel to release the selection or left click in the display window to release the selection.
14.  Hold down the Ctrl Key.
Select the four walls indicated.
15.  In the Properties pane:
Set the Top Constraint to **Up to Level 2**.
Right click and select Cancel to release the selection or left click in the display window to release the selection.
16.  Activate **Level 2** under Floor Plans.
17.  In the Properties Pane:
Go to the **Underlay** category.
Set the Range Base Level to **Level 2**.
Set the Range Top Level to **Level 3**.
Set the Underlay orientation to **Look down**.

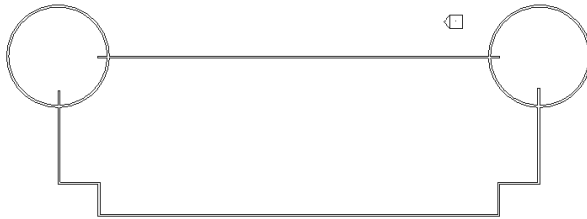
This will turn off the visibility of all entities located below Level 2.

Each view has its own settings. We turned off the visibility of masses on Level 1, but we also need to turn off the visibility of masses on the Level 2 view.

18.

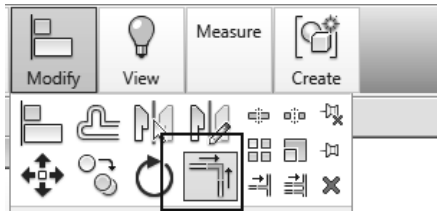


On the Massing & Site ribbon: Toggle the Show Mass tool to turn the visibility of masses OFF.



The view should look like this with the visibility of masses turned off.

19.

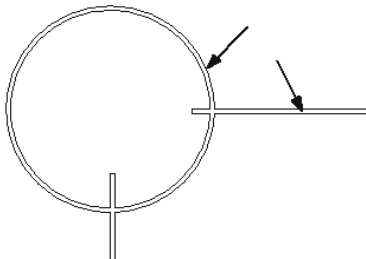


Activate the Modify ribbon.

Select the **Trim** tool from the Modify ribbon to clean up where the tower joins with the walls.

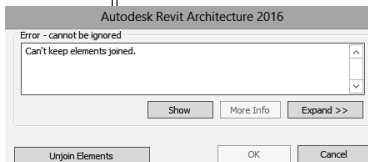
20. When you select to trim, be sure to select the section you want to keep.

21.



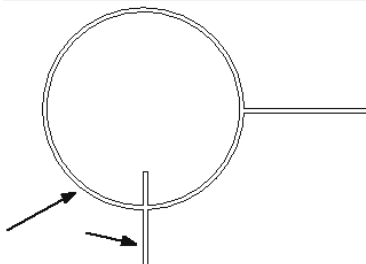
Select the arc and wall indicated.

22.



If you see this dialog, click the **Unjoin Elements** button and proceed.

23.

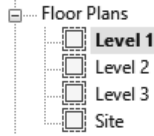


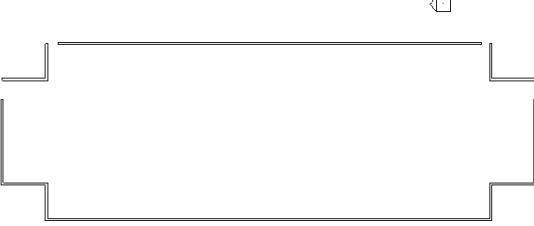
Select the arc and wall indicated.


Select the first line or wall to trim/extend. (Click on the part you want to keep)

Note that you have some instructions in the lower left of the screen to assist you.

24.  Trim the walls as shown on Level 2.

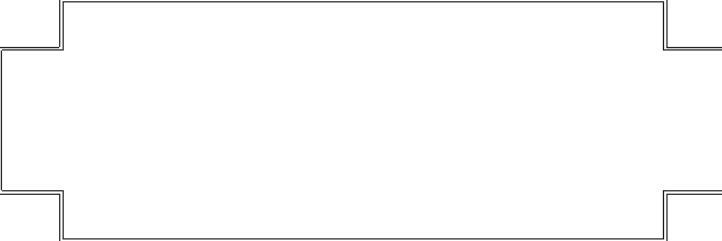
25.  Activate Level 1.

26.  On Level 1, you should only see the walls with no towers.
There are some small gaps where the towers overlap.
*If you see the mass, select it, right click and select **Hide in View**→**Elements**.*

27.  Activate the Architecture ribbon.
Select the **Wall** tool on the Build Pane.

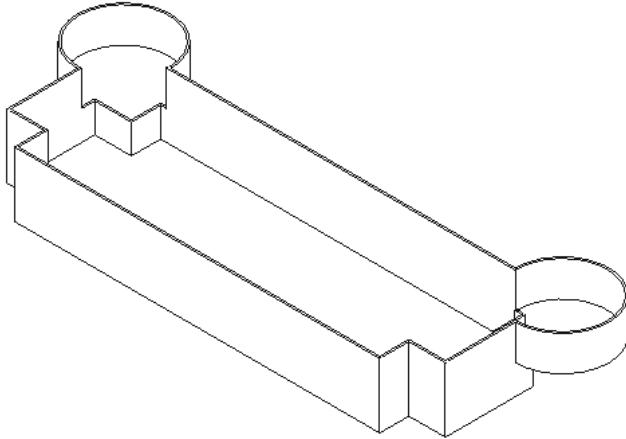
28.  On the Options bar:
Set the Height to **Level 2**.

29.  Disable **Chain**.

30.  Close the gaps and trim as needed.

Cancel out of the command.

31. Switch to a 3D view and orbit your model.



Check to make sure the walls and towers are adjusted to the correct levels.

Turn off the visibility of masses to see the walls.

32. Save as *ex2-5.rvt*.

Exercise 2-6
Adding Doors and Windows

Drawing Name: doors and windows.rvt
 Estimated Time: 30 minutes

This exercise reinforces the following skills:

- Basics
- Door
- Load from Library
- Window
- Array
- Mirror
- Shading

You can add doors and windows to your conceptual model to make it easier to visualize.

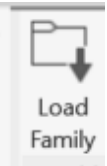
1. Open *doors and windows.rvt*.

2.  Activate **Level 1** under Floor Plans.

3.  Level 1 should appear like this.

4.  Activate the **Architecture** ribbon.

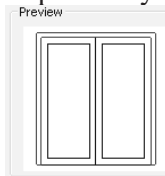
5.  Select the **Door** tool under the Build panel.
 Door

6.  Select **Load Family** under the Mode panel.
Doors are loadable families.

7.

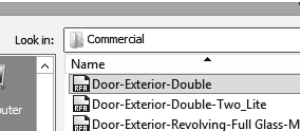


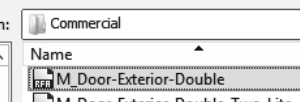
Browse to the **Doors** folder under the Imperial or Metric library – use English-Imperial if you are using Imperial units or use English if you are using Metric units.



As you highlight each file in the folder, you can see a preview of the family.

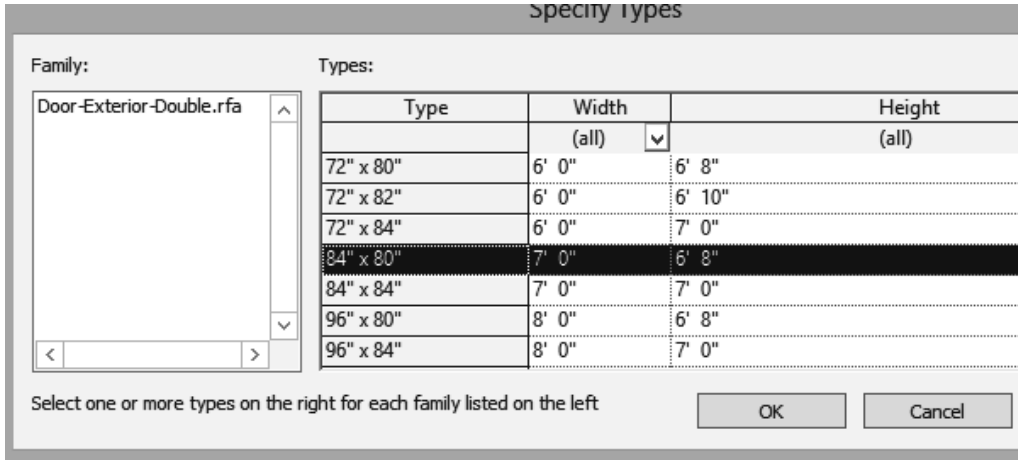
Note that the files are in alphabetical order.

8.  For Imperial Units: Go to the Commercial folder. Locate the *Door-Exterior-Double.rfa* file.

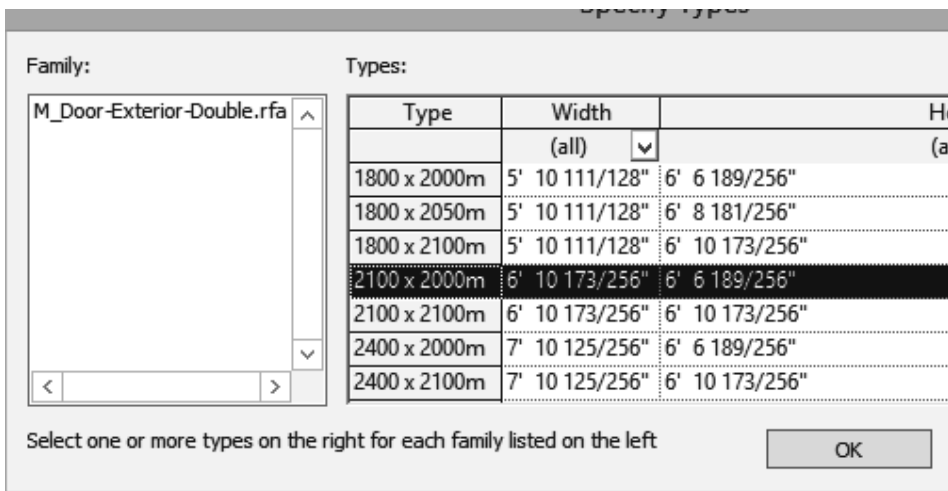
 For Metric Units: Go to the Commercial folder. Locate the *M_Door-Exterior-Double.rfa* file.

Click **Open**.

9.

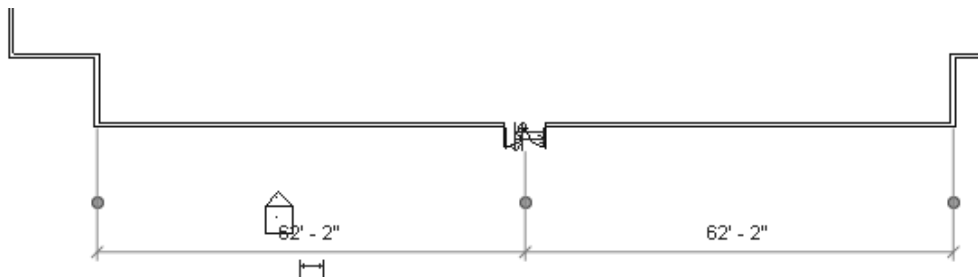


For Imperial Units: Highlight the **84" x 80"** type and click **OK**.



For Metric Units: Highlight **2100 x 2000m** type and click **OK**.

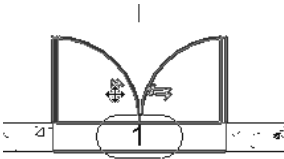
10.



Place the door so it is centered on the wall as shown.

Doors are wall-hosted, so you will only see a door preview when you place your cursor over a wall.

Right Click and **CANCEL** to exit the command.

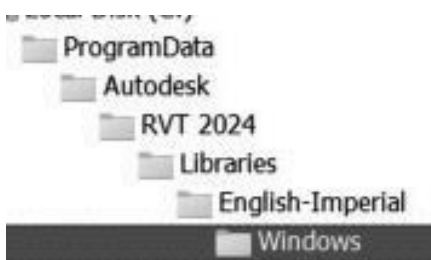
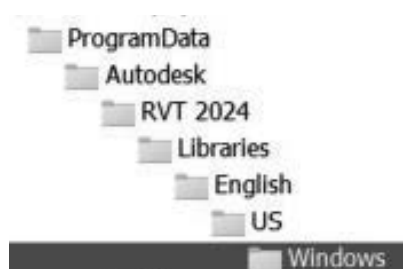
11.  If you click the space bar before you pick to place, you can control the orientation of the door.

After you have placed the door, you can flip the door by picking on it then pick on the vertical or horizontal arrows.

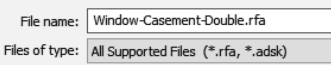
12.  Pick the **Window** tool from the Build panel.

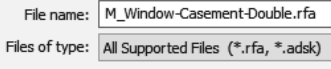
Windows are model families.

13.  Select **Load Family** from the Mode panel.

14.  

Browse to the **Windows** folder under the Imperial or Metric library – use English-Imperial if you are using Imperial units or use English if you are using Metric units.

15.  For Imperial Units:
Locate the *Window-Casement-Double.rfa* file.

-  For Metric Units:
Locate the *M_Window-Casement-Double.rfa* file.

Click **Open**.

16.  For Imperial Units:

Select the 48” x 24” type window to be loaded.

-  For Metric Units:

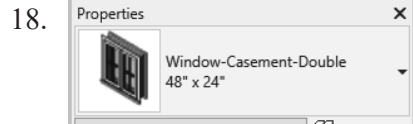
From the Type Selector drop-down list, select the 1400 x 600mm size for the *M_Window-Casement-Double* window.

17. The family is already loaded in the project but doesn't have this size. Select the second option to add the additional type.

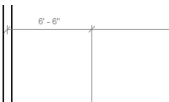
You are trying to load the family Window-Casement-Double, which already exists in this project. What do you want to do?

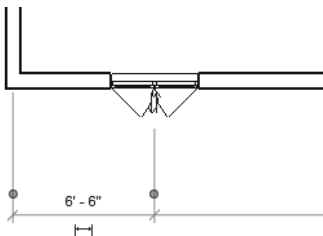
→ Overwrite the existing version


→ Overwrite the existing version and its parameter values




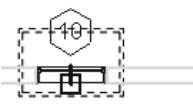

Verify that the correct window type is selected in the Type Selector on the Properties pane.

19.  Place the window **6'-6" [3000 mm]** from the inner left wall.
Right click and select **Cancel** to exit the command.

20.  The arrows appear on the exterior side of the window. If the window is not placed correctly, left click on the arrows to flip the orientation.

21.  Select the window so it highlights.

22.  Select the **Array** tool under the Modify panel.

23.  Select the midpoint of the window as the basepoint for the array.


24.



Enable **Group and Associate**. This assigns the windows placed to a group and allows you to edit the array.

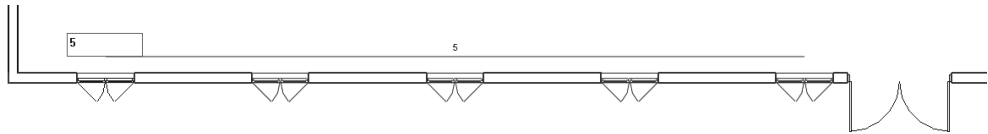
Set the array quantity to **5** on the options bar located on the bottom of the screen. Enable **Last**.

Enable **Constrain**.

Enabling Constrain ensures that your elements are placed orthogonally.

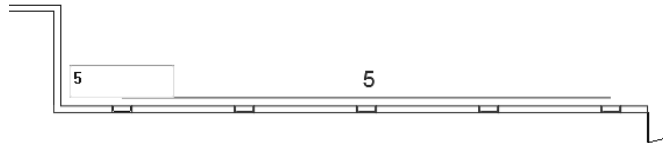
Array has two options. One option allows you to place elements at a set distance apart. The second option allows you to fill a distance with equally spaced elements. We will fill a specified distance with five elements equally spaced.

25.



Pick a point **49'-0" [14,935.20]** from the first selected point to the right.

26.



You will see a preview of how the windows will fill the space.

Click **ENTER** to accept.

Cancel out of the command.

27.



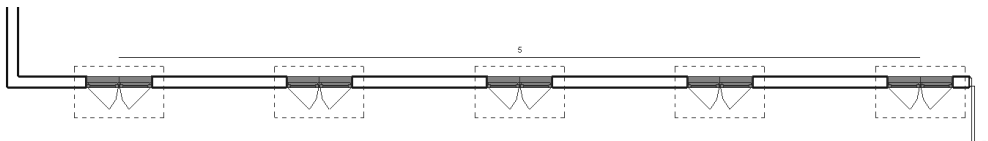
Select the **Measure** tool on the Quick Access toolbar.

28.



Check the distance between the windows and you will see that they are all spaced equally.

29.



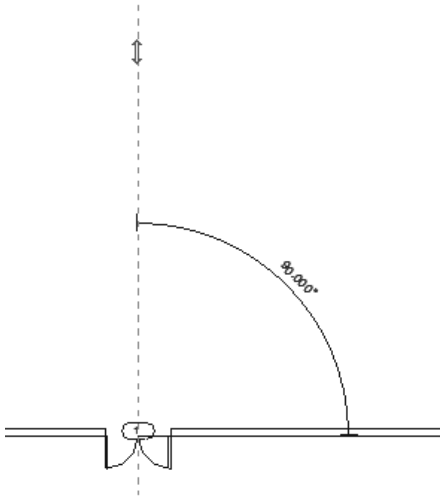
Window around the entire array to select all the windows.

The array count will display.

30.  Use the **Mirror→Draw Mirror Axis** tool to mirror the windows to the other side of the wall opposite the door.

31. Select the center of the door as the start point of the mirror axis.

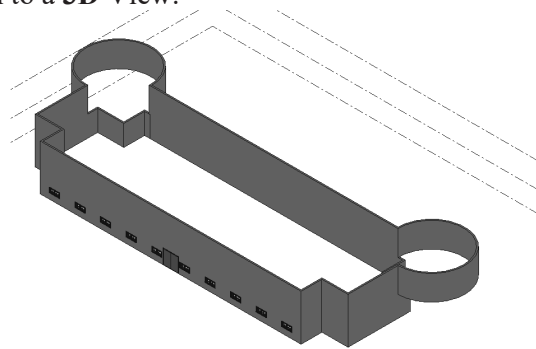
Move the cursor upwards at a 90 degree angle and pick a point above the door.



32. Left pick anywhere in the graphics window to complete the command.

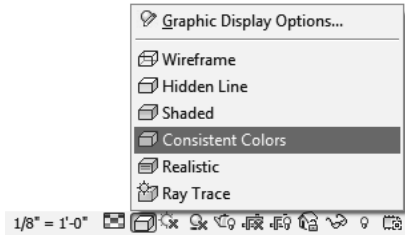
You will get an error message, and the windows will not array properly if you do not have the angle set to 90 degrees or your walls are different lengths.

33.  Switch to a **3D View**.



34.  Set the Model Graphics Style to **Consistent Colors**.

We have created a conceptual model to show a client.



35. Save the file as *ex2-6.rvt*.

Exercise 2-7**Creating a Conceptual Mass**

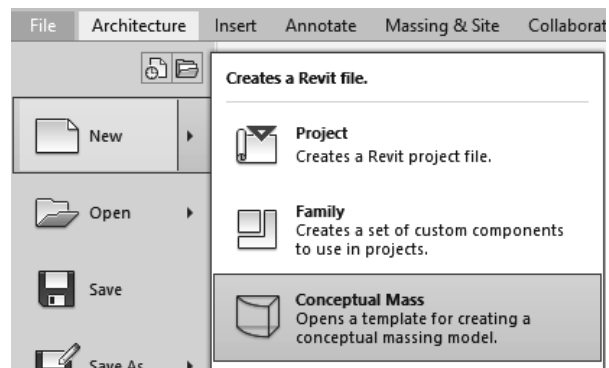
Drawing Name: New Conceptual Mass

Estimated Time: 60 minutes

This exercise reinforces the following skills:

- Masses
- Levels
- Load from Library
- Aligned Dimension
- Flip Orientation

1. Close any open files.
2. Use the Application Menu and go to **New**→**Conceptual Mass**.



3.
 A screenshot of a file explorer window showing the following folder structure: ProgramData > Autodesk > RVT 2024 > Family Templates > English-Imperial > Conceptual Mass. The 'Conceptual Mass' folder is selected and highlighted.

Browse to the *Conceptual Mass* folder under *Family Templates\English-Imperial*.

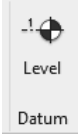
4.
 A screenshot of the file explorer window showing the 'Conceptual Mass' folder selected. Below the folder name, there is a table with a 'Name' column. The file 'Mass.rft' is listed with a checked checkbox in the first column, indicating it is selected.

Select the **Mass** template.

Click **Open**.

5.  Activate the **South Elevation**.

You don't see the icons for the views because we are working in a family file. The family will be used in a project.

6.  On the Create ribbon, select the **Level** tool.

7.  Place a Level 2 at **50' 0"**.

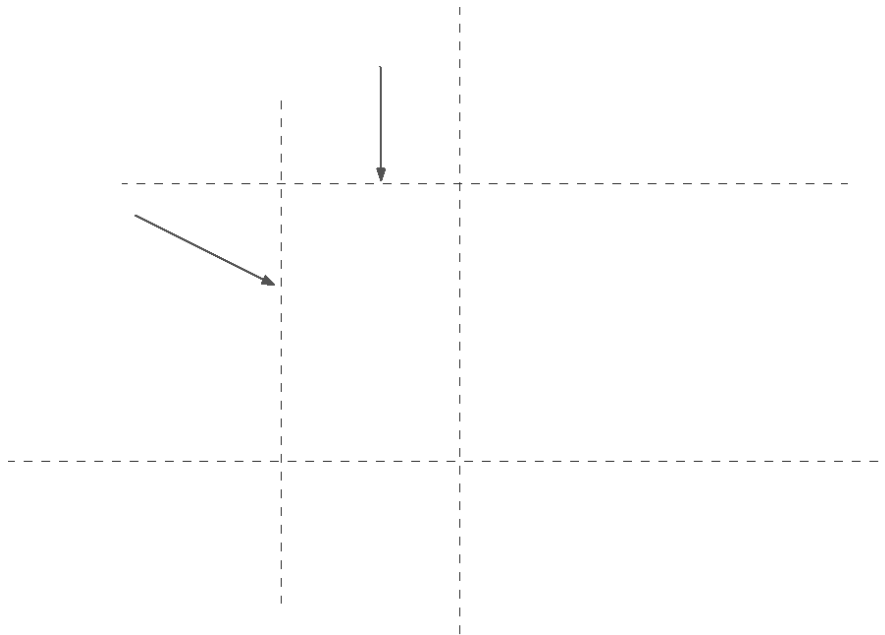
You can type in 50 as a listening dimension to position the level or place the level, then modify the elevation value by selecting the dimension.

8.  Activate the **Level 1** floor plan.

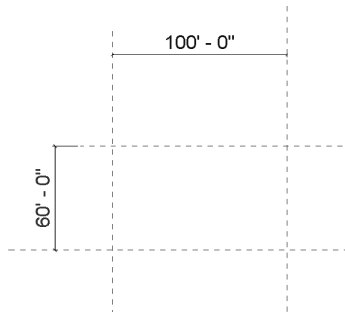
9.  Activate the Create ribbon.

Select the **Plane** tool from the Draw panel.

10. Draw a vertical plane and a horizontal plane to form a box.



11.



Use the ALIGNED DIMENSION tool to add dimensions to the reference planes.



To modify the dimensions, select the plane, then modify the temporary dimension. The permanent dimension will automatically update.

Set the horizontal dimension to 100' 0" overall.

Set the vertical dimension to 60' 0" overall.

Remember the permanent dimensions are driven by the values of the temporary dimensions. To set the temporary dimension values, select the reference planes. The planes you placed are unlocked – so their dimensions can be changed.

12.



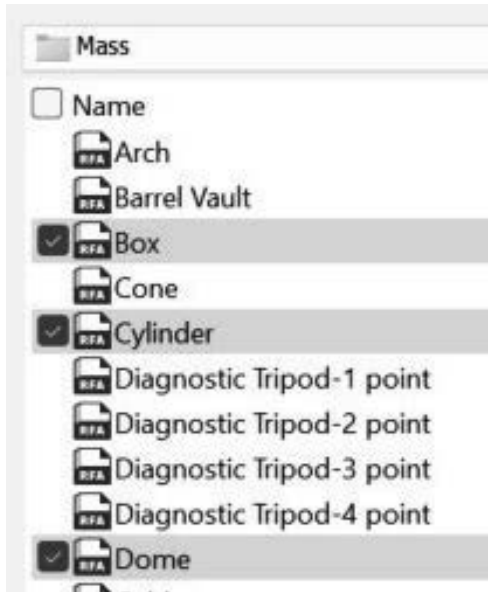
Activate the Insert ribbon.

Select Load Family from **Library**→**Load Family**.

13. Browse to the **Mass** folder.



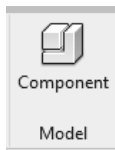
14. Hold down the CTRL Key and select the *Dome*, *Box*, and *Cylinder* files.



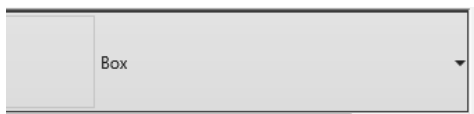
Click **Open**.

Notice that the file names are alphabetized.

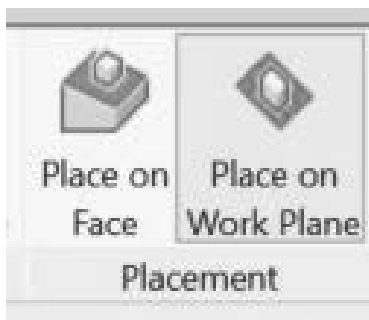
15. Activate the Create ribbon.
Select the **Component** tool on the Model panel.



16. Select the **Box** component using the Type Selector.



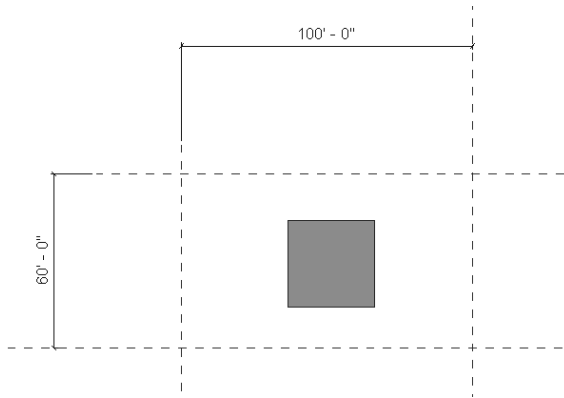
17. Select **Place on Work Plane** on the Placement panel.



18. Set the Placement Plane to **Level 1**.



19.



Place the box in the view.

Right click and select **Cancel** twice to escape the command.

20.



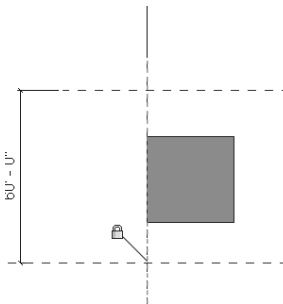
Select the **ALIGN** tool from the Modify panel.

21.



Disable **Multiple Alignment** on the Options bar. Enable **Lock**.

22.

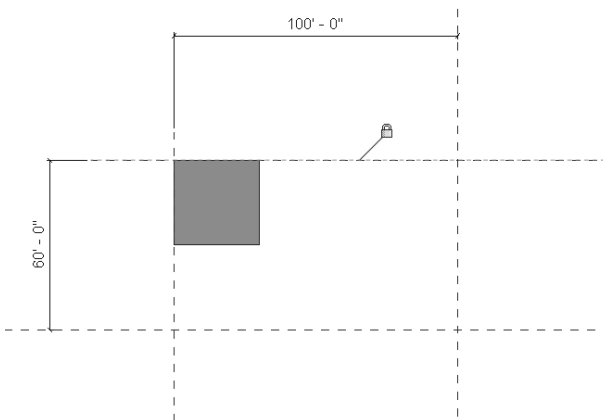


Select the reference plane on the left.

Select the left side of the box.

Notice that a lock is automatically placed.

23.



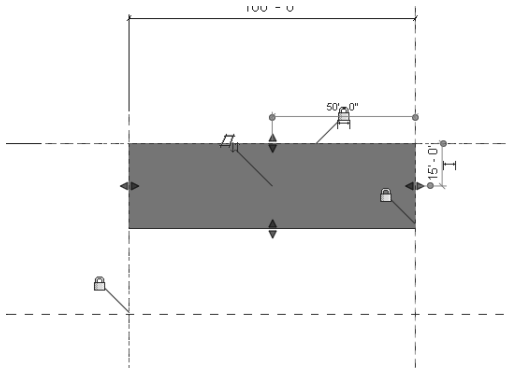
Select the reference plane on the top.

Select the top side of the box.

Notice that a lock is automatically placed.

Right click and select **Cancel** to exit the **ALIGN** command.

24.

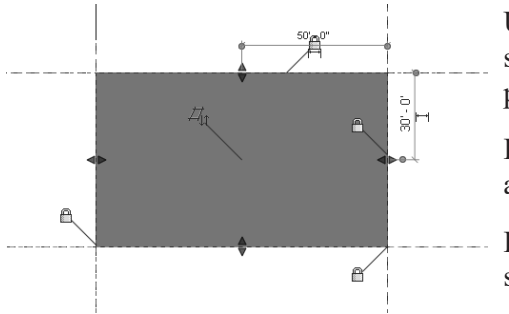


Left click on the box to select it.

Use the right grip to drag the right side of the box to the right reference plane.

Left click on the lock to fix the alignment.

25.

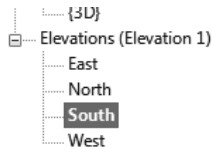


Use the bottom grip to drag the bottom side of the box to the right reference plane.

Left click on the lock to fix the alignment.

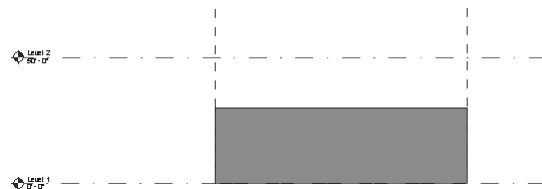
Left click in the window to release the selection.

26.



Activate the South Elevation.

27.



The box height is not aligned to Level 2.

28.



Switch to a 3D view.

Select the box.

29.



Change the Height to 50' 0" in the Properties pane.

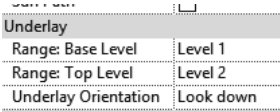
Click the **Apply** button.

Click ESC to release the box selection or left click anywhere in the window.

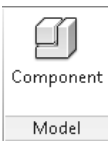
30.




Activate the **Level 2** floor plan.

31.  With Level 2 highlighted, scroll down the Properties pane to the Underlay category. Set the Range: Base Level to **Level 1**.
- | | |
|----------------------|-----------|
| Underlay | |
| Range: Base Level | Level 1 |
| Range: Top Level | Level 2 |
| Underlay Orientation | Look down |

If you don't set the underlay correctly, you won't see the box that was placed on Level 1.

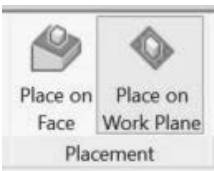
32.  Activate the Create ribbon. Select the **Component** tool on the Model panel.

33.  Select the **Cylinder** component using the Type Selector.

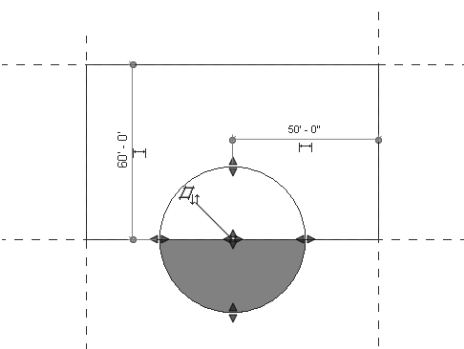
34.  In the Properties Pane:
Set the Radius to **25' 0"**.
Set the Height to **5' 0"**.
- | | |
|-------------------|--------|
| Dimensions | |
| Radius | 25' 0" |
| Height | 5' 0" |


If you need to adjust the position of the cylinder: Set the Offset to -5' 0".

This aligns the top of the cylinder with the top of the box.

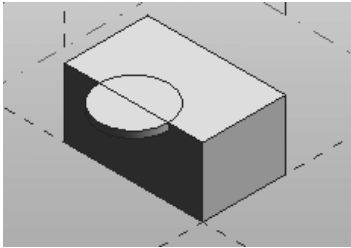
35.  Select **Place on Work Plane** on the Placement panel.

36.  Set the Placement Plane to **Level 2**.

37.  Place a cylinder at the midpoint of the bottom edge of the box. Right click and select **Cancel** twice to escape the command.

38.  Switch to a 3D View.

39.



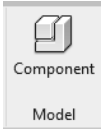
You should see the box as well as the cylinder.

40.



Activate **Level 2**.

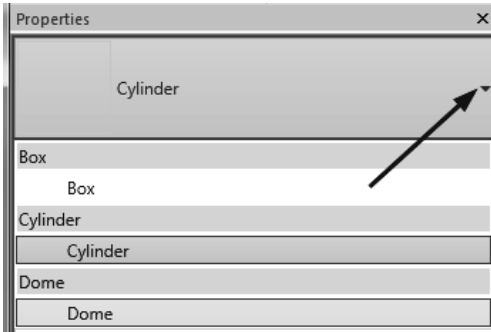
41.



Activate the Create ribbon.

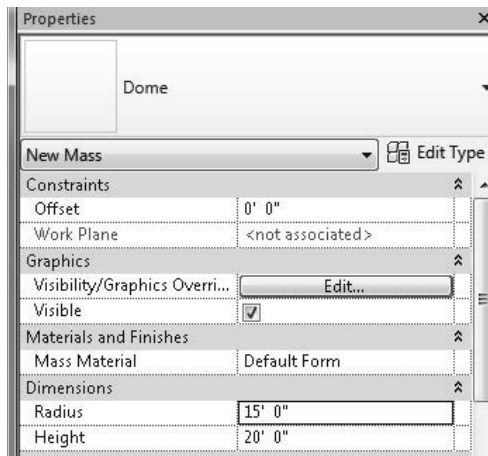
Select the **Component** tool on the Model panel.

42.



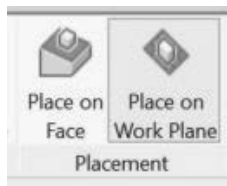
Select the **Dome** component using the Type Selector.

43. In the Properties Pane:



Set the Radius to **15' 0"**.
Set the Height to **20' 0"**.

44.



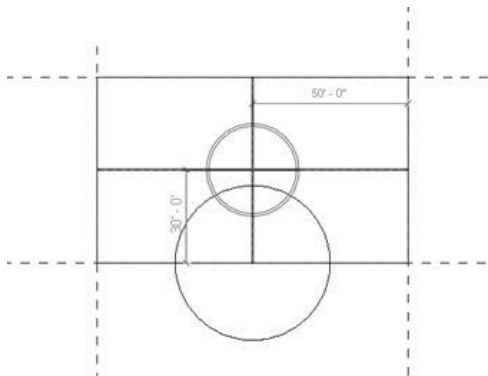
Select **Place on Work Plane** on the Placement panel.

45.



Set the Placement Plane to **Level 2**.

46.



Place the dome so it is centered on the box.

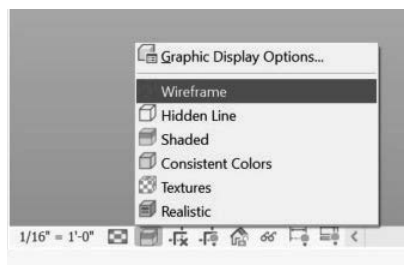
Right click and select Cancel twice to exit the command.

47.



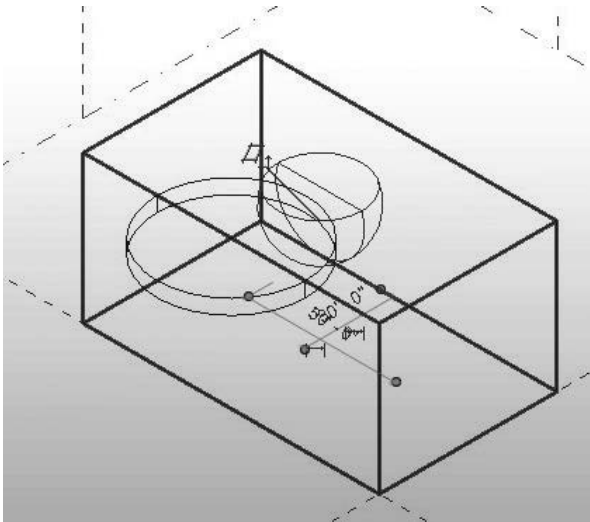
Switch to a 3D View.

48.



Switch to a **Wireframe** display.

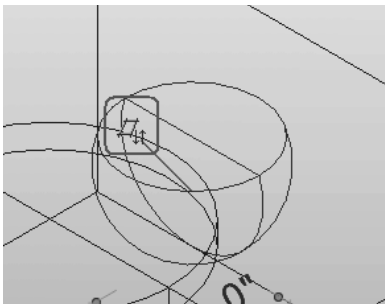
49.



The dome is upside down.

Select the dome.

50.



Left click on the orientation arrows to flip the dome.

51. In the Properties pane:

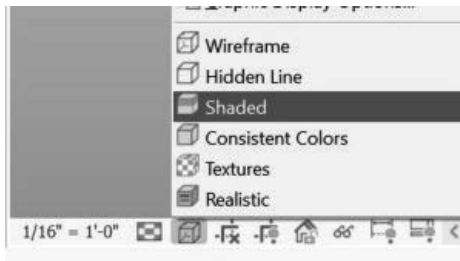
Dimensions	
Radius	30' 0"
Height	15' 0"

Change the Radius to **30' 0"**.

Change the Height to **15' 0"**.

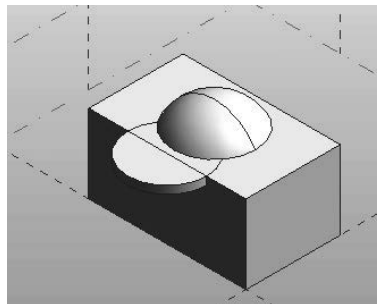
Click **Apply**.

52.



Change the display back to **Shaded**.

53. Save as *ex2-7.rfa*.



Exercise 2-8 Using a Conceptual Mass in a Project

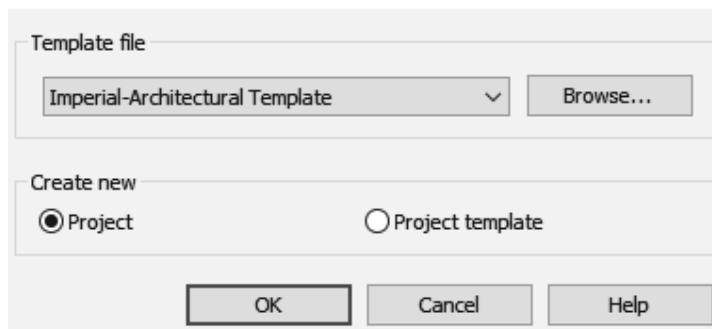
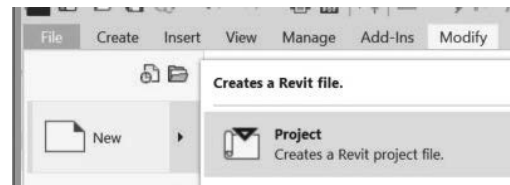
Drawing Name: New
Estimated Time: 30 minutes

This exercise reinforces the following skills:

- Masses
- Load from Library
- Edit Family
- Update to Face
- Visibility/Graphics

1. Close any open files.

Use the Application Menu and go to **New→Project**.



Click **OK** to accept the Imperial-Architectural Template.

2.  Type **VV** to launch the Visibility/Graphics dialog.

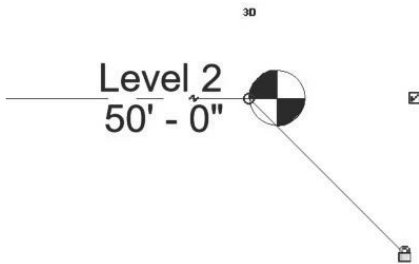
If this doesn't work, remember you can assign the shortcut using Keyboard Shortcuts under User Interface on the View ribbon.

Enable **Mass** visibility on the Model Categories tab.

Click **OK**.

3.  Switch to a **South** Elevation.

4. Set Level 2 to **50' 0"**.

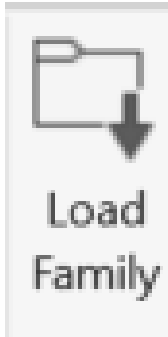


To change the dimension value, just left click on the dimension and type the new dimension.

Click ESC to release any selection.

5.  Activate **Level 1** floor plan.

6. Activate the **Insert** Ribbon.



Select **Load Family** from the Load from Library panel.

7.  Locate *conceptual model.rfa*.

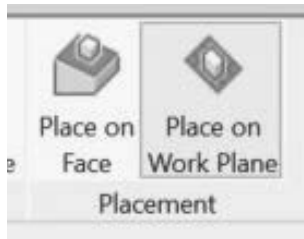
This is one of the downloaded files from the publisher's website.

Click **Open**.

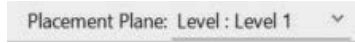
8.  Activate the Architecture ribbon.

Select **Component**→**Place a Component** from the Build panel.

9. Select **Place on Work Plane** from the Placement panel.



10. Set the Placement Plane to **Level 1**.



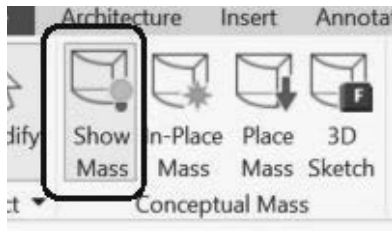
11. Click to place the mass in the view.
 Right click and select **Cancel** to exit the command.



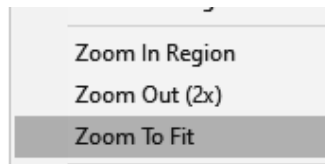
12. Switch to a 3D view.



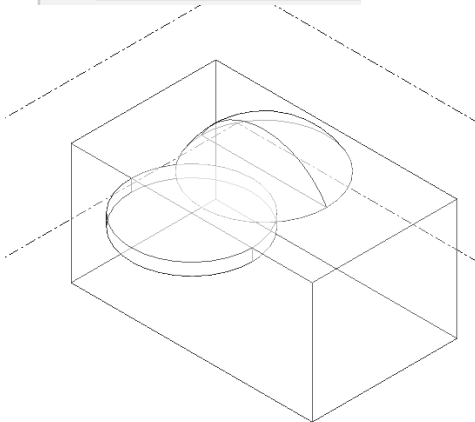
13. Switch to the **Massing & Site** ribbon. Enable **Show Mass**.



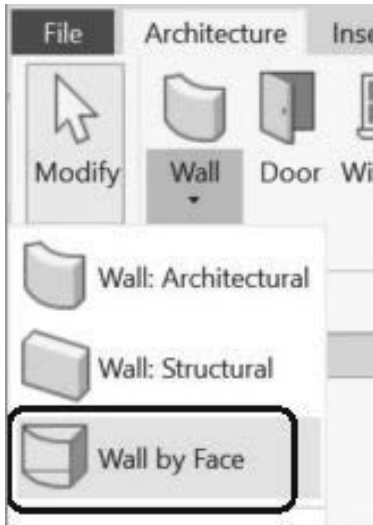
14. Right click and select **Zoom to Fit** to see the placed mass family.



Notice that visibility settings are view-specific. Just because you enabled mass visibility in one view does not mean masses will be visible in all views.



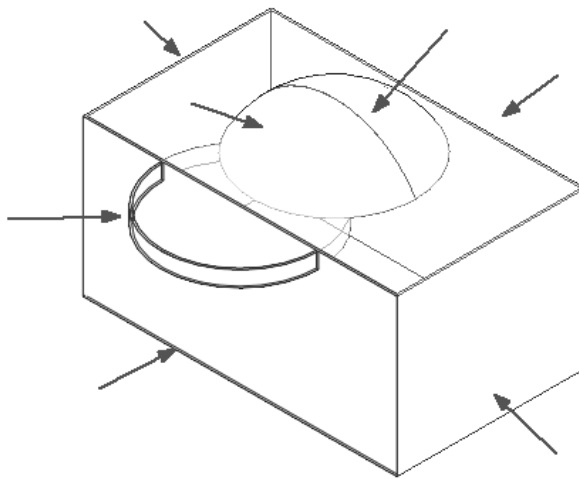
15.



Switch to the Architecture ribbon.

Select the **Wall by Face** tool.

16.



Select the four sides of the box, the outside arc of the cylinder and the two sides of the dome to place walls.

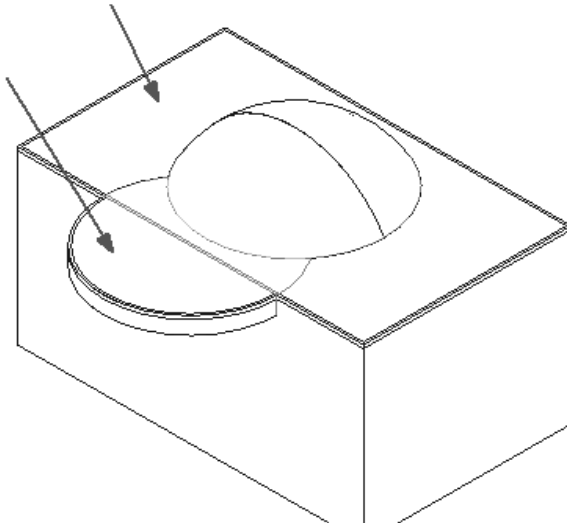
Right click and select CANCEL.

17.



Select the **Roof by Face** tool on the Build panel.

18.



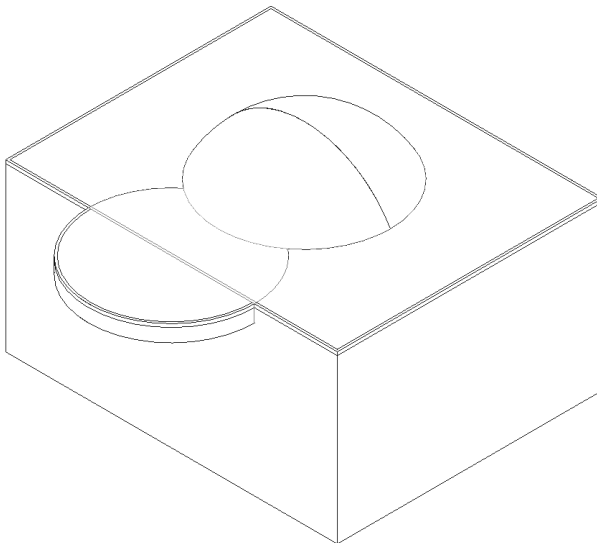
Select the top face of the box and the top half of the cylinder.

19.

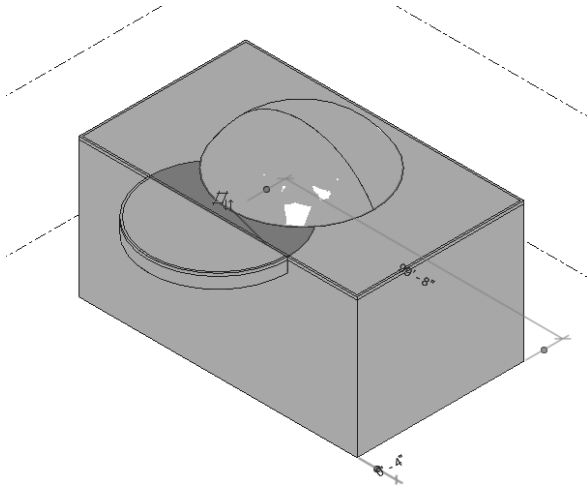


Select **Create Roof** on the ribbon.

20. The roof is placed. Right click and select **Cancel**.



21.



Select the conceptual family.

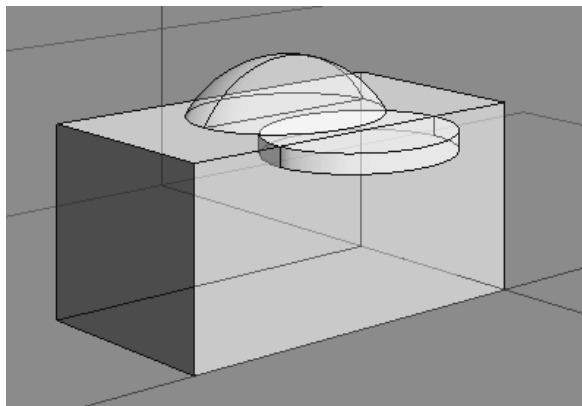
22.



Select **Edit Family** on the ribbon.

You will be modifying the external file.

23.



A window opens with the conceptual model.

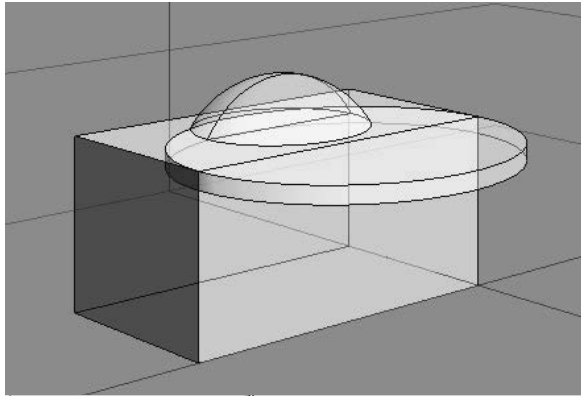
Select the cylinder.

24.

Mass Material	Default Form
Dimensions	
Radius	50' 0"
Height	5' 0"

Change the radius of the cylinder to **50'-0"**.

Left click in the window to release the selection.



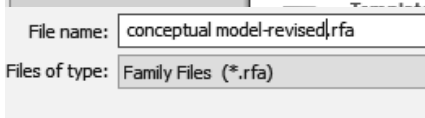
The model updates.

25.



Go **File**→**Save As**→**Family**.

26.

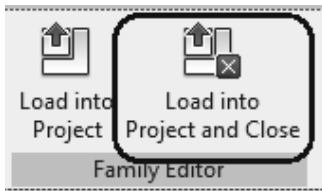


Change the name to **conceptual model – revised**.

Click **Save**.

This ensures that the original file is not modified.

27.



Select **Load into Project and Close**.

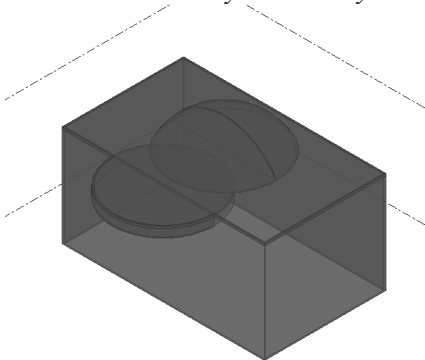
This loads the revised family into the existing project.

The family file is closed.

28. Click **ESC** to exit the insert command.

Revit automatically assumed you want to place the revised family.

29.

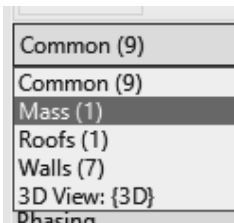


Switch to a **3D** view.

You see the original conceptual model has not changed.

Select the conceptual model by windowing around it.

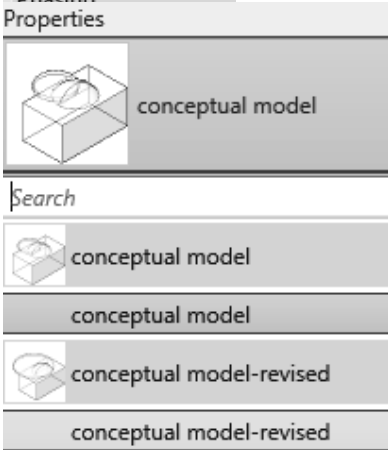
30.



On the Properties pane:

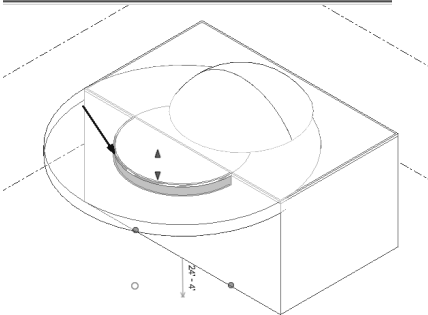
Select **Mass** from the drop down list.

31.



Use the Type Selector to switch to the **conceptual model – revised**.

The model is replaced with the new version.



The wall that was placed on the cylinder did not update.

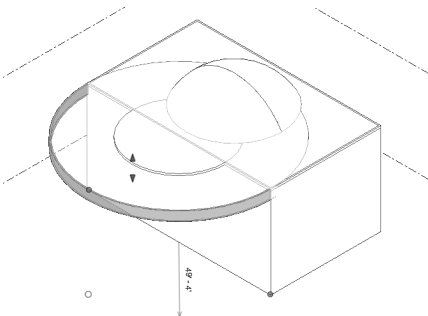
Select the wall.

32.



Click **Update to Face** on the ribbon.

33.

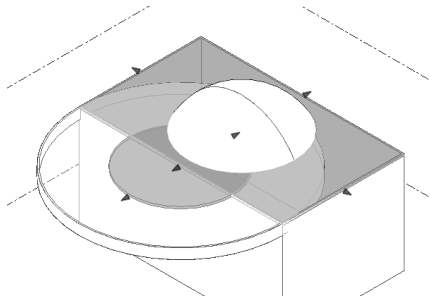


The wall updates.

However, now you see that the roof also needs to be updated.

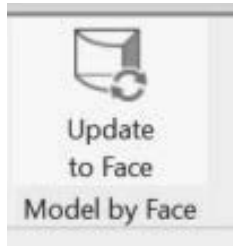
Release the wall selection by left clicking in the window.

34.

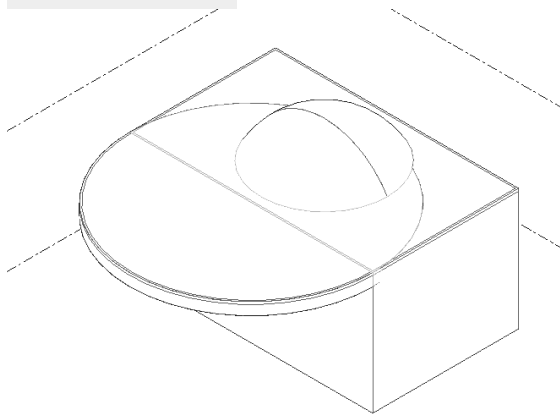


Select the roof.

35.

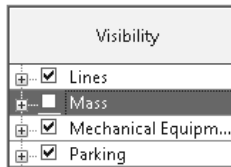


Select **Update to Face**.



The roof updates.

36.

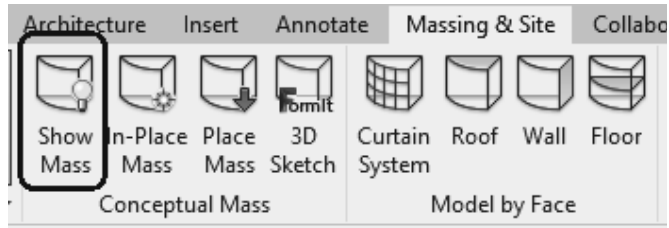


Type **VV** to launch the Visibility/Graphics dialog.

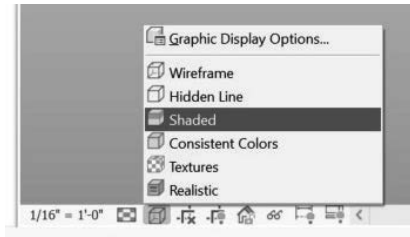
Disable **Mass** visibility on the Model Categories tab.

Click **OK**.

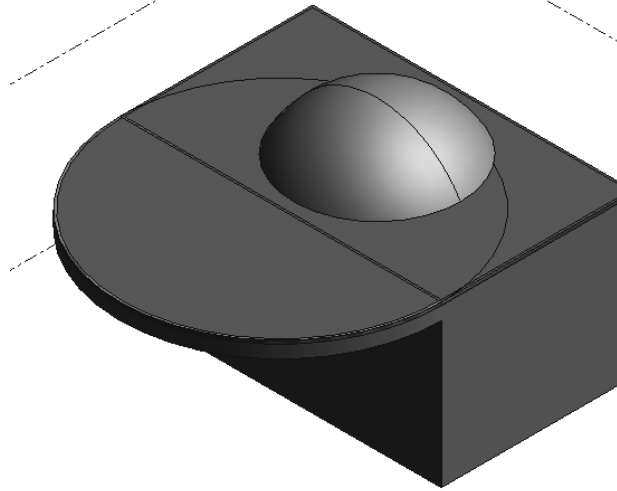
You can also disable the Show Mass tool on the Massing & Site tab.



37.

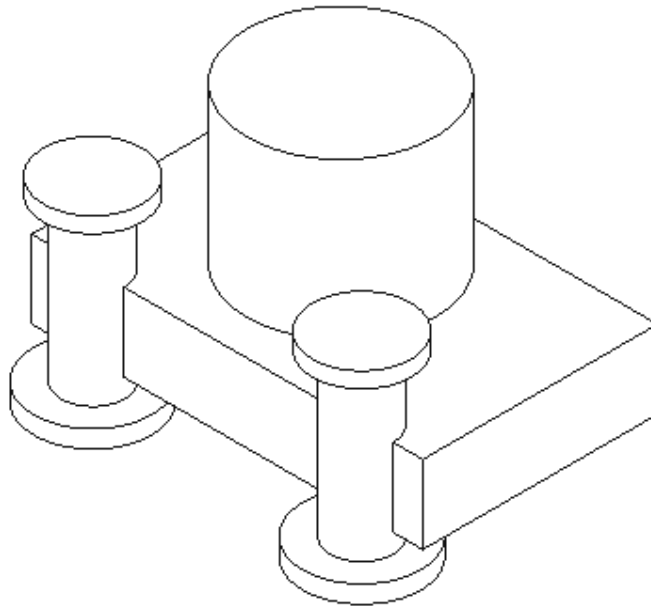


Change the Display to **Shaded**.

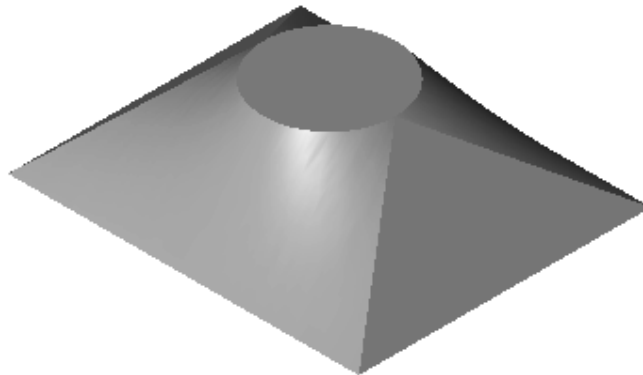


38. Save as *ex2-8.rvt*.

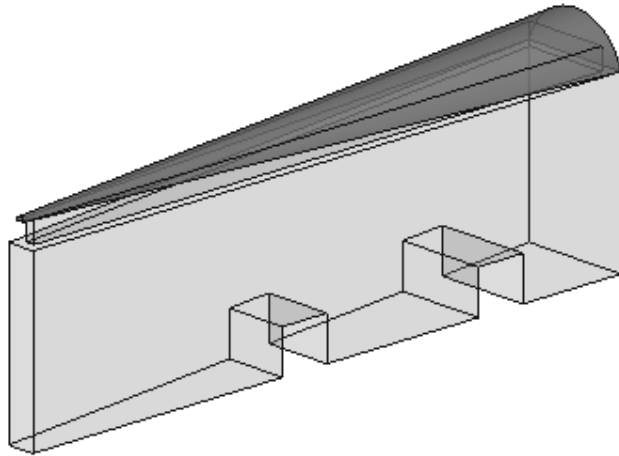
Additional Projects



- 1) Create a conceptual mass family like the one shown.



- 2) Make the shape shown using a Blend. The base is a rectangle and the top is a circle located at the center of the rectangle.




- 3) Make a conceptual mass family as shown.
Use Solid Void to create the two openings.



- 4) Design a pergola using 4" x 4" posts and beams.

Lesson 2 Quiz

True or False

1. Masses can be created inside Projects or as a Conceptual Mass file.
2. Forms are always created by drawing a sketch, selecting the sketch, and clicking  Create Form.
3. In order to see masses, Show Mass must be enabled.
4. Masses are level-based.
5. You can modify the dimensions of conceptual masses.

Multiple Choice [Select the Best Answer]

6. Faces on masses can be converted to the following:
 - A. Walls
 - B. Roofs
 - C. Floors
 - D. Doors
 - E. A, B, and C, but NOT D
7. You can adjust the distance a mass is extruded by:
 - A. Editing the temporary dimension that appears before a solid form is created.
 - B. Using the ALIGN tool.
 - C. Using the 3D drag tool.
 - D. Using the Properties pane located on the left of the screen.
 - E. All of the above
8. To insert a conceptual mass family in a project:
 - A. Use the INSERT tool.
 - B. Use the PLACE COMPONENT tool.
 - C. Use the BLOCK tool.
 - D. Use the MASS tool.
9. Masses are hosted by:
 - A. Projects
 - B. Work Planes
 - C. Families
 - D. Files

10. Mass Visibility can be controlled using:
- A. The SHOW MASS tool
 - B. Display Settings
 - C. Object Settings
 - D. View Properties
11. Each mass is defined by _____.
- A. A single profile sketch
 - B. Multiple profile sketches
 - C. Properties
 - D. Materials
12. Revit comes with many pre-made mass shapes. Select the mass shape NOT available in the Revit mass library:
- A. BOX
 - B. ARC
 - C. CONE
 - D. TRIANGLE-RIGHT

ANSWERS:

1) T; 2) T; 3) T; 4) T; 5) T; 6) E; 7) E; 8) B; 9) B; 10) A; 11) A; 12) B