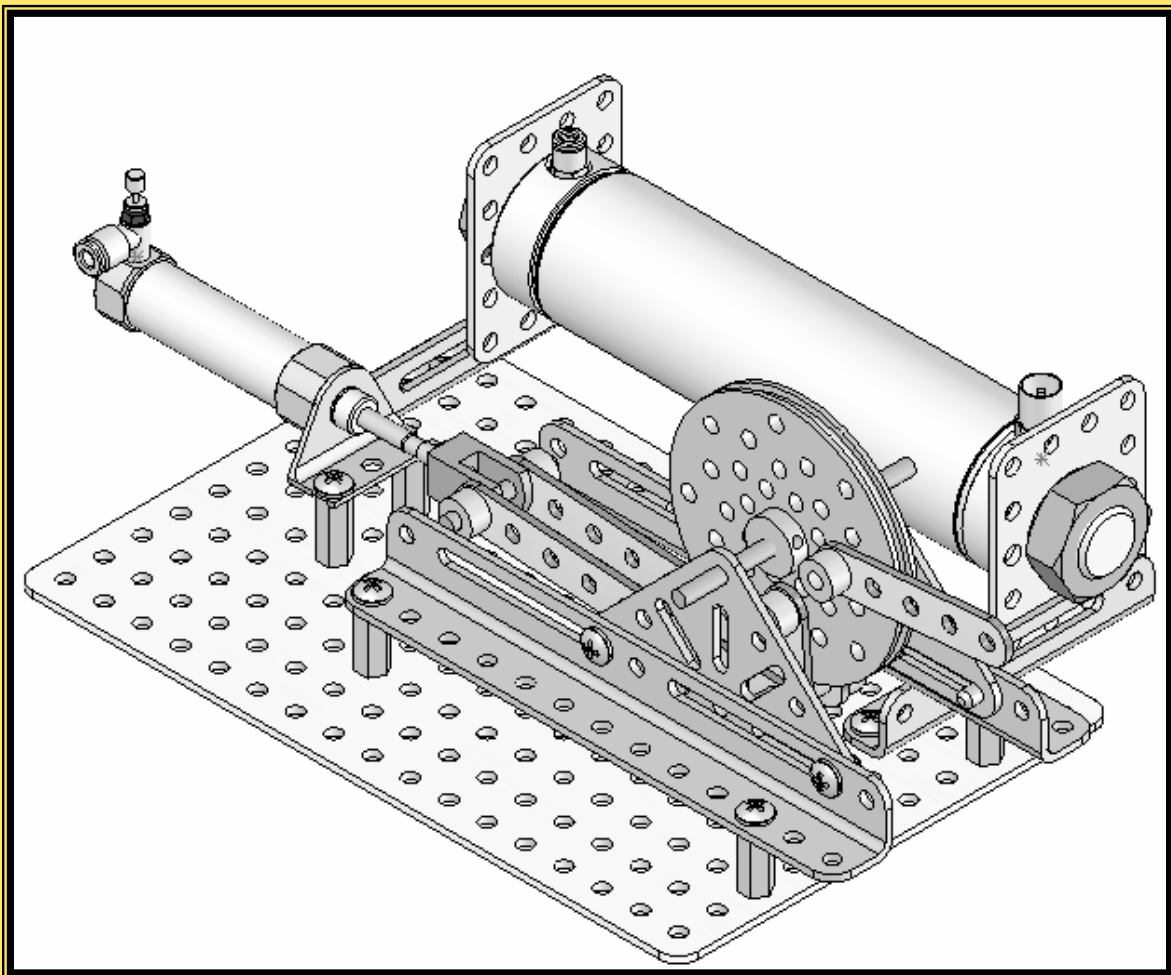


# SolidWorks 2006 Tutorial

---

A Step-by-Step Project Based Approach Utilizing 3D Solid Modeling

David C. Planchard & Marie P. Planchard



**SDC**  
PUBLICATIONS

Schroff Development Corporation

---

[www.schroff.com](http://www.schroff.com)  
[www.schroff-europe.com](http://www.schroff-europe.com)

## TABLE OF CONTENTS

<b>Introduction</b>	<b>I-1</b>
About the Cover	I-2
About the Authors	I-2
Acknowledgement	I-3
Note to Instructors	I-4
References	I-4
Table of Contents	I-5
What is SolidWorks?	I-9
Design Intent	I-11
Overview of Projects	I-15
Command Syntax	I-17
Windows Terminology	I-17
<b>Project 1 – Linkage Assembly</b>	<b>1-1</b>
Project Objective	1-3
Project Overview	1-4
AXLE Part	1-5
Start a SolidWorks Session	1-6
AXLE Part	1-11
AXLE Part-Extruded Base Feature	1-12
AXLE Part-Save	1-14
AXLE Part-Edit Color	1-15
AXLE Part-Standard Views and View Modes	1-16
SHAFT-COLLAR Part	1-19
SHAFT-COLLAR Part-Extruded Base Feature	1-19
SHAFT-COLLAR Part-Extruded Cut Feature	1-22
SHAFT-COLLAR-Modify Dimensions and Edit Color	1-23
FLATBAR Part	1-25
FLATBAR Part-Extruded Base Feature	1-26
FLATBAR Part-Extruded Cut Feature	1-30
FLATBAR Part-Linear Pattern Feature	1-32
LINKAGE Assembly	1-33
Mate Types	1-34
AIRCYLINDER Assembly-Open and Save As option	1-36
LINKAGE Assembly-Insert FLATBAR Part	1-40
LINKAGE Assembly-Insert SHAFT-COLLAR Part	1-43
Physical Simulation Tools	1-47
LINKAGE Assembly-Physical Simulation	1-47
Project Summary	1-50
Project Terminology	1-51
Project Features	1-52
Engineering Journal	1-53
Questions	1-56
Exercises	1-57
<b>Project 2 – Front Support Assembly</b>	<b>2-1</b>
Project Objective	2-3
Project Overview	2-4
Reference Planes and Orthographic Projection	2-5
HEX-STANDOFF Part	2-9
HEX-STANDOFF Part-Extruded Base Feature	2-10
HEX-STANDOFF Part-HOLE Wizard	2-14

ANGLE-13HOLE Part	2-15
ANGLE-13HOLE Part-Document Properties	2-17
ANGLE-13HOLE Part-Extruded Thin Feature	2-18
ANGLE-13HOLE Part-Extruded Cut Feature	2-20
ANGLE-13HOLE Part-Linear Pattern Feature	2-22
ANGLE-13HOLE Part-Fillet Feature	2-23
ANGLE-13HOLE Part-Second Extruded Cut and Linear Pattern	2-24
ANGLE-13HOLE Part-Third Extruded Cut	2-26
TRIANGLE Part	2-31
TRIANGLE Part-Mirror, Offset and Fillet Sketch Tools	2-33
TRIANGLE Part-Extruded Base Feature	2-36
TRIANGLE Part-First Extruded Cut Feature	2-37
TRIANGLE Part-Second Extruded Cut Feature	2-39
TRIANGLE Part-Mirror Feature	2-41
TRIANGLE Part-Third Extruded Cut Feature	2-42
TRIANGLE Part-Circular Pattern	2-45
SCREW Part	2-46
SCREW Part-Document Properties	2-48
SCREW Part-Revolved Feature	2-48
SCREW Part-Extruded Cut Feature	2-52
SCREW Part-Circular Pattern	2-54
SCREW Part-Fillet Feature	2-54
SCREW Part-Chamfer Feature	2-55
FRONT-SUPPORT Assembly	2-57
FRONT-SUPPORT Assembly-Insert ANGLE-13HOLE	2-57
FRONT-SUPPORT Assembly-Insert HEX-STANDOFF	2-59
FRONT-SUPPORT Assembly-Insert TRIANGLE	2-62
FRONT-SUPPORT Assembly-Insert SCREW	2-65
Project Summary	2-67
Project Terminology	2-68
Project Features	2-69
Engineering Journal	2-71
Questions	2-77
Exercises	2-78
<b>Project 3 – Fundamentals of Drawing</b>	<b>3-1</b>
Project Objective	3-3
Project Overview	3-4
Drawing Template and Sheet Format	3-5
Create a new Drawing	3-7
Drawing-Document Properties	3-9
Title Block	3-10
Create a Title Block	3-11
Company Logo	3-15
Create a Drawing Logo	3-15
Save Sheet Format and Save As Drawing Template	3-17
FLATBAR Drawing	3-21
FLATBAR Drawing-Open the FLATBAR Part	3-21
Move Views	3-26
FLATBAR Drawing-Position Views	3-26
Detail Drawing	3-27
FLATBAR Drawing-Dimensions and Annotations	3-29
FLATBAR Drawing-Part Number and Document Properties	3-35
FLATBAR Drawing-Linked Note	3-37
LINKAGE Assembly Drawing-Sheet1	3-40
LINKAGE Assembly Drawing-Exploded View	3-43

LINKAGE Assembly Drawing-Animation	3-46
LINKAGE Assembly Drawing-Bill of Materials	3-47
LINKAGE Assembly Drawing-Automatic Balloons	3-50
LINKAGE Assembly Drawing-Sheet2	3-50
LINKAGE Assembly Drawing-Sheet2 Section View	3-52
LINKAGE Assembly Drawing-Sheet2 Detail View	3-52
FLATBAR Part-Design Table	3-54
FLATBAR Drawing-Sheet2	3-58
FLATBAR-SHAFTCOLLAR Assembly	3-60
Project Summary	3-65
Project Terminology	3-66
Questions	3-69
Exercises	3-70
<b>Project 4 Pneumatic Test Module Assembly</b>	<b>4-1</b>
Project Objective	4-3
Project Overview	4-4
WEIGHT Part	4-6
WEIGHT Part-Loft Feature	4-13
WEIGHT Part-Extruded Cut Feature	4-14
HOOK Part	4-15
HOOK Part-Sweep Profile	4-21
HOOK Part-Sweep Feature	4-22
HOOK Part-Dome Feature	4-22
HOOK Part-Threads	4-23
WHEEL Part	4-28
WHEEL Part-Extruded Base Feature	4-31
WHEEL Part-Revolved Cut Feature	4-32
WHEEL Part-First Extruded Cut Feature	4-35
WHEEL Part-Second Extruded Cut Feature	4-37
WHEEL Part-Circular Pattern Feature	4-40
Modify Parts	4-43
HEX-ADAPTER Part	4-43
HEX-ADAPTER Part-Extruded Boss Feature	4-46
HEX-ADAPTER Part-Extruded Cut Feature	4-46
AXLE-3000 Part	4-49
SHAFTCOLLAR-500 Part	4-50
Assembly Techniques	4-53
PNEUMATIC-TEST-MODULE Layout	4-54
FLATBAR Sub-assembly	4-56
3HOLE-SHAFTCOLLAR Assembly	4-56
WHEEL-FLATBAR Assembly	4-61
WHEEL-FLATBAR Assembly-Insert 3HOLE-SHAFT-COLLAR	4-64
WHEEL-FLATBAR Assembly-Insert 5HOLE-SHAFT-COLLAR	4-66
WHEEL-AND-AXLE Assembly	4-70
WHEEL-AND-AXLE Assembly-Insert HEX-ADAPTER	4-73
WHEEL-AND-AXLE Assembly-Insert SHAFTCOLLAR-500	4-75
PNEUMATIC-TEST-MODULE Assembly	4-77
Modify the LINKAGE Assembly	4-78
PNEUMATIC-TEST-MODULE-Insert LINKAGE Assembly	4-87
PNEUMATIC-TEST-MODULE-Insert AIR-RESERVOIR-SUPPORT	4-89
PNEUMATIC-TEST-MODULE-Component Pattern	4-91
PNEUMATIC-TEST-MODULE-Local Pattern	4-93
PNEUMATIC-TEST-MODULE-Insert FRONT-SUPPORT	4-95
PNEUMATIC-TEST-MODULE-Mirrored Component	4-98
PNEUMATIC-TEST-MODULE-MIRRORFRONT-SUPPORT	4-100

## **Introduction**

## **SolidWorks Tutorial 2006**

Component Properties	4-101
PNEUMATIC-TEST-MODULE-Insert WHEEL-AND-AXLE	4-101
PNEUMATIC-TEST-MODULE-Remove Rigid State	4-103
PNEUMATIC-TEST-MODULE-Review AIRCYLINDER Configurations	4-104
Project Summary	4-109
Project Terminology	4-109
Engineering Journal	4-111
Questions	4-115
Exercises	4-116

## **Appendix**

Engineering Change Order-ECO	A-1
Feature Toolbar and Insert Menu	A-2
SolidWorks Keyboard Shortcuts	A-3
Windows Shortcuts	A-4
Types of Decimal Dimensions ASME Y14.5M	A-5
Helpful On-Line Information	A-6

## **Index**