

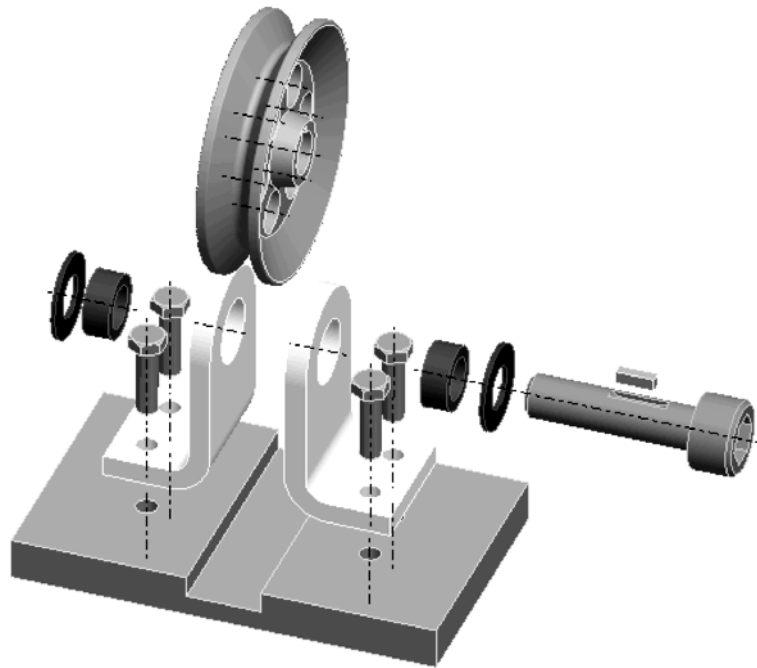
INSIDE:



Pro | ENGINEER[®] WILDFIRE[™] 3.0

Tutorial and MultiMedia CD

- ▣ LESS9.ASM
 - ▣ ASM_RIGHT
 - ▣ ASM_TOP
 - ▣ ASM_FRONT
 - ▣ BPLATE.PRT
 - ▣ SUPPORT.ASM
 - ▣ LBRACK.PRT
 - ▣ BUSHING.PRT
 - ▣ WASHER.PRT
 - Insert Here
 - ▣ SUPPORT.ASM
 - ▣ AXLE.PRT
 - ▣ PULLEY.PRT
 - ▣ Group BOLTS
 - ▣ Extrude 1
 - ▣ KEY.PRT
 - Insert Here



Roger Toogood, Ph.D., P. Eng.

SDC
PUBLICATIONS

Schroff Development Corporation

www.schroff.com
www.schroff-europe.com

Updated for
WILDFIRE
3.0

TABLE OF CONTENTS

Preface	i
Notes for the WILDFIRE 3.0 Edition	ii
Note to Instructors	ii
Acknowledgments	iv
Instructions for Using the CD-ROM	vi
Table of Contents	vii

INTRODUCTION to Pro/ENGINEER

A Few Words Before You Dive In...	Intro - 1
What <i>IS</i> Pro/ENGINEER?	Intro - 2
This sounds like it's pretty complicated!...	Intro - 5
Overview of the Lessons	Intro - 5
On-Line Help	Intro - 9

Lesson 1 : User Interface, View Controls and Model Structure

Synopsis	1 - 1
Overview of this Lesson	1 - 1
Starting Pro/ENGINEER	1 - 3
How commands are entered into Pro/ENGINEER	1 - 5
Pull-Down Menus	1 - 5
Short-cut Buttons	1 - 6
Dialog Windows	1 - 6
Menu Picks	1 - 7
Pop-Up Menus	1 - 8
Command/Message Window	1 - 8
Mouse Functions	1 - 9
Table 1-1 Common Pro/E Mouse Functions (3D)	1 - 10
How this tutorial will represent the command sequence	1 - 10
How to get On-Line Help	1 - 12
Tutorial Files and Working Directory	1 - 14
Controlling the Screen: View and Display Commands	1 - 15
Opening a Part File	1 - 16
View Controls using the Mouse	1 - 16
Toolbar View Commands	1 - 19
Using Named Views	1 - 20
Object Display Commands	1 - 21
Datum Display Commands	1 - 22
Modifying the Environment	1 - 23
Anatomy of a Part - Understanding the Model Structure	1 - 24
Preselection Highlighting	1 - 25
Expanding the Model Tree	1 - 26

The Model Player	1 - 27
Exploring the Structure of a Part	1 - 28
Modifying Dimensions	1 - 31
Parent/Child Relations	1 - 32
Anatomy of an Assembly	1 - 33
An Assembly BOM (Bill of Materials)	1 - 35
Modifying the Assembly	1 - 35
Exploding an Assembly	1 - 37
Opening Parts in an Assembly	1 - 38
Obtaining Hard Copy	1 - 38
Leaving Pro/ENGINEER	1 - 39
Questions for Review	1 - 40
Exercises	1 - 41

Lesson 2 : Creating a Simple Object (Part I)

Synopsis	2 - 1
Overview of this Lesson	2 - 1
Creating a Simple Part	2 - 2
Creating and Naming the Part	2 - 2
Create Datum Planes and Coordinate System	2 - 3
Pro/ENGINEER Feature Overview	2 - 4
Introducing Sketcher	2 - 5
Table 2-1 Implicit Constraints in Sketcher	2 - 8
Two Ways to use Sketcher	2 - 8
Creating a Sketched Curve	2 - 9
Setting Sketch Orientation	2 - 9
The Sketcher Toolbar	2 - 13
Table 2-2 Sketcher Toolbar Flyout Buttons	2 - 14
Creating the Sketch	2 - 14
Weak vs Strong Dimensions	2 - 16
Creating a Solid Protrusion	2 - 18
The Extrude Dashboard	2 - 19
Creating an Extruded Cut	2 - 23
Saving the Part	2 - 27
Using Part Templates	2 - 27
Questions for Review	2 - 29
Exercises	2 - 30

Lesson 3 : Creating a Simple Object (Part II)

Synopsis	3 - 1
Overview of this Lesson	3 - 1
Retrieving a Part	3 - 2
Creating a Hole	3 - 3

Creating a Chamfer	3 - 7
Creating a Round	3 - 8
Exploring the Model	3 - 11
Configuring the Model Tree	3 - 11
Naming Features	3 - 13
Exploring Parent/Child Relations	3 - 14
Modifying Dimensions	3 - 16
Creating Feature Relations	3 - 18
More about relations:	3 - 21
Considering Design Intent	3 - 22
Design Intent Alternative #1	3 - 22
Design Intent Alternative #2	3 - 23
Design Intent Alternative #3	3 - 24
More Sketcher Tools	3 - 25
The <i>Modify</i> Command	3 - 25
Sketcher Relations	3 - 25
Sketcher Preferences	3 - 26
Using <i>Undo</i>	3 - 27
Pro/E Files Saved Automatically	3 - 28
Questions for Review	3 - 29
Exercises	3 - 30
Project	3 - 32

Lesson 4 : Revolved Protrusions, Mirror Copies, Rounds, and Chamfers

Synopsis	4 - 1
Overview of this Lesson	4 - 1
Creating the Base Feature	4 - 2
Creating a Revolved Protrusion	4 - 7
Adding and Mirroring a Cut	4 - 10
Creating a Mirror Copy	4 - 11
Creating Holes	4 - 13
Having Problems Mirroring?	4 - 14
Creating Rounds (the <i>FAST</i> way!)	4 - 14
Using Edge Sets with <i>Chamfer</i>	4 - 16
Saving the Part	4 - 18
Model Analysis Tools	4 - 18
Exploring the Model, or “What Can Go Wrong?”	4 - 20
Questions for Review	4 - 23
Exercises	4 - 24
Project	4 - 26

Lesson 5 : Modeling Utilities and the 3 R’s

Synopsis	5 - 1
----------------	-------

Overview of this Lesson	5 - 1
Obtaining Information about the Model	5 - 2
The Regeneration Sequence	5 - 3
The Feature List	5 - 3
The Model Tree	5 - 4
Parent/Child Relations	5 - 5
Suppressing and Resuming Features	5 - 6
Suppressing versus Hiding	5 - 9
Modifying Feature Definitions	5 - 9
① Changing the shape of a sketch (<i>Edit Definition</i>)	5 - 11
② Changing a Feature Reference (<i>Edit References</i>)	5 - 12
③ Changing the Sketcher Constraints (<i>Edit Definition</i>)	5 - 13
④ Changing a Feature Reference (<i>Edit References</i>)	5 - 14
⑤ Changing Feature Attributes (<i>Edit Definition</i>)	5 - 15
⑥ Changing the Regeneration Sequence using <i>Reorder</i>	5 - 16
⑦ Changing the Insertion Point	5 - 17
Conclusion	5 - 18
Questions for Review	5 - 18
Exercises	5 - 19
Project	5 - 20

Lesson 6 : Datum Planes and Sketcher Tools

Synopsis	6 - 1
Overview of this Lesson	6 - 1
Overview of Datum Planes and Axes	6 - 2
Creating a Datum Plane and Datum Axis	6 - 4
Creating the <i>Cutter</i> Base Feature	6 - 6
Creating a Coaxial Hole	6 - 9
First Tooth - Offset Datum	6 - 10
Second Tooth - Normal and Tangent Datum	6 - 12
Third Tooth - Using Make Datums	6 - 13
Exploring the Model	6 - 17
Considering <i>Design Intent</i>	6 - 18
Questions for Review	6 - 18
Exercises	6 - 20
Project	6 - 21

Lesson 7 : Patterns and Copies

Synopsis	7 - 1
Overview of this Lesson	7 - 1
Patterned Features	7 - 2
Naming Dimension Symbols	7 - 3
Creating a Uni-directional Pattern	7 - 4

Creating a Bi-directional Pattern	7 - 6
Creating a Simple Radial Pattern	7 - 8
Setting up Pattern Relations	7 - 10
A Pattern of Grouped Features	7 - 11
Radial Patterns of Sketched Features	7 - 13
Radial Pattern using Make Datum as Sketching Plane	7 - 14
Radial Pattern using Make Datum as Reference Plane	7 - 17
Copying Features with <i>Paste</i> and <i>Paste Special</i>	7 - 19
Copying using <i>Paste</i>	7 - 20
Copying using <i>Paste Special</i>	7 - 23
Paste Special Example #1 (default)	7 - 25
Paste Special Example #2 (using the Varied Items table)	7 - 27
Paste Special Example #3 (Breaking, Restoring, and Removing dependence)	7 - 28
Paste Special Example #4 (using Advanced Reference Configuration) .	7 - 29
Paste Special Example #5 (making an independent copy)	7 - 30
Paste Special Example #6 (Translated and Rotated copies)	7 - 30
Design Considerations	7 - 34
Questions for Review	7 - 35
Exercises	7 - 36
Project	7 - 37

Lesson 8 : Engineering Drawings

Synopsis	8 - 1
Overview of this Lesson	8 - 1
The L-Bracket	8 - 3
Creating the Part	8 - 3
Changing Part Units	8 - 3
Creating the Drawing of the L-Bracket	8 - 4
① Create the Drawing Sheet	8 - 4
② Adding Views	8 - 5
③ Adding Dimensioning Detail	8 - 8
④ Dimension Cosmetics	8 - 9
⑤ Setting View Display Mode	8 - 12
⑥ Creating a Note	8 - 13
Exploring Associativity	8 - 14
Getting Hard Copy of the Drawing	8 - 17
Using Drawing Templates	8 - 17
The Pulley	8 - 19
Creating the Pulley	8 - 19
Creating the Drawing	8 - 22
① Selecting a Formatted Sheet	8 - 22
② Creating the Primary View	8 - 22
③ Add a Full Section View	8 - 23
④ Modify the Section View Display	8 - 25

⑤ Adding a Detail View	8 - 25
⑥ Adding Dimension Details	8 - 26
⑦ Improving the Esthetics	8 - 27
⑧ Changing Drawing Options	8 - 27
⑨ Adding Notes with Parameters	8 - 28
⑩ Creating Dimensions	8 - 30
Conclusion	8 - 30
Questions for Review	8 - 31
Exercises	8 - 33
Project	8 - 34

Lesson 9 : Assembly Fundamentals

Synopsis	9 - 1
Overview of this Lesson	9 - 1
Creating the Assembly Components	9 - 2
The Pulley	9 - 2
The Axle	9 - 2
The Base Plate	9 - 3
The Bolts	9 - 4
The Bushings	9 - 4
The Washers	9 - 5
Assembly Constraints	9 - 5
DEFAULT	9 - 6
MATE COINCIDENT	9 - 6
MATE OFFSET	9 - 6
ALIGN COINCIDENT	9 - 7
ALIGN OFFSET	9 - 7
ALIGN ORIENT	9 - 8
INSERT	9 - 8
Assembly Design Issues	9 - 8
Assembling the Components	9 - 10
Creating a Subassembly	9 - 10
Creating the Main Assembly	9 - 16
The Copy command with components	9 - 25
Assigning Appearances to Components	9 - 26
Questions for Review	9 - 29
Project	9 - 31

Lesson 10 : Assembly Operations

Synopsis	10 - 1
Overview of this Lesson	10 - 1
Assembly Information	10 - 2
Assembly Features	10 - 3

Creating Assembly Features	10 - 3
Assembly Display Management	10 - 5
Assembly and Part Modifications	10 - 6
Active Components and Visibility	10 - 6
Changing Part Dimensions	10 - 7
Adding another Assembly Feature	10 - 9
Changing Feature Visibility	10 - 10
Changing the Active Component	10 - 11
Part Creation in Assembly Mode	10 - 12
Exploding the Assembly	10 - 15
Component Display Style	10 - 17
Modifying Component Display Styles	10 - 17
Modifying the Explode State	10 - 19
Sections	10 - 21
Assembly Drawings	10 - 22
Questions for Review	10 - 25
Project	10 - 27

Lesson 11 : Sweeps and Blends

Synopsis	11 - 1
Overview of this Lesson	11 - 1
Sweeps	11 - 2
Closed Section, Open Trajectory - The S-Bracket	11 - 2
Alternate Method for Creating Sweep	11 - 5
Extending the Trajectory	11 - 6
Open Section, Closed Trajectory - The Lawn Sprinkler	11 - 8
Creating a Sketched Hole	11 - 11
Blends	11 - 12
Parallel Blend	11 - 12
The <i>Shell</i> Command	11 - 17
Rotational Blend	11 - 18
Conclusion	11 - 22
Questions for Review	11 - 23
Exercises	11 - 24

Appendix : Interface Customization

Synopsis	A - 1
Overview	A - 1
Configuration Files (<i>config.pro</i>)	A - 1
The Configuration File Editor	A - 3
Adding Settings to <i>config.pro</i>	A - 4
Saving Your <i>config.pro</i> Settings	A - 7
Loading a Configuration File	A - 7

Deleting Configuration Options	A - 7
Checking Your Configuration Options	A - 7
Customizing the Interface	A - 8
Toolbars	A - 8
Changing Toolbar Buttons	A - 9

Index