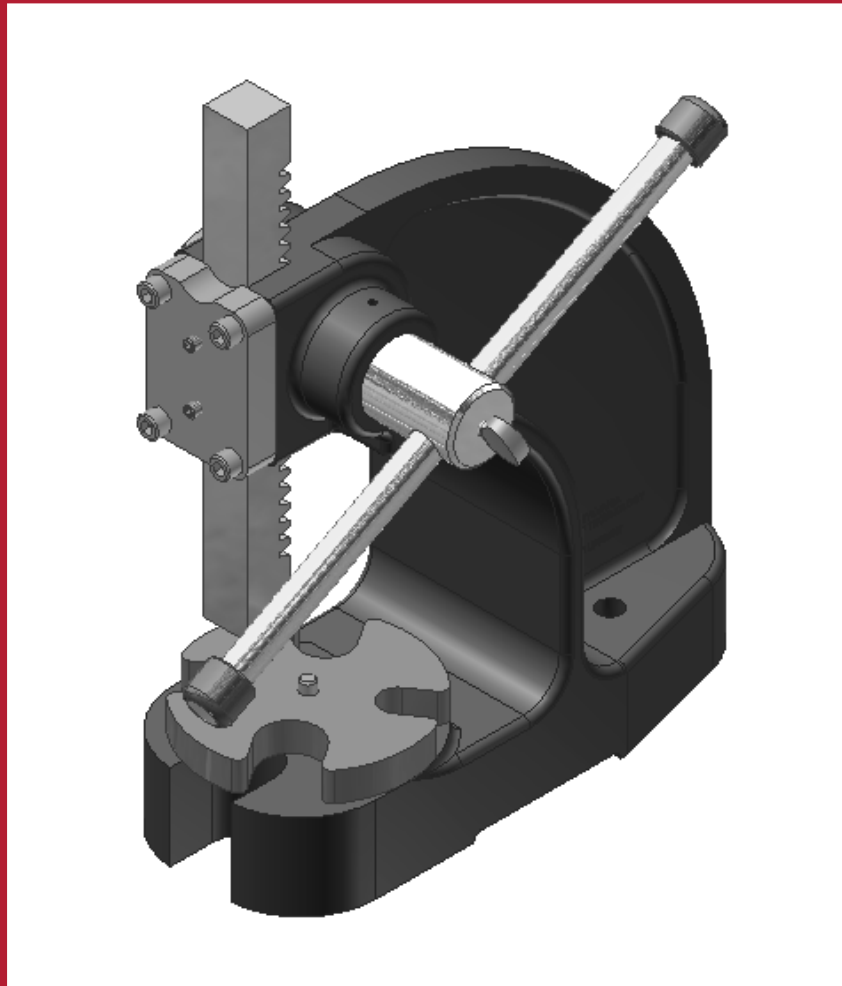


The Power of Design: An Introduction to Autodesk Inventor 2008



Elise Moss

SDC
PUBLICATIONS

Schroff Development Corporation

www.schroff.com
www.schroff-europe.com

Table of Contents

PREFACE

ACKNOWLEDGEMENTS

Lesson 1:

Parametric Modeling Fundamentals – Quick Start

Exercise 1-1: Creating an Extrusion	1-2
Review Questions	1-15

Lesson 2:

User Interface

Exercise 2-1: Controlling the Visibility of the Status Bar, Panel Bar, and Browser	2-2
Exercise 2-2: Using Toolbars instead of the Panel Bar	2-4
Exercise 2-3: Setting Up a Project	2-14
Exercise 2-4: Modifying a Project Definition	2-16
Exercise 2-5: Customizing your Toolbar	2-38
Review Questions	2-40

Lesson 3

2D Sketch Tools

Exercise 3-1: Mirror	3-4
Exercise 3-2: Auto Dimension	3-16
Exercise 3-3: Move and Copy	3-18
Exercise 3-4: Copy	3-19
Exercise 3-5: Scale	3-20

Exercise 3-6: Rotate	3-22
Exercise 3-7: Stretch	3-24
Exercise 3-8: Adding Horizontal and Vertical Constraints	3-27
Exercise 3-9: Deleting Constraints	3-30
Exercise 3-10: Inserting an AutoCAD file	3-33
Exercise 3-11: Creating Etched Text	3-36
Exercise 3-12: Insert Image	3-40
Exercise 3-13: Edit Coordinate System	3-42
Exercise 3-14: Import Points	3-45
Review Questions	3-46

Lesson 4

The Features Toolbar

Exercise 4-1: Performing a Revolve	4-3
Exercise 4-2: Adding a Hole using Linear	4-5
Exercise 4-3: Adding a Hole using Concentric	4-8
Exercise 4-4: Adding a Hole using Sketch	4-11
Exercise 4-5: Customizing the Thread Data	4-15
Exercise 4-6: Creating a Shell	4-16
Exercise 4-7: Creating a Rib	4-20
Exercise 4-8: Loft	4-23

Exercise 4-9: Loft with Rails	4-28
Exercise 4-10: Sweep	4-34
Exercise 4-11: Creating a Coil	4-38
Exercise 4-12: Adding a Thread	4-41
Exercise 4-13: Adding a Fillet	4-42
Exercise 4-14: Adding a Chamfer	4-44
Exercise 4-15: Applying a Face Draft	4-45
Exercise 4-16: Splitting a Part	4-46
Exercise 4-17: Emboss	4-48
Exercise 4-18: Decal	4-51
Exercise 4-19: Circular Pattern	4-53
Exercise 4-20: Bend Part	4-55
Exercise 4-21: Mirror Feature	4-57
Exercise 4-22: Sculpt	4-58
Review Questions	4-60

Lesson 5

Drawing Management

Exercise 5-1: Creating a Base View	5-2
Exercise 5-2: Create a Projected View	5-5
Exercise 5-3: Adding an Auxiliary View	5-8

Exercise 5-4: Adding a Section View	5-12
Exercise 5-5: Editing a Section View	5-15
Exercise 5-6: Creating a Detail View	5-17
Exercise 5-7: Creating a Broken View	5-19
Exercise 5-8: Creating an Overlay View	5-22
Exercise 5-9: Creating a Slice View	5-26
Exercise 5-10: Creating a Custom Title Block	5-28
Exercise 5-11: Adding Custom Properties	5-37
Exercise 5-12: Copy a Titleblock	5-40
Exercise 5-13: Define New Symbol	5-42
Exercise 5-14: Inserting a Symbol	5-44
Exercise 5-15: Creating a Symbol with Attributes	5-46
Exercise 5-16: Editing Symbols	5-47
Review Questions	5-50

Lesson 6

Drawing Annotation Toolbar

Exercise 6-1: Using the Style Manager Library	6-2
Exercise 6-2: Applying a General Dimension	6-10
Exercise 6-3: Applying a Baseline Dimension	6-12
Exercise 6-4: Applying Ordinate Dimensions	6-15

Exercise 6-5: Adding a Hole Note	6-17
Exercise 6-6: Adding Center Marks	6-19
Exercise 6-7: Adding Center Lines	6-20
Exercise 6-8: Adding a Centered Pattern	6-22
Exercise 6-9: Adding Balloons	6-24
Exercise 6-10: Adding a Parts List	6-28
Exercise 6-11: Adding a Hole Chart	6-35
Exercise 6-12: Adding Revision Tags and Tables	6-37
Review Questions	6-40
Lesson 7	
Assembly Tools	
Exercise 7-1: Place Component	7-4
Exercise 7-2: Place Component using Windows Explorer	7-6
Exercise 7-3: Create Component	7-8
Exercise 7-6: Place INSERT Constraint	7-14
Exercise 7-7: Place TANGENT Constraint	7-17
Exercise 7-8: Place MATE Constraint	7-18
Review Questions	7-20

Lesson 8
Presentations

Exercise 8-1 Creating an Exploded View	8-2
Exercise 8-2: Creating an Animation	8-7
Exercise 8-3: Recording an Animation	8-14
Exercise 8-4: Changing Views in an Animation	8-15
Review Questions	8-19

About the Author