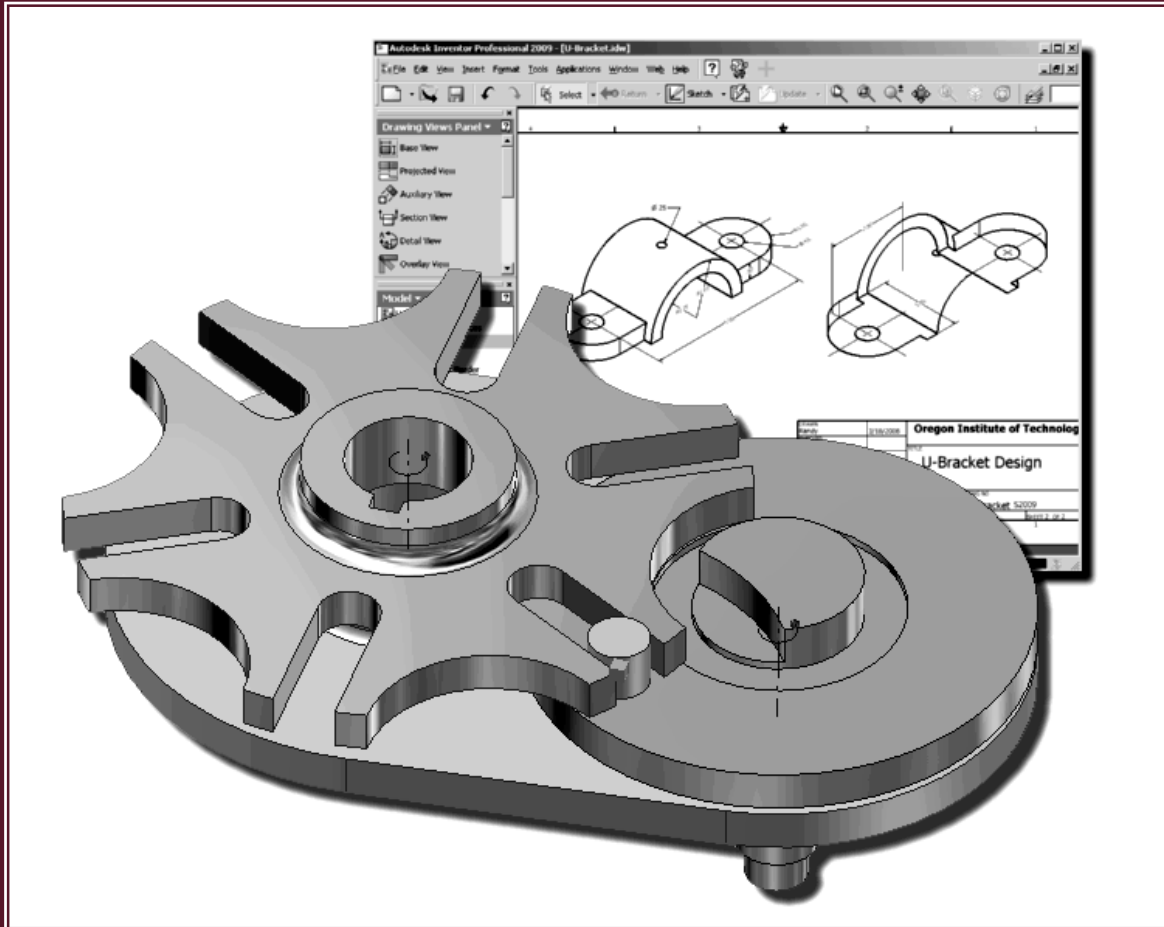


# Parametric Modeling with Autodesk Inventor® 2009



**Randy H. Shih**  
*Oregon Institute of Technology*

**SDC**  
PUBLICATIONS

Schroff Development Corporation  
[www.schroff.com](http://www.schroff.com)

Better Textbooks. Lower Prices.

**Autodesk Certification Program**  
The tutorials prepare students  
for the Autodesk Inventor  
2009 Certified User  
Examination.

# Table of Contents

<b>Preface</b>	i
<b>Acknowledgments</b>	ii
<b>Table of Contents</b>	iii
<b>Autodesk Inventor Certified User Examination Overview</b>	xiii
<b>Chapter 1</b>	
<b>Getting Started</b>	
AutoCAD Certified User Examination Objectives Coverage	1-1
Introduction	1-2
Development of Computer Geometric Modeling	1-2
Feature-Based Parametric Modeling	1-6
Getting Started with Autodesk Inventor	1-7
The Startup dialog box and Units Setup	1-8
Autodesk Inventor Screen Layout	1-9
Pull-down Menus	1-10
Standard Toolbar	1-10
Part Feature Toolbar	1-10
Help Options	1-10
2D Sketch Toolbar	1-10
Graphics Window	1-11
Graphics Cursor or Crosshairs	1-11
Message and Status bar Area	1-11
Browser	1-11
Mouse Buttons	1-12
[Esc] - Canceling commands	1-12
On-Line Help	1-13
Leaving Autodesk Inventor	1-13
Creating a CAD files folder	1-14
<b>Chapter 2</b>	
<b>Parametric Modeling Fundamentals</b>	
Introduction	2-3
The Adjuster design	2-4
Starting Autodesk Inventor	2-4
Autodesk Inventor Screen Layout	2-5
Creating Rough Sketches	2-6
Step 1: Creating a rough sketch	2-7
Graphics Cursors	2-7
Geometric Constraint Symbols	2-8
Step 2: Apply/modify constraints and dimensions	2-9
Dynamic Viewing Functions – <i>Zoom</i> and <i>Pan</i>	2-12

Modifying the dimensions of the sketch	2-12
Step 3: Completing the Base Solid Feature	2-13
Isometric View	2-14
Dynamic Rotation of the 3-D block - 3D Orbit	2-15
Dynamic Viewing - Quick Keys	2-17
Viewing Tools – Standard Toolbar	2-18
Display Modes	2-22
Orthographic vs. Perspective	2-22
Sketch plane – It is an XY CRT, but an XYZ World	2-23
Step 4-1: Adding an extruded feature	2-25
Step 4-2: Adding a cut feature	2-29
Save the Model	2-32
Questions	2-33
Exercises	2-34

### **Chapter 3**

## **Constructive Solid Geometry Concepts**

Introduction	3-3
Binary Tree	3-4
The Locator Design	3-5
Modeling Strategy - CSG Binary Tree	3-6
Starting Autodesk Inventor	3-7
<i>GRID</i> and <i>SNAP</i> intervals Setup	3-8
Base Feature	3-9
Model Dimensions Format	3-11
Modifying the dimensions of the sketch	3-11
Repositioning Dimensions	3-12
Using the Measure Tools	3-13
Completing the Base Solid Feature	3-16
Creating the next solid feature	3-17
Creating a CUT Feature	3-21
Creating a PLACED FEATURE	3-24
Creating a Rectangular Cut Feature	3-26
Questions	3-28
Exercises	3-29

### **Chapter 4**

## **Model History Tree**

Introduction	4-3
The <i>Saddle Bracket</i> Design	4-4
Starting Autodesk Inventor	4-4
Modeling Strategy	4-5
The <i>Autodesk Inventor Browser</i>	4-6

Creating the Base Feature	4-6
Adding the Second Solid Feature	4-9
Creating a 2D sketch	4-10
Renaming the Part Features	4-12
Adjusting the Width of the Base Feature	4-13
Adding a Placed Feature	4-14
Creating a Rectangular Cut Feature	4-16
History-based Part Modifications	4-17
A Design change	4-18
Assigning and Calculating the Associated Physical Properties	4-21
Questions	4-23
Exercises	4-24

## **Chapter 5**

### **Parametric Constraints Fundamentals**

CONSTRAINTS and RELATIONS	5-3
Create a Simple Triangular Plate Design	5-3
Fully Constrained Geometry	5-4
Starting Autodesk Inventor	5-4
Displaying existing constraints	5-5
Applying Geometric/Dimensional Constraints	5-7
Over-constraining and Driven Dimensions	5-11
Deleting existing constraints	5-12
Using the Auto Dimension command	5-13
Adding Additional Geometry	5-14
Constraint Settings	5-17
Parametric relations	5-18
Dimensional Values and Dimensional Variables	5-20
Parametric Equations	5-21
Viewing the Established Parameters and Relations	5-22
Saving the Model File	5-23
Using the Measure Tools	5-24
Questions	5-28
Exercises	5-29

## **Chapter 6**

### **Geometric Construction Tools**

Introduction	6-3
The Gasket Design	6-3
Modeling Strategy	6-4
Starting Autodesk Inventor	6-5
Creating a 2D Sketch	6-6
Editing the Sketch by Dragging the Sketched Entities	6-8

Adding Additional Constraints	6-10
Using the <i>Trim</i> and <i>Extend</i> Commands	6-11
The <i>Auto Dimension</i> command	6-13
Creating Fillets and Completing the Sketch	6-15
Fully Constrained Geometry	6-16
Profile Sketch	6-19
Redefining the Sketch and the Profile	6-20
Create an OFFSET Cut Feature	6-24
Questions	6-27
Exercises	6-28

## **Chapter 7**

### **Parent/Child Relationships and the BORN Technique**

Introduction	7-3
The BORN Technique	7-3
The U-Bracket Design	7-4
Starting Autodesk Inventor	7-5
Default sketch plane setting	7-5
Applying the BORN Technique	7-6
Creating the 2-D Sketch of the Base feature	7-8
Create the First Extrude Feature	7-12
The Implied Parent/Child Relationships	7-13
Creating the Second Solid Feature	7-13
Creating the First Cut feature	7-17
Creating the Second Cut feature	7-18
Examining the Parent/Child Relationships	7-20
Modify a Parent Dimension	7-21
A Design Change	7-22
Feature Suppression	7-23
A different approach to the CENTER_DRILL feature	7-24
Suppress the Rect_Cut feature	7-26
Creating a Circular Cut Feature	7-27
A Flexible Design Approach	7-29
Creating and Editing Material Properties	7-30
Using the New Material	7-32
Questions	7-34
Exercises	7-35

## **Chapter 8**

### **Part Drawings and Associative Functionality**

Drawings from Parts and Associative Functionality	8-3
Starting Autodesk Inventor	8-4
Drawing Mode - 2D Paper Space	8-4

Drawing Sheet Format	8-6
Using the Pre-defined Drawing Sheet Formats	8-8
Deleting, Activating, and Editing a Drawing Sheet	8-10
Adding a Base View	8-11
Creating Projected Views	8-12
Adjusting the View Scale	8-13
Repositioning Views	8-14
Displaying Feature Dimensions	8-15
Repositioning and Hiding Feature Dimensions	8-17
Adding Additional Dimensions – Reference Dimensions	8-19
Adding Center Marks and Center Lines	8-20
Completing the Drawing Sheet	8-23
Associative Functionality – Modifying Feature Dimensions	8-24
3D Annotations in Isometric Views	8-27
Questions	8-35
Exercises	8-36

## **Chapter 9**

### **Datum Features and Auxiliary Views**

Work Features	9-3
Auxiliary Views in 2D Drawings	9-3
The <i>Rod-Guide</i> Design	9-3
Modeling Strategy	9-4
Starting Autodesk Inventor	9-5
Applying the BORN Technique	9-5
Creating the Base feature	9-7
Creating an Angled Work Plane	9-9
Creating a 2D sketch on the work plane	9-10
Using the Projected Geometry option	9-10
Completing the Solid feature	9-14
Creating an Offset Work Plane	9-15
Creating another cut feature using the work plane	9-16
Starting a new 2D drawing	9-18
Adding a Base View	9-19
Creating an Auxiliary View	9-20
Displaying Feature Dimensions	9-22
Adjusting the View Scale	9-24
Adding Additional Dimensions	9-25
Adding Center Marks and Center Lines	9-27
Completing the Drawing Sheet	9-30
Editing the Isometric view	9-31
Questions	9-32
Exercises	9-33

## Chapter 10

### Symmetrical Features in Designs

Introduction	10-3
A Revolved Design: PULLEY	10-3
Modeling Strategy - A Revolved Design	10-4
Starting Autodesk Inventor	10-5
Setup the display of the Sketch Plane	10-5
Creating the 2-D Sketch for the Revolved feature	10-6
Creating the Revolved Feature	10-10
Mirroring Features	10-11
Creating A Pattern Leader Using Construction Geometry	10-13
Circular Pattern	10-18
Examining the design parameters	10-20
Drawing Mode – Defining New Border and Title Block	10-20
Creating a Drawing Template	10-23
Creating Views	10-24
Retrieve Dimensions – Features option	10-27
Associative Functionality – A Design Change	10-29
Adding Center lines to the Pattern feature	10-31
Completing the Drawing	10-32
Questions	10-35
Exercises	10-36

## Chapter 11

### Advanced 3D Construction Tools

Introduction	11-3
A Thin-Walled Design: <i>Dryer Housing</i>	11-3
Modeling Strategy	11-4
Starting Autodesk Inventor	11-5
Set up the display of the Sketch Plane	11-5
Creating the 2-D Sketch for the Base Feature	11-6
Create a Revolved Feature	11-9
Creating Offset Work Planes	11-10
Creating 2D sketches on the Offset Work Planes	11-11
Creating a Lofted Feature	11-14
Creating an Extruded Feature	11-16
Completing the Extruded Feature	11-18
Create 3D Rounds and Fillets	11-19
Using the Shell Operation	11-20
Create a Pattern Leader	11-21
Creating a Rectangular Pattern	11-24
Creating a Swept Feature	11-26
Define a 2D Sweep path	11-26

Define the Sweep Section	11-28
Completing the Swept Feature	11-30
Questions	11-32
Exercises	11-33

## **Chapter 12**

### **Sheet Metal Designs**

Sheet Metal Processes	12-3
Sheet Metal Modeling	12-5
K-Factor	12-6
The Actuator Bracket Design	12-7
Starting Autodesk Inventor	12-8
Sheet Metal Defaults	12-9
Creating the Base Face Feature of the Design	12-12
Using the Flange Command	12-15
Mirroring Features	12-19
Creating a Cut Feature	12-20
Creating a Fold Feature	12-21
Creating the Associated Flat Pattern	12-25
Confirm the Flattened Length	12-26
Creating a 2D Sheet Metal drawing	12-27
Questions	12-34
Exercises	12-35

## **Chapter 13**

### **Assembly Modeling - Putting It All Together**

Introduction	13-3
Assembly Modeling Methodology	13-4
The Shaft Support Assembly	13-5
Additional <i>Parts</i>	13-5
(1) Collar	13-5
(2) Bearing	13-6
(3) Base-Plate	13-6
(4) Cap-Screw	13-7
Starting Autodesk Inventor	13-8
Placing the First Component	13-9
Placing the Second Component	13-10
Degrees of Freedom and Constraints	13-11
Assembly Constraints	13-12
Apply the First Assembly Constraint	13-14
Apply a Second Mate Assembly Constraint	13-16
Constrained Move	13-17
Apply a Flush Constraint	13-18



Placing the Third Component	13-20
Applying an Insert Constraint	13-20
Assemble the Cap-Screws	13-22
Exploded View of the Assembly	13-23
Editing the Components	13-25
Adaptive Design Approach	13-26
Delete and Re-apply Assembly Constraints	13-30
Setup a Drawing of the Assembly Model	13-32
Creating a Parts List	13-34
Editing the Parts List	13-35
Changing the Material Type	13-37
Completing the Assembly Drawing	13-39
Bill of Materials	13-40
(a) BOM from Parts List	13-40
(b) BOM from Assembly Model	13-41
Questions	13-43
Exercises	13-44

## **Chapter 14**

### **Content Center and Basic Motion Analysis**

Introduction	14-3
The Crank-Slider Assembly	14-4
Creating the required Parts	14-4
Starting Autodesk Inventor	14-6
Placing the First Component	14-7
Placing the Second Component	14-8
Applying the Assembly Constraints	14-9
Apply a Second MATE Constraint	14-10
Constrained Move	14-11
Placing the Third Component	14-11
Assemble the CS-Rod part	14-13
Making a Copy of the PIN part	14-14
Assemble the CS-Slider Part	14-15
Adding an Angle Constraint to Fully Constrain the Assembly	14-18
Interference Analysis	14-20
Basic Motion Analysis	14-21
3D Grip Editing the CS-Slider Part	14-24
Questions	14-28
Exercises	14-29

---

## **Chapter 15**

### **2D Design Reuse, Collision and Contact**

Introduction	15-3
The Geneva CAM Assembly	15-4
Internet Downloading the Geneva-Wheel DWG file	15-4
Opening AutoCAD DWG file in Inventor	15-5
Using the Measuring Tools	15-6
Opening the AutoCAD DWG Layout	15-8
2D Design Reuse	15-10
Completing the Imported Sketch	15-14
Creating the First Solid Feature	15-16
Creating a Mirrored Feature	15-17
Circular Pattern	15-18
Circular Pattern	15-19
Additional Parts	15-20
Starting a New Assembly	15-22
Placing the Second Component	15-23
Applying the Assembly Constraints	15-24
Apply a Second MATE Constraint	15-25
Assemble the Geneva-Driver	15-26
Assemble the Geneva-Pin	15-27
Adding an Angle Constraint to Constrain the Driver	15-28
Animation with Drive Constraint Tool	15-29
Using the Inventor Contact Solver	15-31
Constrained Move with Suppressed Constraints	15-33
Conclusion	15-34
Summary of Modeling Considerations	15-34
Questions	15-35
Exercises	15-36

## **Appendix**

## **Index**