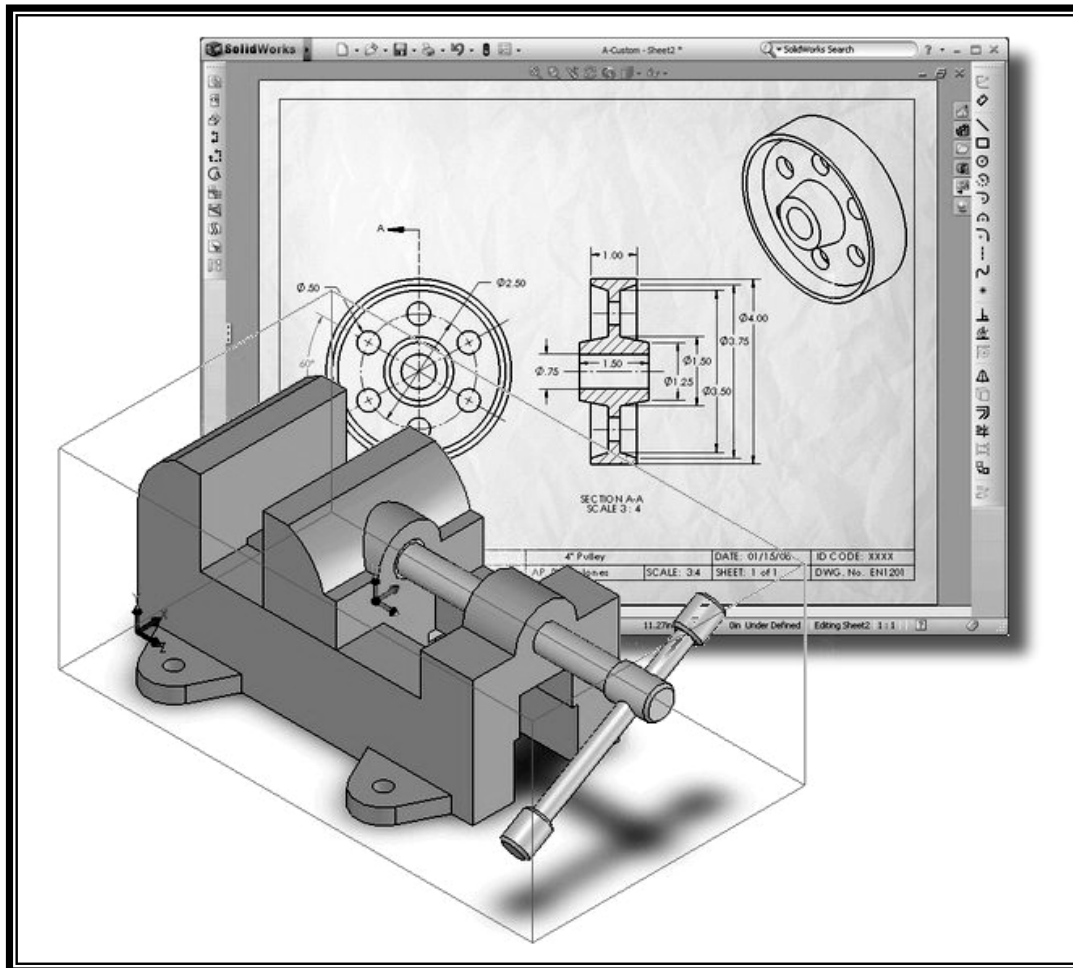


Parametric Modeling

With

SolidWorks 2009



Randy H. Shih
Oregon Institute of Technology

Paul J. Schilling
University of New Orleans

SDC
PUBLICATIONS
Schroff Development Corporation
www.schroff.com

Better Textbooks. Lower Prices.

SolidWorks Certification Program
The tutorials prepare students for
the Certified SolidWorks
Associate (CSWA)
Examination.

Table of Contents

Preface	i
Acknowledgments	ii
Table of Contents	iii
Certified SolidWorks Associate (CSWA) Exam Overview	xi
Chapter 1	
Getting Started	
Introduction	1-2
Development of Computer Geometric Modeling	1-2
Feature-Based Parametric Modeling	1-6
Getting Started with SolidWorks	1-7
Units Setup	1-9
SolidWorks Screen Layout	1-11
Mouse Buttons	1-16
[Esc] - Canceling Commands	1-16
On-Line Help	1-17
Leaving SolidWorks	1-17
Creating a CAD Files Folder	1-18
Chapter 2	
Parametric Modeling Fundamentals	
Introduction	2-3
The Adjuster design	2-4
Starting SolidWorks	2-4
SolidWorks Screen Layout	2-5
Units Setup	2-6
Creating Rough Sketches	2-7
Step 1: Creating a Rough Sketch	2-8
Graphics Cursors	2-8
Geometric Relation Symbols	2-10
Step 2: Apply/Modify Relations and Dimensions	2-11
Changing the Dimension Standard	2-12
Viewing Functions – Zoom and Pan	2-13
Modifying the Dimensions of the Sketch	2-14
Step 3: Completing the Base Solid Feature	2-15
Isometric View	2-16
Rotation of the 3-D Model – Rotate View	2-16
Rotation and Panning – Arrow keys	2-18
Viewing – Quick Keys	2-19
Viewing Tools – Heads-up View Toolbar	2-21
View Orientation	2-22
Display Style	2-23

Orthographic vs. Perspective	2-23
Customizing the Heads-up View Toolbar	2-23
Sketch Plane	2-24
Step 4-1: Adding an Extruded Boss Feature	2-26
Step 4-2: Adding an Extruded Cut Feature	2-29
Save the Model	2-31
Questions	2-33
Exercises	2-33

Chapter 3

Constructive Solid Geometry Concepts

Introduction	3-3
Binary Tree	3-4
The Locator Design	3-5
Modeling Strategy – CSG Binary Tree	3-6
Starting SolidWorks	3-7
<i>GRID</i> and <i>SNAP</i> Intervals Setup	3-8
Base Feature	3-9
Modifying the Dimensions of the Sketch	3-11
Repositioning Dimensions	3-11
Completing the Base Solid Feature	3-12
Creating the Next Solid Feature	3-13
Creating an Extruded Cut Feature	3-16
Creating a Hole with the Hole Wizard	3-19
Creating a Rectangular Extruded Cut Feature	3-22
Questions	3-25
Exercises	3-26

Chapter 4

Feature Design Tree

Introduction	4-3
Starting SolidWorks	4-4
Creating a User-Defined Part Template	4-5
The <i>Saddle Bracket</i> Design	4-9
Modeling Strategy	4-10
The <i>SolidWorks FeatureManager Design Tree</i>	4-11
Creating the Base Feature	4-11
Adding the Second Solid Feature	4-14
Creating a 2D sketch	4-15
Renaming the Part Features	4-17
Adjusting the Width of the Base Feature	4-18
Adding a Hole	4-19
Creating a Rectangular Extruded Cut Feature	4-21
History-Based Part Modifications	4-22
A Design change	4-23

Questions	4-26
Exercises	4-27

Chapter 5

Geometric Relations Fundamentals

DIMENSIONS and RELATIONS	5-3
Create a Simple Triangular Plate Design	5-3
Fully Defined Geometry	5-4
Starting SolidWorks	5-4
Displaying Existing Relations	5-5
Applying Geometric Relations/Dimensional Constraints	5-6
Over-Defining and Driven Dimensions	5-11
Deleting Existing Relations	5-12
Using the Fully Define Sketch Tool	5-13
Adding Additional Geometry	5-14
Relation Settings	5-17
Parametric Relations	5-18
Dimensional Values and Dimensional Variables	5-20
Parametric Equations	5-21
Viewing the Established Equations	5-22
Adding Linked Dimensions	5-24
Saving the Model File	5-28
Questions	5-29
Exercises	5-30

Chapter 6

Geometric Construction Tools

Introduction	6-3
The Gasket Design	6-3
Modeling Strategy	6-4
Starting SolidWorks	6-5
Creating a 2D Sketch	6-6
Editing the Sketch by Dragging the Entities	6-8
Adding Additional Relations	6-10
Using the <i>Trim</i> and <i>Extend</i> Commands	6-11
Adding Dimensions with the Fully Define Sketch Tool	6-14
Fully Defined Geometry	6-16
Creating Fillets and Completing the Sketch	6-17
Profile Sketch	6-18
Redefining the Sketch and Profile	6-19
Create an OFFSET Extruded Cut Feature	6-22
Questions	6-26
Exercises	6-27

Chapter 7

Parent/Child Relationships and the BORN Technique

Introduction	7-3
The BORN Technique	7-3
The U-Bracket Design	7-4
Starting SolidWorks	7-4
Applying the BORN Technique	7-5
Creating the 2-D Sketch of the Base Feature	7-6
Creating the First Extrude Feature	7-12
The Implied Parent/Child Relationships	7-12
Creating the Second Solid Feature	7-13
Creating the First Extruded Cut Feature	7-16
Creating the Second Extruded Cut Feature	7-17
Examining the Parent/Child Relationships	7-19
Modify a Parent Dimension	7-20
A Design Change	7-21
Feature Suppression	7-22
A Different Approach to the CENTER_DRILL Feature	7-23
Suppress the Rect_Cut Feature	7-24
Creating a Circular Extruded Cut Feature	7-25
A Flexible Design Approach	7-27
Save Part File	7-28
Questions	7-29
Exercises	7-30

Chapter 8

Part Drawings and Associative Functionality

Drawings from Parts and Associative Functionality	8-3
Starting SolidWorks	8-4
Drawing Mode	8-4
Setting Document Properties	8-7
Setting Sheet Properties using the Pre-Defined Sheet Formats	8-8
Open the Drawing Toolbar	8-8
Creating Three Standard Views	8-9
Repositioning Views	8-9
Adding a New Sheet	8-10
Adding a Base View	8-11
Adding an Isometric View using the View Palette	8-13
Adjusting the View Scale	8-14
Displaying Feature Dimensions	8-15
Repositioning, Appearance, and Hiding of Feature Dimensions	8-16
Adding Additional Dimensions – Reference Dimensions	8-18
Tangent Edge Display	8-20
Adding Center Marks, Center Lines, and Sketch Objects	8-20
Edit Sheet vs. Edit Sheet Format	8-24

Completing the Drawing Sheet	8-24
Property Links	8-26
Associative Functionality – Modifying Feature Dimensions	8-31
Saving the Drawing File	8-34
Saving a Drawing Template	8-34
Questions	8-36
Exercises	8-37

Chapter 9

Reference Geometry and Auxiliary Views

Reference Geometry	9-3
Auxiliary Views in 2D Drawings	9-3
The <i>Rod-Guide</i> Design	9-3
Modeling Strategy	9-4
Starting SolidWorks	9-5
Applying the BORN Technique	9-5
Creating the Base Feature	9-6
Creating an Angled Reference Plane	9-8
Creating a 2D sketch on the Reference Plane	9-11
Using the Convert Entities Option	9-11
Completing the Solid Feature	9-15
Creating an Offset Reference Plane	9-16
Creating another Extruded Cut Feature using the Reference Plane	9-17
Starting a New 2D Drawing and Adding a Base View	9-19
Creating an Auxiliary View	9-20
Displaying Feature Dimensions	9-22
Adjusting the View Scale	9-23
Repositioning, Appearance, and Hiding of Feature Dimensions	9-24
Tangent Edge Display	9-26
Adding Center Marks and Center Lines	9-27
Controlling the View and Sheet Scales	9-29
Completing the Drawing Sheet	9-30
Editing the Isometric view	9-32
Questions	9-33
Exercises	9-34

Chapter 10

Symmetrical Features in Designs

Introduction	10-3
A Revolved Design: PULLEY	10-3
Modeling Strategy - A Revolved Design	10-4
Starting SolidWorks	10-5
Creating the 2-D Sketch for the Base Feature	10-5
Creating the Revolved Feature	10-9

Mirroring Features	10-10
Creating an Extruded Cut Feature using Construction Geometry	10-11
Circular Pattern	10-16
Drawing Mode – Defining a New Border and Title Block	10-18
Creating a New Drawing Template	10-21
Creating Views	10-22
Retrieve Dimensions – Model Items Command	10-25
Save the Drawing File	10-26
Associative Functionality – A Design Change	10-27
Adding Center lines to the Pattern Feature	10-29
Completing the Drawing	10-30
Questions	10-33
Exercises	10-34

Chapter 11

Advanced 3D Construction Tools

Introduction	11-3
A Thin-Walled Design: <i>Dryer Housing</i>	11-3
Modeling Strategy	11-4
Starting SolidWorks	11-5
Creating the 2-D Sketch for the Base Feature	11-5
Create a Revolved Boss Feature	11-8
Creating Offset Reference Planes	11-9
Creating 2D Sketches on the Offset Reference Planes	11-10
Creating a Lofted Feature	11-13
Creating an Extruded Boss Feature	11-15
Completing the Extruded Boss Feature	11-16
Create 3D Rounds and Fillets	11-17
Creating a Shell Feature	11-18
Create a Rectangular Extruded Cut Feature	11-19
Creating a Linear Pattern	11-21
Creating a Swept Feature	11-24
Questions	11-29
Exercises	11-30

Chapter 12

Assembly Modeling - Putting It All Together

Introduction	12-3
Assembly Modeling Methodology	12-3
The Shaft Support Assembly	12-4
Parts	12-4
Creating the Collar using the Chamfer Command	12-4
Creating the Bearing and Base-Blade	12-6
Creating the Cap-Screw	12-7

Starting SolidWorks	12-8
Document Properties	12-8
Inserting the First Component	12-9
Inserting the Second Component	12-10
Degrees of Freedom	12-11
Assembly Mates	12-11
Apply the First Assembly Mate	12-13
Apply a Second Mate	12-14
Constrained Move	12-15
Apply a Third Mate	12-16
Inserting the Third Component	12-19
Applying Concentric and Coincident Mates	12-19
Assemble the Cap-Screws using SmartMates	12-21
Exploded View of the Assembly	12-25
Save the Assembly Model	12-27
Editing the Components	12-27
Setup a Drawing of the Assembly Model	12-29
Creating a Bill of Materials	12-30
Editing the Bill of Materials	12-32
Completing the Assembly Drawing	12-34
Exporting the Bill of Materials	12-37
Conclusion	12-37
Summary of Modeling Considerations	12-38
Questions	12-38
Exercises	12-39

Chapter 13

Design Library and Basic Motion Study

Introduction	13-3
The Crank-Slider Assembly	13-4
Creating the Required Parts	13-4
Mate References	13-7
Starting SolidWorks	13-9
Document Properties	13-9
Inserting First Component	13-10
Apply Assembly Mates	13-12
Apply a Second Mate	13-13
Constrained Move	13-14
Placing the Third Component using a Mate Reference	13-14
Assemble the CS-Rod Part	13-15
Inserting Pin from the SolidWorks Toolbox	13-16
Assemble the CS-Slider Part	13-18
Adding an Angle-Mate	13-20
Collision Detection	13-21
Editing the CS-Slider Part in the Assembly	13-23
Basic Motion Analysis	13-24

Questions	13-26
Exercises	13-27

Chapter 14

Design Analysis with SimulationXpress

Introduction	14-3
The SimulationXpress Wizard Interface	14-4
Problem Statement	14-5
Preliminary Analysis	14-5
SolidWorks SimulationXpress Study of the Flat Plate	14-7
Getting Started – Create the SolidWorks Part	14-7
Create a SimulationXpress Study	14-9
Viewing SimulationXpress Results	14-12
Accuracy of Results	14-15
Creating an HTML Report and Closing SimulationXpress	14-18
Questions	14-21
Exercises	14-22

Chapter 15

CSWA Exam Preparation

Tips about Taking the Certified SolidWorks Associate Examination	15-3
Introduction	15-4
The Part Problem	15-5
Strategy for Aligning the Part to the Default Axis System	15-6
Creating the Base Feature	15-6
Creating a New View Orientation	15-8
Completing the Part	15-10
Selecting the Material and Viewing the Mass Properties	15-16
The Assembly Problem	15-19
Creating the Parts	15-20
Creating the Assembly	15-21
Creating a Reference Coordinate System	15-27
View the Mass Properties	15-30
Questions	15-32
Exercises	15-33

Index