

# Official Certified SolidWorks Associate (CSWA) Examination Guide

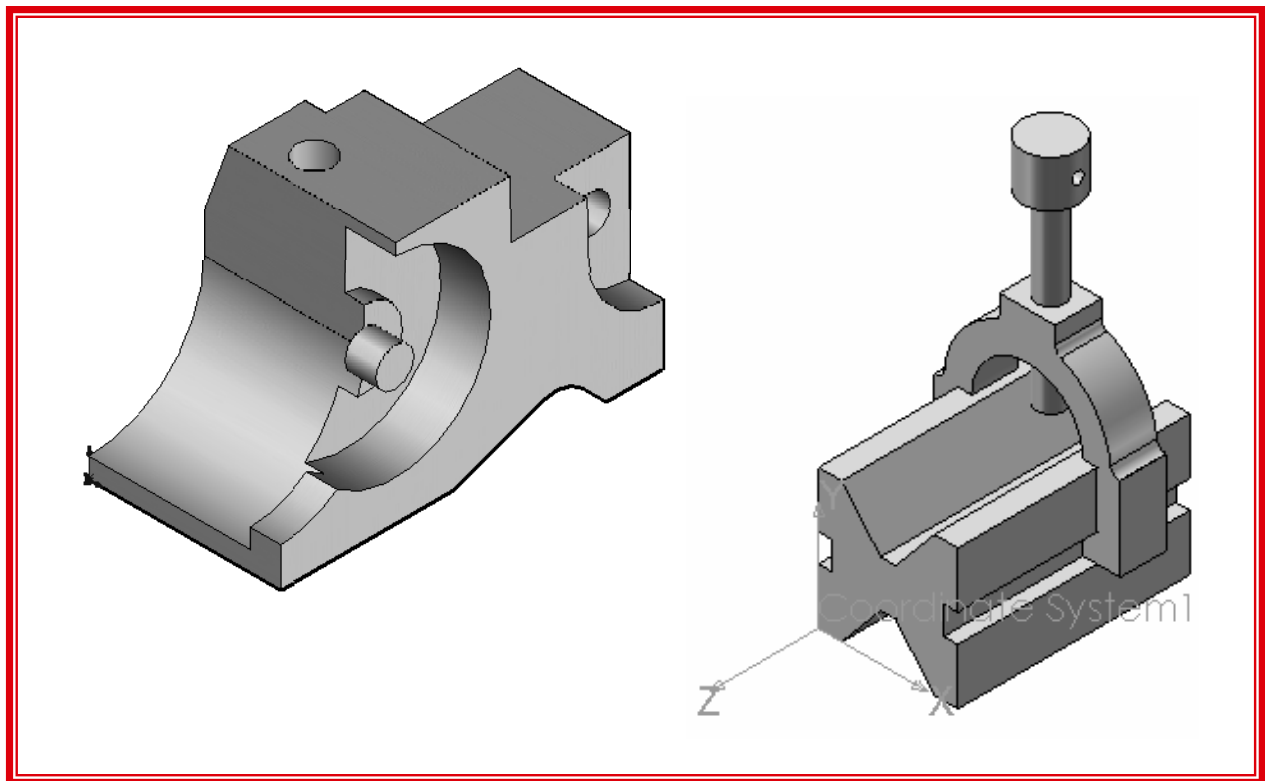
SolidWorks 2008

SolidWorks 2009

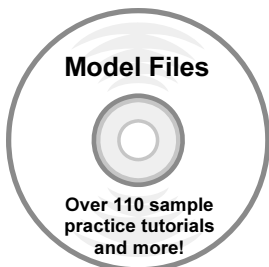
SolidWorks 2010

The only authorized CSWA preparation exam guide

By David C. Planchard & Marie P. Planchard (CSWP)



CD INSIDE:



**SDC**  
PUBLICATIONS

Schroff Development Corporation

[www.schroff.com](http://www.schroff.com)



---

# TABLE OF CONTENTS

Introduction	I-1
Goals	I-1
CSWA audience	I-2
Book organization	I-2
About the CSWA exam	I-4
CSWA Certification	I-5
Exam day	I-5
When I pass	I-11
CSWA Provider	I-13
Syntax and organization	I-14
References	I-15
Table of Contents	I-16
Appendix	A-1
Index	
<b>Chapter 1 – SolidWorks 2009 User Interface</b>	<b>1-1</b>
Objectives	1-1
SolidWorks	1-2
Concepts in SolidWorks	1-2
User Interface (UI)	1-4
Menu Bar toolbar	1-4
Menu Bar menu	1-5
Drop-down menu	1-5
Right-click Pop-up menus	1-6
Consolidated fly-out buttons	1-6
System Feedback	1-6
Heads-up View toolbar	1-7
CommandManager	1-9
Task Pane	1-12
SolidWorks Resources	1-12
Design Library	1-13
File Explorer	1-13
Search	1-13
View Palette	1-14
Appearances / Scenes	1-14
Custom Properties	1-14
Document Recovery	1-14
Motion Study	1-15
FeatureManager Design Tree	1-16
Fly-out FeatureManager	1-18
3D Modeling	1-19
How parts, assemblies and drawings are related	1-19
Summary	1-20

Terms	1-20
<b>Chapter 2 – Basic Theory and Drawing Theory</b>	<b>2-1</b>
Objectives	2-1
3D Modeling techniques	2-3
How parts, assemblies, and drawings are related	2-3
Tutorial: Associativity 2-1	2-3
Identify the Feature type by icon in the FeatureManager	2-5
Tutorial: Identify model features 2-1	2-6
Tutorial: Identify model features 2-2	2-6
Tutorial: Identify model features 2-3	2-7
Tutorial: Identify model features 2-4	2-7
Tutorial: Identify model features 2-5	2-8
Identify dimensions and parameters	2-9
Tutorial: Identify dimensions and parameters 2-1	2-9
Tutorial: Identify dimensions and parameters 2-2	2-10
Tutorial: Identify dimensions and parameters 2-3	2-11
Identify the correct reference planes: Top, Right, and Front	2-12
2D sketching / reference planes	2-13
Tutorial: Reference plane 2-1	2-14
Tutorial: Reference plane 2-2	2-15
Determine the design intent for a model	2-17
Design intent in a sketch	2-17
Design intent in a feature	2-18
Design intent in a part	2-19
Design intent in an assembly	2-19
Design intent in a drawing	2-19
Tutorial: Design intent 2-1	2-20
Tutorial: Design intent 2-2	2-20
Identify material, measure, and mass properties	2-21
Assign and edit material	2-21
Tutorial: Assign and edit material 2-1	2-21
Tutorial: Assign and edit material 2-2	2-22
Measure tool	2-22
Tutorial: Measure tool 2-1	2-23
Tutorial: Measure tool 2-2	2-23
Locate the Center of mass, and Principal moments of inertia	2-24
Tutorial: Mass Properties 2-1	2-25
Tutorial: Mass Properties 2-2	2-26
File formats for input and export	2-27
Tutorial: File format 2-1	2-27
Tutorial: File format 2-2	2-28
Tutorial: File format 2-3	2-28
Process of creating a simple drawing	2-29
Tutorial: Drawing process 2-1	2-29
Tutorial: Drawing process 2-2	2-32

Drawing section - icons	2-33
Tutorial: Drawing name view type 2-1	2-33
Tutorial: Drawing name view type 2-2	2-34
Procedure to create a Named Drawing view	2-35
Tutorial: Drawing name procedure 2-1	2-36
Tutorial: Drawing name procedure 2-2	2-36
Tutorial: Drawing name procedure 2-3	2-36
Tutorial: Drawing name procedure 2-4	2-37
Tutorial: Drawing name procedure 2-5	2-37
Tutorial: Drawing name procedure 2-6	2-38
Tutorial: Drawing name procedure 2-7	2-38
Tutorial: Drawing name procedure 2-8	2-39
Engineering Documentation Practices	2-39
Document Properties	2-40
Tutorial: Document properties 2-1	2-41
Tutorial: Document properties 2-2	2-41
Summary	2-41
Terms	2-42
Questions / Problems	2-44
<b>Chapter 3: Part Modeling</b>	<b>3-1</b>
Objectives	3-1
Read and understand an Engineering document	3-2
Tutorial: Simple part 3-1	3-2
Build a simple part from a detailed dimensioned illustration	3-4
Tutorial: Simple part 3-2	3-5
Tutorial: Simple part 3-3	3-6
Tutorial: Simple part 3-4	3-7
Tutorial: Volume / Center of mass 3-1	3-9
Tutorial: Volume / Center of mass 3-2	3-10
Tutorial: Mass-Volume 3-3	3-13
Tutorial: Mass-Volume 3-4	3-14
Tutorial: Simple Cut 3-1	3-17
Tutorial: Mass-Volume 3-5	3-18
Tutorial: Mass-Volume 3-6	3-20
Tutorial: Mass-Volume 3-7	3-22
2D vs. 3D Sketching	3-24
Tutorial: 3DSketch 3-1	3-24
Tutorial: Mass-Volume 3-8	3-26
Tutorial: Mass-Volume 3-9	3-28
Callout value	3-31
Tolerance type	3-31
Tutorial: Dimension text 3-1	3-32
Tutorial: Dimension text 3-2	3-32
Tutorial: Dimension text 3-3	3-33

Dimension text symbols	3-33
Tutorial: Dimension text symbols 3-1	3-34
Tutorial: Dimension text symbols 3-2	3-34
Build additional simple parts	3-35
Tutorial: Mass-Volume 3-10	3-35
Tutorial: Mass-Volume 3-11	3-37
Tutorial: Mass-Volume 3-12	3-39
Tutorial: Mass-Volume 3-13	3-40
Tutorial: Mass-Volume 3-14	3-42
Tutorial: Mass-Volume 3-15	3-43
Tutorial: Mass-Volume 3-16	3-45
Tutorial: Basic-part 3-1	3-47
Tutorial: Basic-part 3-2	3-50
Tutorial: Basic-part 3-3	3-53
Tutorial: Basic-part 3-4	3-56
Summary	3-58
Terms	3-58
Questions / problems	3-60
<b>Chapter 4: Advanced Part Modeling</b>	<b>4-1</b>
Objectives	4-1
Build an Advanced part from a detailed dimensioned illustration	4-2
Tutorial: Advanced Part 4-1	4-2
Tutorial: Advanced Part 4-2	4-6
Tutorial: Advanced Part 4-3	4-9
Tutorial: Advanced Part 4-4	4-12
Calculate the Center of mass relative to a created coordinate system	4-17
Tutorial: Coordinate location 4-1	4-17
Tutorial: Coordinate location 4-2	4-19
Tutorial: Advanced part 4-5	4-20
Tutorial: Advanced part 4-5A	4-24
Tutorial: Advanced part 4-5B	4-25
Tutorial: Advanced part 4-6	4-27
Tutorial: Advanced part 4-6A	4-33
Tutorial: Advanced part 4-7	4-33
Summary	4-39
Terms	4-39
Questions / problems	4-41
<b>Chapter 5: Assembly Modeling</b>	<b>5-1</b>
Objectives	5-1
Assembly modeling	5-2
Top-down	5-2
Bottom-up	5-2
Mates	5-3
Standard mates	5-3

Create mates	5-4
Tutorial: Standard mate 5-1	5-5
Tutorial: Standard mate 5-2	5-6
Tutorial: Standard mate 5-3	5-7
Tutorial: Standard mate 5-4	5-7
Build an assembly for a detailed dimensioned illustration	5-9
Tutorial: Assembly model 5-1	5-10
Tutorial: Assembly model 5-2	5-19
Tutorial: Assembly model 5-3	5-26
Mate the first component with respect to the assembly reference planes	5-36
Summary	5-39
Terms	5-40
Questions / problems	5-42
<b>Chapter 6: Advanced Modeling Theory and Analysis</b>	<b>6-1</b>
Objectives	6-1
Definitions	5-1
SimulationXpress / COSMOSXpress	6-8
SimulationXpress / COSMOSXpress User Interface	6-9
Tutorial: SimulationXpress 6-1	6-11
Tutorial: SimulationXpress 6-2	6-18
Tutorial: SimulationXpress 6-3	6-20
Summary	6-26
Terms	6-27
Questions / problems	6-30
<b>Appendix</b>	<b>A-1</b>
Questions answer key	A-1
Chapter 2	A-1
Chapter 3	A-3
Chapter 4	A-4
Chapter 5	A-5
Chapter 6	A 6
CSWP	A-8

**Index**