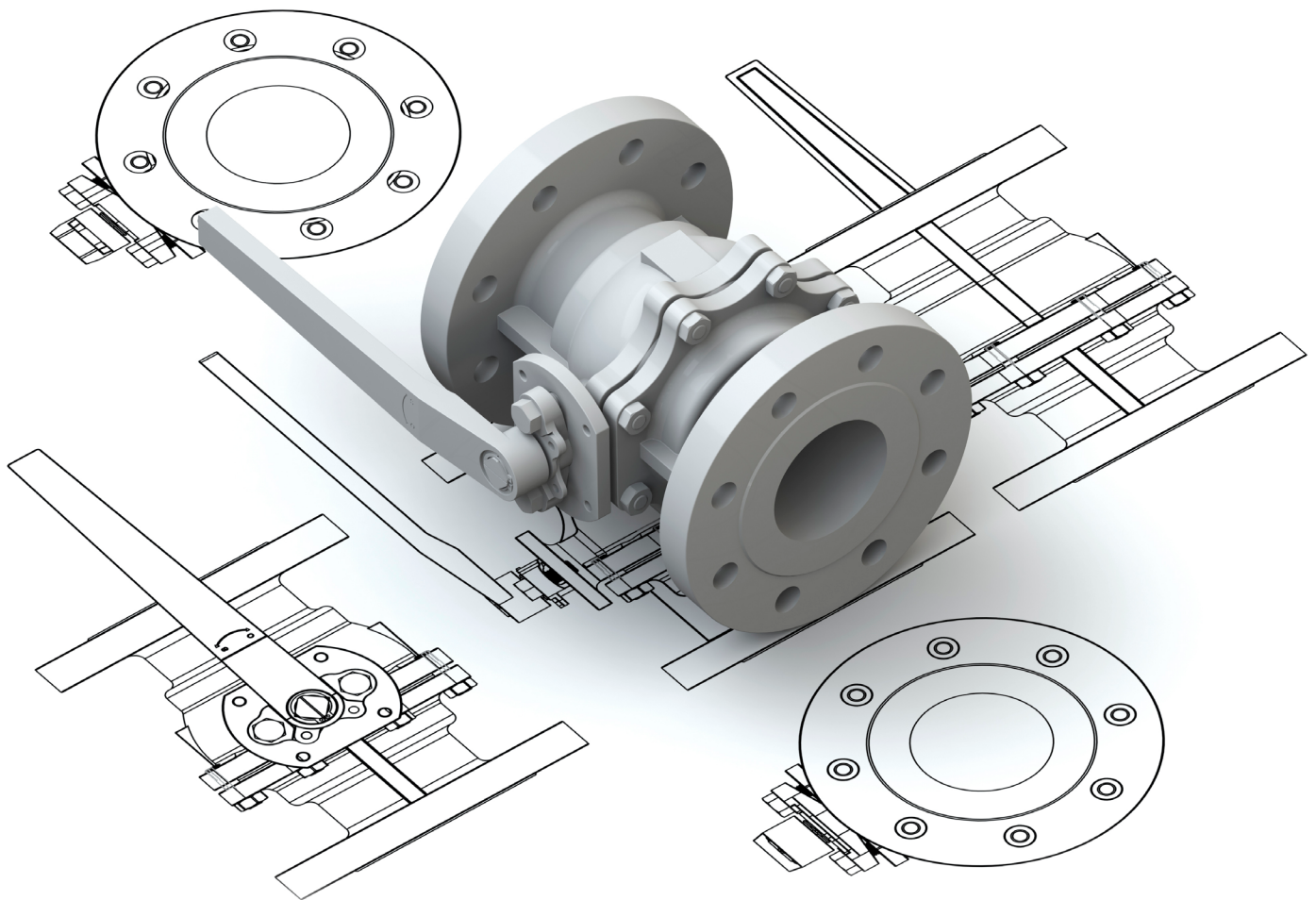


Drawing and Detailing with SolidWorks® 2014

Referencing the ASME Y14 Engineering Drawing
and Related Documentation Practices

NEW
Includes preparation for
the CSWP-DRWT certification



David C. Planchard, CSWP,
SolidWorks Accredited Educator

**Supplemental
Files**

Tutorial files on
enclosed disc

SDC
PUBLICATIONS

Better Textbooks. Lower Prices.
www.SDCpublications.com

Visit the following websites to learn more about this book:



[amazon.com](https://www.amazon.com)

[Google books](https://books.google.com)

[BARNES & NOBLE](https://www.barnesandnoble.com)

TABLE OF CONTENTS

Introduction	I-1
About the Cover	I-2
About the Author	I-2
Dedication	I-3
Contact the Author	I-3
Note to Instructors	I-4
Trademarks, Disclaimers, and Copyrighted Material	I-4
References	I-4
Table of Contents	I-7
What is SolidWorks	I-17
Design Intent	I-22
Overview of Chapters	I-25
Chapter 1: History of Engineering Graphics	I-25
Chapter 2: Isometric Projection and Multi View Drawings	I-25
Chapter 3: Dimensioning Practices, Tolerancing and Fasteners	I-26
Chapter 4: SolidWorks 2014 User Interface	I-27
Chapter 5: Introduction to SolidWorks Part Modeling	I-28
Chapter 6: Drawing Templates and Sheet Formats	I-28
Chapter 7: Drawing and Various Drawing Views	I-28
Chapter 8: Assembly Drawings	I-29
Chapter 9: Datums, Feature Control Frames, Geometric Tolerancing and Symbols	I-29
Chapter 10: Introduction to the CSWA exam	I-30
Chapter 11: Advanced Drawing Tools Certification (CSWP-DRWT)	I-31
About the Book	I-32
Windows Terminology in SolidWorks	I-33
Chapter 1 - History of Engineering Graphics	I-1
Chapter Overview	I-3
History of Engineering Graphics	I-3
Global vs. Local Coordinate System	I-6
2D Cartesian Coordinate System	I-7
3D Cartesian Coordinate System	I-8
Absolute Coordinates	I-10
Relative Coordinates	I-10
Polar Coordinates	I-11
Cylindrical and Spherical Coordinates	I-11
Free Hand Sketching	I-12
General Sketching Techniques	I-12
Geometric Entities	I-14
Points	I-14
Lines	I-14
Planes	I-15
Circles	I-15
Arcs	I-16
Solid Primitives	I-16
Alphabet of Lines	I-17
Visible line	I-17

Hidden line	1-17
Dimension line	1-18
Extension line	1-18
Leader line	1-19
Break line	1-20
Centerline	1-20
Phantom line	1-21
Section line	1-21
Cutting Plane line	1-22
Precedence of Line Types	1-23
Alphabet of Lines - Exercises	1-25
Projections in General	1-27
Projection Types	1-29
Parallel Projection	1-29
Perspective Projection	1-29
Orthographic Projection	1-29
Oblique Projection	1-29
Multiview Projection	1-30
Orient and Select the Front View	1-30
Orthographic Project - Third Angle	1-31
Glass Box - Six Principal Views	1-32
Height, Width, and Depth Dimensions	1-35
Transferring Dimensions	1-35
Sheet Media	1-36
ANSI Standard Sheet sizes	1-36
Orthographic Projection - Exercises	1-37
Planes (Normal, Inclined and Oblique)	1-42
Plane - Exercises	1-43
Chapter Summary	1-49
Chapter Terminology	1-50
Questions/Exercises	1-53
Chapter 2 - Isometric Projection and Multi View Drawings	2-1
Chapter Overview	2-3
Isometric Projections	2-3
Isometric Sketching	2-5
Circles drawn in Axonometric Views	2-7
Additional Projections	2-9
Oblique Projections	2-9
Arrangement of Views	2-13
Two View drawing	2-14
One View drawing	2-16
Drawing - Exercises	2-19
Drawing views - Advanced	2-21
Section View	2-21
Detail View	2-23
Broken out View	2-24
Break or Broken View	2-25
Crop View	2-26
Auxiliary View	2-27
Exercises	2-27

History of Computer Aided Design (CAD)	2-28
Boolean operation	2-29
What is SolidWorks?	2-31
Design Intent	2-33
Design intent in the sketch	2-33
Design intent in the feature	2-34
Design intent in the part	2-35
Design intent in the assembly	2-35
Design intent in the drawing	2-35
Chapter Summary	2-36
Chapter Terminology	2-36
Questions/Exercises	2-39
Chapter 3 - Dimensioning Practices, Scales, Tolerancing and Fasteners	3-1
Chapter Overview	3-3
American National Standards Institute (ANSI)	3-3
Dimensioning	3-4
Location	3-4
Size	3-4
Measurement - units	3-5
Metric / SI	3-5
English	3-5
Dual	3-6
Scales	3-7
Architect's scale	3-7
Engineer's scale	3-7
Linear encoder	3-7
Vernier scale	3-7
Standards for Dimensioning	3-8
Linear dimension	3-8
Stagger dimension	3-8
Aligned dimension	3-9
Angular dimension	3-10
Chamfer dimension	3-10
Slot dimension	3-10
Radius dimension	3-11
Simple hole dimension	3-12
Fastener dimension	3-13
Cylindrical dimension	3-13
Equally spaced hole dimension	3-15
Hole dimension location	3-15
Point / Center of a circle dimension	3-16
Arc dimension	3-16
Order of Preference - linear dimension line	3-17
Precision	3-17
Size Dimension	3-18
Continuous Dimensions	3-19
Principles of good Dimensioning	3-20
Precision and Tolerance	3-26
Tolerance for a drawing	3-27

General Tolerance - Title Block	3-27
Local Tolerance - Dimension	3-28
Limit Tolerance	3-28
Unilateral Tolerance	3-29
Bilateral Tolerance	3-29
Formatting inch Tolerance	3-29
Metric Dimension Specifications	3-30
Toleranced Parts and Important Terms	3-30
Fit - Hole Tolerance	3-31
Fit Types between Mating Parts	3-31
Clearance Fit	3-32
Interference Fit	3-32
Transition Fit	3-32
Fasteners in General	3-34
Representing External (Male) Threads	3-34
Cutting External (Male) Threads	3-35
Die	3-35
Lathe	3-35
Representing Internal (Female) Threads	3-36
Cutting Internal (Female) Threads	3-36
Taper	3-37
Plug	3-37
Bottoming	3-37
American National Standard and Unified Screw Threads	3-38
Single vs. Double or Triple Threads	3-38
Pitch and Major Diameter	3-39
Thread Class of Fit	3-39
Class 1	3-39
Class 2	3-39
Class 3	3-39
General Thread Notes	3-40
Dimensioning a CounterBore Hole	3-41
Dimensioning a CounterSink Hole	3-41
Chapter Summary	3-42
Chapter Terminology	3-42
Questions/Exercises	3-43
Chapter 4 - SolidWorks 2014 User Interface	4-1
Chapter Overview	4-3
Start a SolidWorks 2014 Session	4-3
SolidWorks UI and CommandManager	4-5
Menu bar toolbar	4-5
Menu bar menu	4-5
Drop-down menu	4-6
Right-click Context toolbar	4-6
Fly-out tool buttons / Consolidated menu	4-6
System feedback icons	4-7
Confirmation Corner	4-7
Heads-up View toolbar	4-7
CommandManager - Part	4-11
CommandManager - Drawing	4-12

CommandManager - Assembly	4-13
CommandManager - Float / Dock	4-14
FeatureManager Design Tree	4-15
FeatureManager design tree tab	4-15
PropertyManager tab	4-15
ConfigurationManager tab	4-15
DisplayManager tab	4-15
Fly-out FeatureManager	4-17
Task Pane	4-18
SolidWorks Forum	4-18
SolidWorks Resources	4-19
Design Library	4-19
Search	4-20
File Explorer	4-20
View Palette	4-20
Appearances, Scenes, and Decals	4-21
Custom Properties	4-21
Document Recover	4-21
Motion Study tab	4-22
Animation	4-22
Basic Motion	4-22
New Part	4-23
SolidWorks Default Graphics area	4-25
SolidWorks Help	4-26
SolidWorks Tutorials	4-27
Chapter Summary	4-28
Chapter Terminology	4-29
Chapter 5 - Drawing Templates and Sheet Formats	5-1
Chapter Objective	5-3
Chapter Overview	5-4
Engineering Drawing and Related Documentation Practices	5-5
File Management	5-6
Default Drawing Templates, Sheet Format and Sheet Size	5-7
New SolidWorks Document	5-8
Sheet Format/Size	5-9
ASME Y14.1 Drawing Sheet Size and Format	5-10
Line Format Toolbar	5-13
Cursor Feedback	5-15
Sheet Properties	5-16
Display Styles / Modes	5-17
System Options	5-18
Document Properties	5-19
Font	5-20
Arrowheads	5-21
Line Widths	5-22
Line Font	5-23
Document Properties-Dimensions	5-24
Drafting (Dimensioning) Standard	5-25
Dual Dimensions Display Option	5-25
Fixed Size Weld Symbols Option	5-25

Display Datums per 1982 Option	5-26
Leading Zeroes and Trailing Zeroes Option	5-26
Alternative Section Display Option	5-26
Centerline Extension and Center Marks Option	5-26
Auto Insert on Vies Creation Option	5-27
Extension Lines Option	5-27
Datum Feature Option	5-28
Surface Finish Symbols	5-28
Break Line Option	5-28
Automatic Update on BOM Option	5-28
Cosmetic Thread Display Option	5-28
Document Properties, Annotations Font	5-31
Notes Font	5-31
Dimension Font	5-31
Auxiliary View / Auxiliary View Label Font	5-32
Detail View / Detail View Label Font	5-32
Section View / Section View Label Font	5-33
Annotations Arrow Font	5-33
Tables Font	5-34
Document Properties, Dimension Option	5-35
Offset Distances Option	5-35
Arrows Option	5-36
Break Dimension / Extension Option	5-36
Bent Leader Length Option	5-36
Document Properties-Notes and Balloons Option	5-38
Document Properties - Arrows	5-39
Document Properties - Line Font	5-40
Predefined and Projected Views	5-41
Save As	5-43
Sheet Format	5-46
Title Block Notes and Properties	5-53
System Properties	5-53
User Defined Properties	5-55
Linked Notes	5-55
Size, Sheet and Scale Properties	5-58
Custom Property and Logo Picture	5-60
User Defined Custom Properties	5-62
Copy / Paste Custom Properties	5-62
Custom Properties in a Part or Assembly	5-64
General Notes	5-66
Tables	5-67
Save Sheet Format and Drawing Template	5-71
A (ANSI) Size Drawing Template	5-73
Chapter Summary	5-74
Chapter Terminology	5-75
Questions / Exercises	5-79
Chapter 6 - Drawings and Various Drawing Views	6-1
Chapter Objective	6-3
Chapter Overview	6-4
Fundamentals of Orthographic Projection	6-8

ROD Part and Configurations	6-11
ROD Drawing: Sheet1 - Short ROD Configuration	6-16
View Boundary Properties and Lock View Options	6-20
ROD Drawing: Sheet2 - Long ROD Configuration	6-21
ROD Drawing: Sheet3 - Long ROD Configuration - additional views	6-25
Section View tool	6-29
Section tab	6-29
Section View pop-up menu	6-30
Half Section tab	6-30
Section View PropertyManager	6-31
ROD Drawing - Revolved Section View	6-33
ROD Drawing - Broken Isometric View	6-36
TUBE Part	6-40
TUBE Drawing	6-44
TUBE Drawing - Section View and Detail View	6-47
TUBE Drawing - Broken-out Section View, Auxiliary View and Crop View	6-49
TUBE Drawing - Half Section Isometric (Cut-Away View)	6-55
COVERPLATE Drawing	6-60
COVERPLATE Drawing-Offset Section View and Aligned Section View	6-64
Additional View Options and View Properties	6-69
Multi-view Drawings - View Layout Toolbar	6-73
Auxiliary View	6-73
Rotate Drawing View	6-74
Alternative Position View	6-77
Empty View	6-77
Relative to Model View	6-78
Chapter Summary	6-79
Chapter Terminology	6-79
Questions / Exercises	6-83
Chapter 7 - Fundamentals of Detailing	7-1
Chapter Objective	7-3
Chapter Overview	7-3
Tolerance Type	7-11
TUBE Drawing - Detailing	7-11
Hide Dimensions	7-16
Show Dimensions	7-16
TUBE Detailing - Section View, Top View, and Detail View	7-17
TUBE Drawing - Detailing Detail View and Front View	7-25
TUBE Drawing - Detailing Right View, Back View and Holes	7-32
TUBE Drawing - Adding Dimensions	7-38
Detailing Tips	7-43
COVERPLATE Drawing – Detailing	7-46
Modifying Features	7-58
Additional Information - Dimensioning Features	7-60
Dimension PropertyManager	7-60
Dimension Assist Tools	7-60
Style	7-61
Tolerance / Precision	7-61
Primary Value	7-63
Text Dimension	7-63

Dual Dimension	7-64
Dimension Leaders PropertyManager	7-65
Witness / Leader Display	7-65
Leader Style	7-65
Break Line	7-66
Custom Text Position	7-66
Arc Condition	7-66
Dimension Other PropertyManager	7-66
Override Units	7-67
Text Fonts	7-67
Options	7-67
Layer	7-68
Dimension Properties Dialog Box	7-68
Hide Dimension Line, Hide Extension Line and Driven	7-69
Dimension Schemes	7-70
Foreshortened Radii	7-70
Partially Rounded Ends, Center/Min/Max Arc Condition	7-71
Display Option, Offset Text	7-72
Slotted Holes	7-72
Grid/Snap	7-74
Location of Features	7-74
Base Line Dimensioning	7-74
Ordinate Dimension	7-75
View Layout Toolbar and Annotation Toolbar	7-76
Chapter Summary	7-77
Chapter Terminology	7-78
Questions / Exercises	7-82
Chapter 8 - Assembly Drawings	8-1
Chapter Objective	8-3
Chapter Overview	8-3
CYLINDER Assembly - Exploded View	8-7
CYLINDER Assembly Drawing	8-9
Insert Balloons	8-11
Bill of Materials	8-18
Materials Editor and Mass Properties	8-21
Configuration Properties	8-25
Design Table	8-32
Bill of Materials - Part 2	8-38
Edition Cells	8-38
Edition Columns	8-38
Insert Column	8-40
Edit Header	8-40
Create an Equation	8-43
CYLINDER Assembly - Design Table	8-45
CYLINDER Assembly Drawing - Multiple Configurations	8-51
CYLINDER Assembly Drawing - Revision Table	8-60
CYLINDER Assembly Drawing - Section View, and Broken-out Section View	8-66
Hide Behind Plane	8-67
Large Assembly Drawing Performance	8-68
Splitting a Bill of Materials Table	8-68

Dragging a Bill of Materials Table	8-69
Tabulated Bill of Materials Table	8-70
SolidWorks eDrawings	8-70
Export	8-70
Chapter Summary	8-70
Chapter Terminology	8-71
Questions / Exercises	8-75

Chapter 9 - Datums, Feature Control Frames, Geometric Tolerancing and other

Drawing symbols	9-1
Chapter Objective	9-3
Chapter Overview	9-4
Drawing Template	9-6
VALVEPLATE1 Part - DimXpert	9-8
Feature Recondition	9-9
Settings	9-9
Reference Features	9-9
Block Tolerance	9-9
General Tolerance	9-9
DimXpert Toolbar	9-16
DimXpert Annotations and Drawings	9-17
DimXper - Part	9-21
VALVEPLATE1 Part - Datums, Feature Control Frames, Geometric Tolerance	9-26
VALVEPLATE1 Part - Surface Finish	9-31
ASME Y14.41 Digital Product Definition Data Practices	9-34
PLATE-TUBE Assembly Drawing and Weld Symbols	9-43
PLATE-CATALOG Drawing, Design Table, an EXCEL Formatting	9-50
Blocks	9-66
Geometric Tolerance Symbols	9-73
Fits - Types	9-73
Chapter Summary	9-74
Chapter Terminology	9-75
Questions / Exercises	9-78

Chapter 10 - Introduction to the Certified Associate - Mechanical Design (CSWA)

Exam	10-1
Chapter Objective	10-3
Introduction	10-3
Intended Audience	10-3
CSWA Exam Content	10-5
About the Exam	10-9
Exam day	10-9
Drafting Competencies	10-14
Basic and Intermediate Part Creation and Modification	10-16
Advanced Part Creation and Modification	10-22
Assembly Creation and Modification	10-28

Chapter 11 - Advanced Drawing Tools Certification (CSWP-DRWT)

Introduction	11-1
Exam Categories	11-1
Basic View Functionality	11-1

View Functionality	11-2
BOM Functionality	11-2
Link Notes	11-2
Hide / Show Components	11-2
Advanced View Functionality	11-2
Exam Topics	11-2
Basic View Creation	11-2
Section / Aligned View	11-2
Auxiliary Views	11-2
Alternate Position Views	11-2
Relative to Model Views	11-2
Broken-out Section Views	11-2
View focus when creating geometry	11-2
Transferring sketch elements to/from Views	11-2
BOM Table Creation and Modification	11-2
Item Numbers and their display	11-3
Hide/Show Components	11-3
Linked Notes	11-3
Importing Model Items	11-3
Intended Audience	11-4
System Requirements	11-5
CSWP-DRWT Exam Content	11-5
Basic View Functionality: View Creation 1	11-5
Basic View Functionality: View Creation 2	11-10
Basic View Functionality: View Creation 3	11-12
BOM Functionality: Creation 1	11-16
BOM Creation: Reordering BOM Items 1	11-19
BOM - Total Cost - Equation	11-20
Other exam categories that the book covers	11-22
Summary	11-23
Appendix	
ECO Form	A-1
Types of Decimal Dimensions (ASME Y14.5M)	A-2
SolidWorks Keyboard Shortcuts	A-3
Windows Shortcuts	A-3
Helpful On-Line information	A-4
Index	I-1