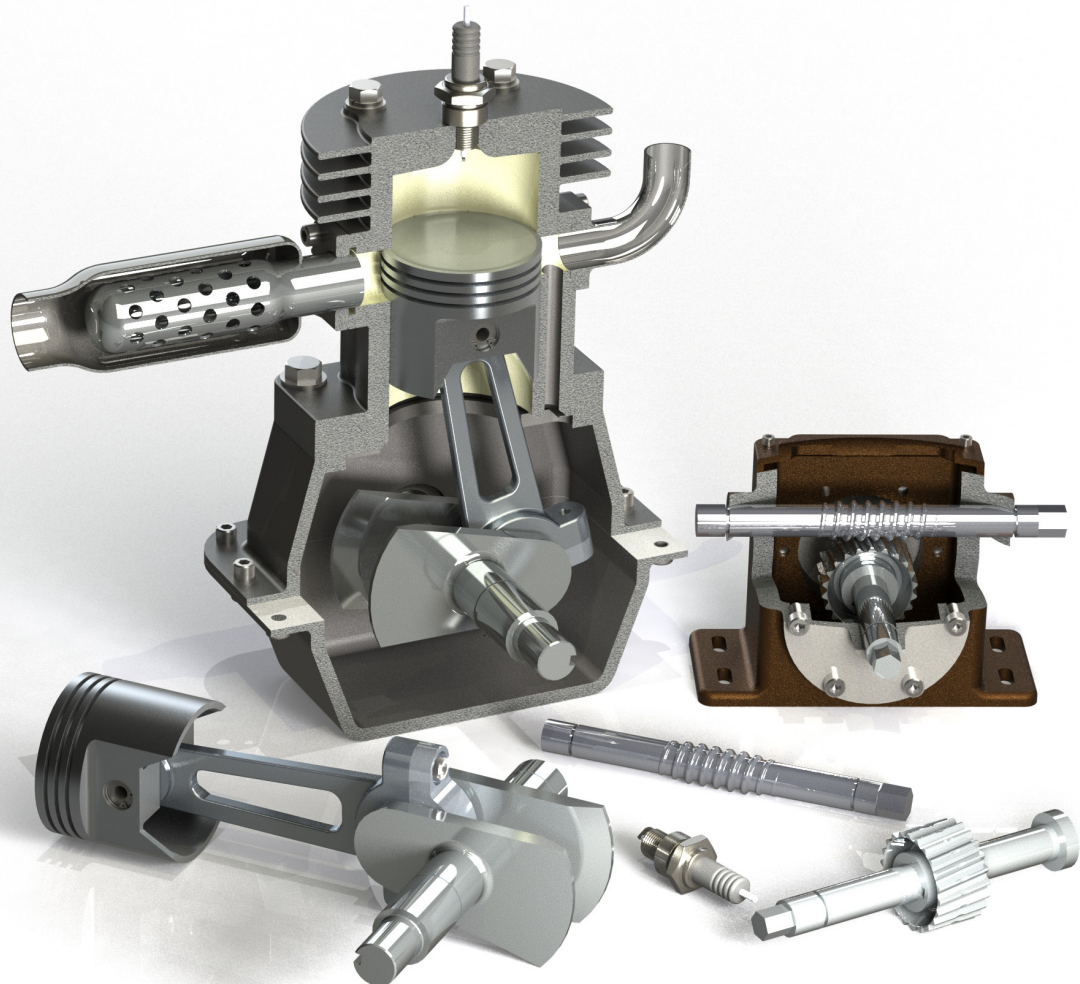


Beginner's Guide to SOLIDWORKS® 2016 Level I

Parts, Assemblies, Drawings, PhotoView 360
and SimulationXpress



Alejandro Reyes MSME, CSWE, CSWI

Visit the following websites to learn more about this book:



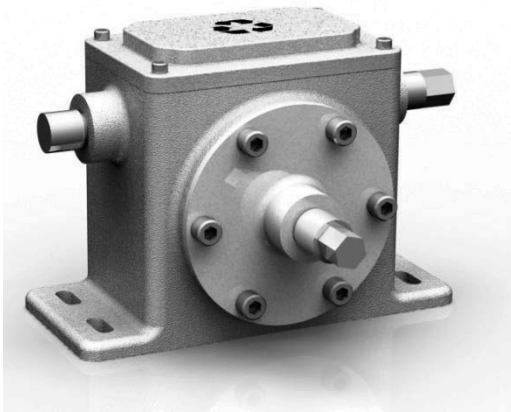
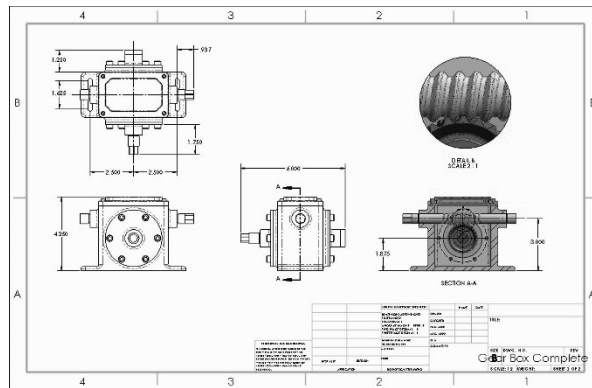
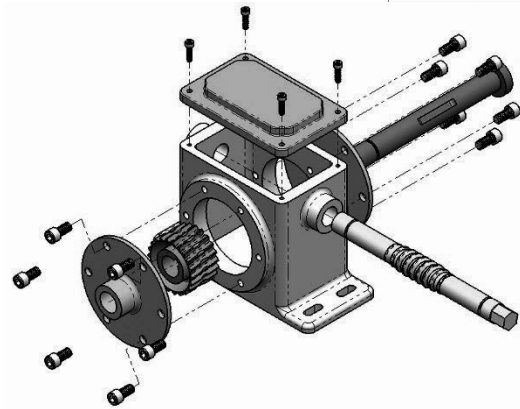
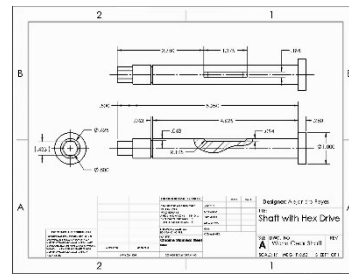
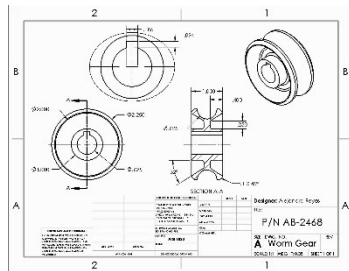
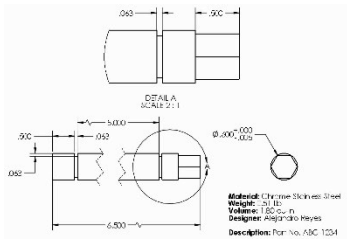
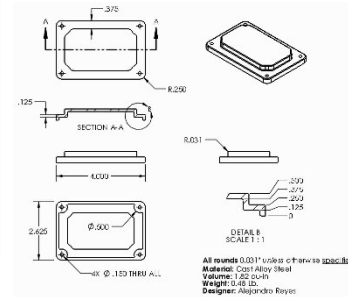
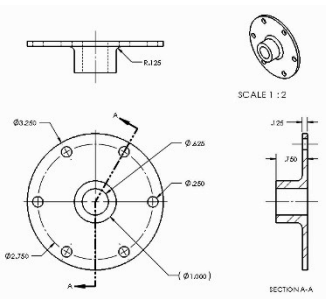
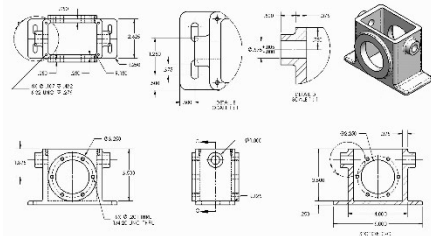
[amazon.com](https://www.amazon.com)

[Google books](https://books.google.com)

[BARNES & NOBLE](https://www.barnesandnoble.com)

Table of Contents

Introduction.....	13
The SOLIDWORKS Interface.....	15
Part Modeling.....	25
The Housing	27
The Side Cover.....	107
The Top Cover.....	123
The Offset Shaft.....	151
Auxiliary Geometry:.....	171
The Worm Gear	181
The Worm Gear Shaft.....	201
Special Features: Sweep, Loft and Wrap.....	213
Sweep: Cup and Springs	215
The Cup.....	217
Simple Spring	229
Variable Pitch Spring	233
Thread Feature	237
Sweep: Bottle.....	243
Loft: Bottle	255
Wrap Feature.....	267
Worm Gear Shaft Complete.....	275
Worm Gear Complete.....	281



Model name: Connecting Rod Analysis
 Study name: SimulationXpress Study (Default)
 Plot type: Static nodal stress Stress (vonMises)
 Deformation scale: 43.5541

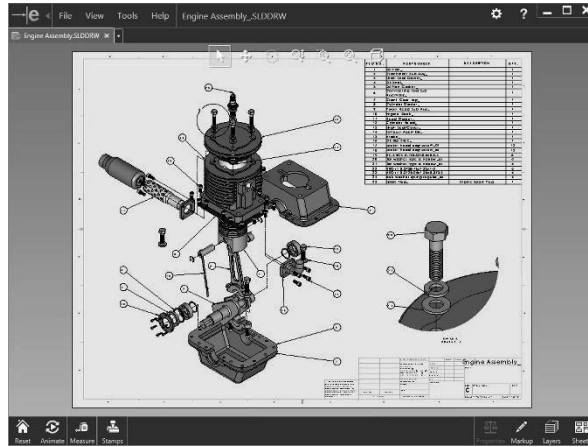
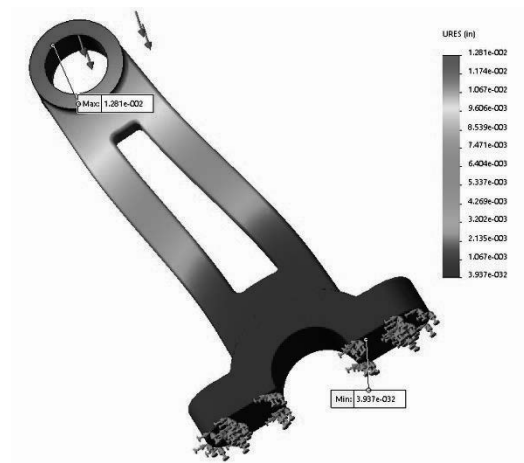


von Mises (psi)

6.099e+004
5.591e+004
5.083e+004
4.575e+004
4.067e+004
3.559e+004
3.051e+004
2.543e+004
2.035e+004
1.527e+004
1.019e+004
5.110e+003
2.979e+001

→ Yield strength: 1.030e+005

Detail Drawing.....	297
Drawing One: The Housing.....	299
Drawing Two: The Side Cover	343
Drawing Three: The Top Cover.....	367
Drawing Four: The Offset Shaft	385
Drawing Five: The Worm Gear	393
Drawing Six: The Worm Gear Shaft.....	409
Assembly Modeling.....	427
The Gear Housing Assembly	429
SmartMates	459
Fasteners.....	477
Configurations using Design Tables.....	489
Interference Detection.....	507
Assembly Configurations	511
Exploded View	531
Assembly and Design Table Drawings.....	555
Assembly Drawing	557
Design Table Drawing.....	575
Animation and Rendering.....	581
PhotoView 360.....	583
Animation.....	603
Analysis: SimulationXpress	633
Background: Why Analysis?	635
Engine's Connecting Rod Analysis	639



A final word on analysis	661
<i>Collaboration: eDrawings</i>	663
<i>Final Comments</i>	667
<i>Appendix</i>	669
Document templates	669
<i>Index</i>	675