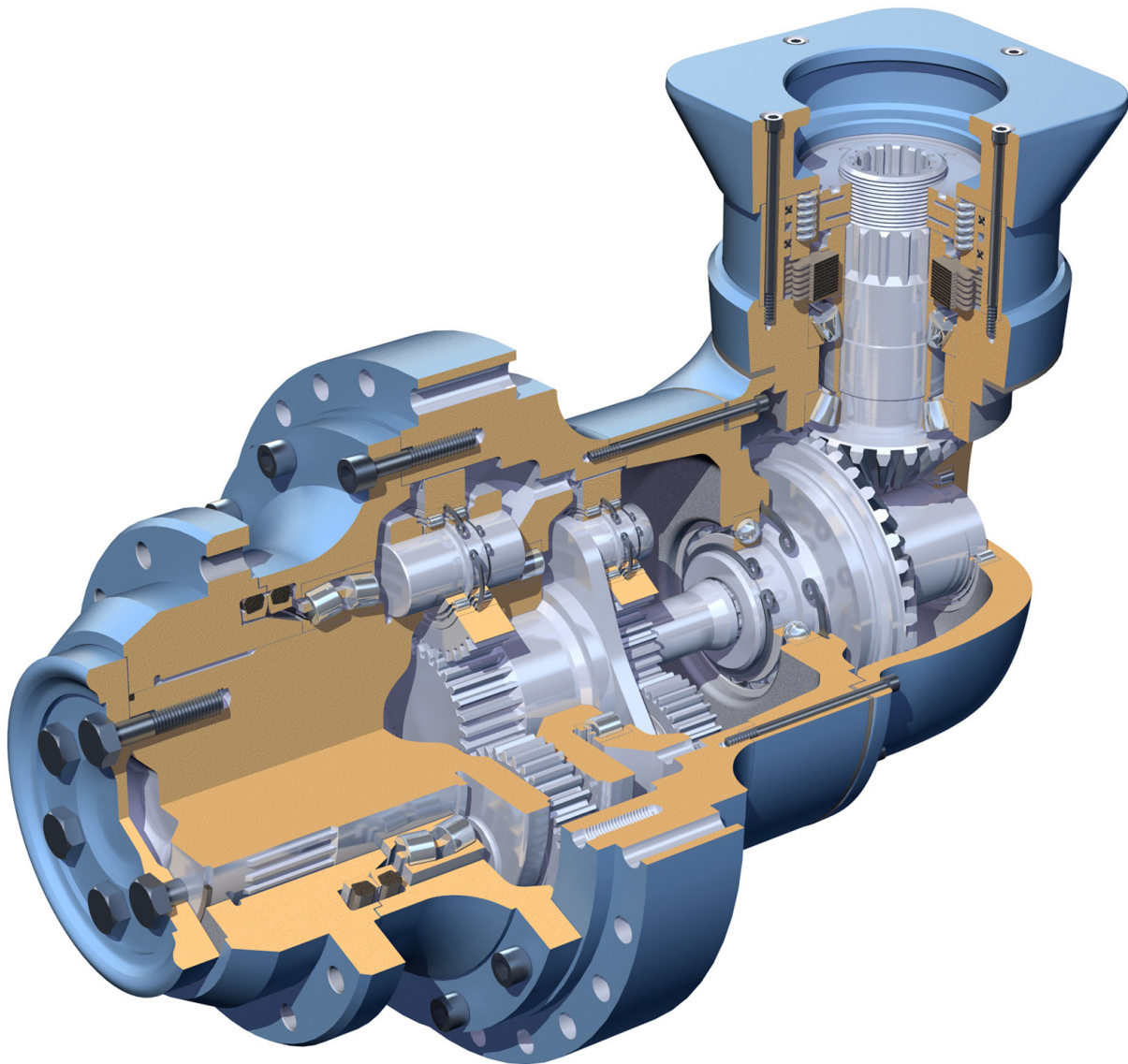


Michael J. Rider Ph.D.

Designing with Creo® Parametric 4.0



Visit the following websites to learn more about this book:



[amazon.com](https://www.amazon.com)

[Google books](https://books.google.com)

[BARNES & NOBLE](https://www.barnesandnoble.com)

CONTENTS

Preface xi

Chapter 1

COMPUTER-AIDED DESIGN 1

- Objectives 1
- History of Computer-Aided Design 1
- Creo Parametric—Designing Without Barriers 2
- Creo Parametric—Getting Started 6
- Recovering from a Program Crash 13
- Review Questions 16

Chapter 2

INTRODUCTION 17

- Objectives 17
- Introduction 17
- Design Process 17
 - Step 1—Identifying the Problem 18
 - Step 2—Brainstorming Ideas 18
 - Step 3—Evaluating the Ideas, then Selecting One 19
 - Step 4—Modeling the Solution 19
 - Step 5—Working Drawing and Production 19
- Design a New Product, an Example 20
 - Step 1—Identifying the Problem 20
 - Step 2—Brainstorming Ideas 21
 - Step 3—Evaluating the Ideas, then Selecting One 23
 - Criteria 23
 - Final Preliminary Design 25
 - Next Step 26
- Review Questions 26

Chapter 3

SKETCHER 27

- Objectives 27
- Sketcher Explored 27
 - Entering Sketcher Directly from Creo Parametric 28
 - Entering Sketcher from Part Mode within Creo Parametric 29
- Sketcher Tools Explained 29
 - Datums 29
 - Sketching Tools 30
 - Editing 37
 - Constraint 39
 - Dimension 41
 - Inspect 44
 - Save Sketch 44
 - Close Sketcher from Part Mode 44
 - Set up Sketcher from Part Mode 45
 - Sketcher Graphics Toolbar 45
- Sketcher Practice 47
- Sketcher Exercise 58

- Using Creo Parametric to Sketch the Jig, Design_1a 59
- Using Creo Parametric to Design a Jig, Design_1b 63,
- Using Creo Parametric to Design a Jig, Design_1c 66

- Review Questions 68
- Sketcher Problems 69

Chapter 4

EXTRUSIONS 75

- Objectives 75
- Extrusions Explored 75
- Extrusions Practice 81
- Extrusions Exercise 92
- Review Questions 104
- Extrusions Problems 105

Chapter 5

REVOLVES 115

- Objectives 115
- Revolves Explored 115
 - Symmetrical Features in Designs 115
 - Hole Options 120
 - Hole Placement 121
- Revolves Practice 122
- Revolves Exercise 137
- Review Questions 148
- Revolves Problems 149

Chapter 6

PATTERNS 155

- Objectives 155
- Patterns Explored 155
- Patterns Practice (Linear) 163
- Patterns Practice (Axial) 170
- Patterns Exercise 178
- Review Questions 191
- Patterns Problems 192

Chapter 7

DIMENSIONING 197

- Objectives 197
- Do's and Don'ts of Dimensioning 197
 - Background 197
 - Part Size and Shape 197
 - Learn to Dimension Properly 198

Fractional and Decimal Dimensions	200
Standard Sizes Preferred	203
Dimensioning Angles	203
Dimensioning Arcs	204
Fillets and Rounds	205
Finish Marks	205
Dimensions and Part Views	205
Contour Dimensioning	206
Geometric Shapes	207
Dimensioning Prisms	208
Dimensioning Cylinders	209
Dimensioning Holes	210
Dimensioning Round-End Shapes	211
Dimensioning Tapers	212
Dimensioning Threads	212
Dimensioning Chamfers	213
Shaft Centers	213
Dimensioning Keyways	214
Location Dimensions	214
Modified Purchased Parts	217
Mating Dimensions	217
Notes	218
Dimensioning for Numerical Control	219
Checklist for Dimensioning	219
Creating an A-size Format Sheet	222
Creating A-size Templates	232
Template with Three Orthographic Views	232
Template with Two Orthographic Views	239
Template with One 3D Projection View	241
Review Questions	244
Chapter 8	
ENGINEERING DRAWINGS	245
Objectives	245
Engineering Drawings Explored	245
Engineering Drawings Practice	252
Sectioned View	259
Auxiliary Views	265
Engineering Drawings Exercise	272
Review Questions	279
Engineering Drawings Problems	280
Chapter 9	
ASSEMBLIES	287
Objectives	287
Assemblies Explored	287
User-Defined Constraints	289
Predefined Constraints	291
Using Extra Constraints	292
Assembly Practice	293
Assembly Exercise	307
Review Questions	333
Assembly Problems	334

Chapter 10	
ASSEMBLY DRAWINGS	339
Objectives	339
Assembly Drawings Explored	339
Assembly Drawings Practice	343
Assembly Drawings Exercise	352
Review Questions	365
Assembly Drawings Problems	366

Chapter 11	
RELATIONS AND FAMILY TABLES	369
Objectives	369
Relations and Family Tables Explored	369
Relations Practice	373
Relations and Pattern Practice	377
Relations and Family Tables Practice	383
Relations and Family Tables Exercise	392
Review Questions	403
Relations and Family Tables Problems	404

Chapter 12	
TOLERANCING AND GD&T	407
Objectives	407
Tolerancing and GD&T Explored	407
Basic Hole System	409
Coordinate Tolerancing	412
Geometric Tolerances	413
Tolerancing and GD&T Practice	418
Tolerancing and GD&T Exercise	433
Review Questions	442
Tolerancing and GD&T Problems	443

Chapter 13	
CREO SIMULATE AND FEA	449
Objectives	449
Creo Simulate and FEA Explored	449
Simulate and FEA Practice	451
Simulate and FEA Exercise	469
Review Questions	483
Simulate and FEA Problems	484

Appendix A	
PARAMETERS FOR DRAWINGS	489

Appendix B	
DRILL AND TAP CHART	493

Appendix C	
SURFACE ROUGHNESS CHART	495

Appendix D
CLEVIS PIN SIZES 497

Appendix E
NUMBER AND LETTER DRILL SIZES 499

Appendix F
SQUARE AND FLAT KEY SIZES 501

Appendix G
SCREW SIZES 503

Appendix H
NUT SIZES 505

Appendix I
SETSCREW SIZES 507

Appendix J
WASHER SIZES 509

Appendix K
RETAINING RING SIZES 511

Appendix L
BASIC HOLE TOLERANCE 513

Appendix M
BASIC SHAFT TOLERANCE 515

Appendix N
TOLERANCE ZONES 517

Appendix O
**INTERNATIONAL TOLERANCE
GRADES 519**

References 521

Index 523