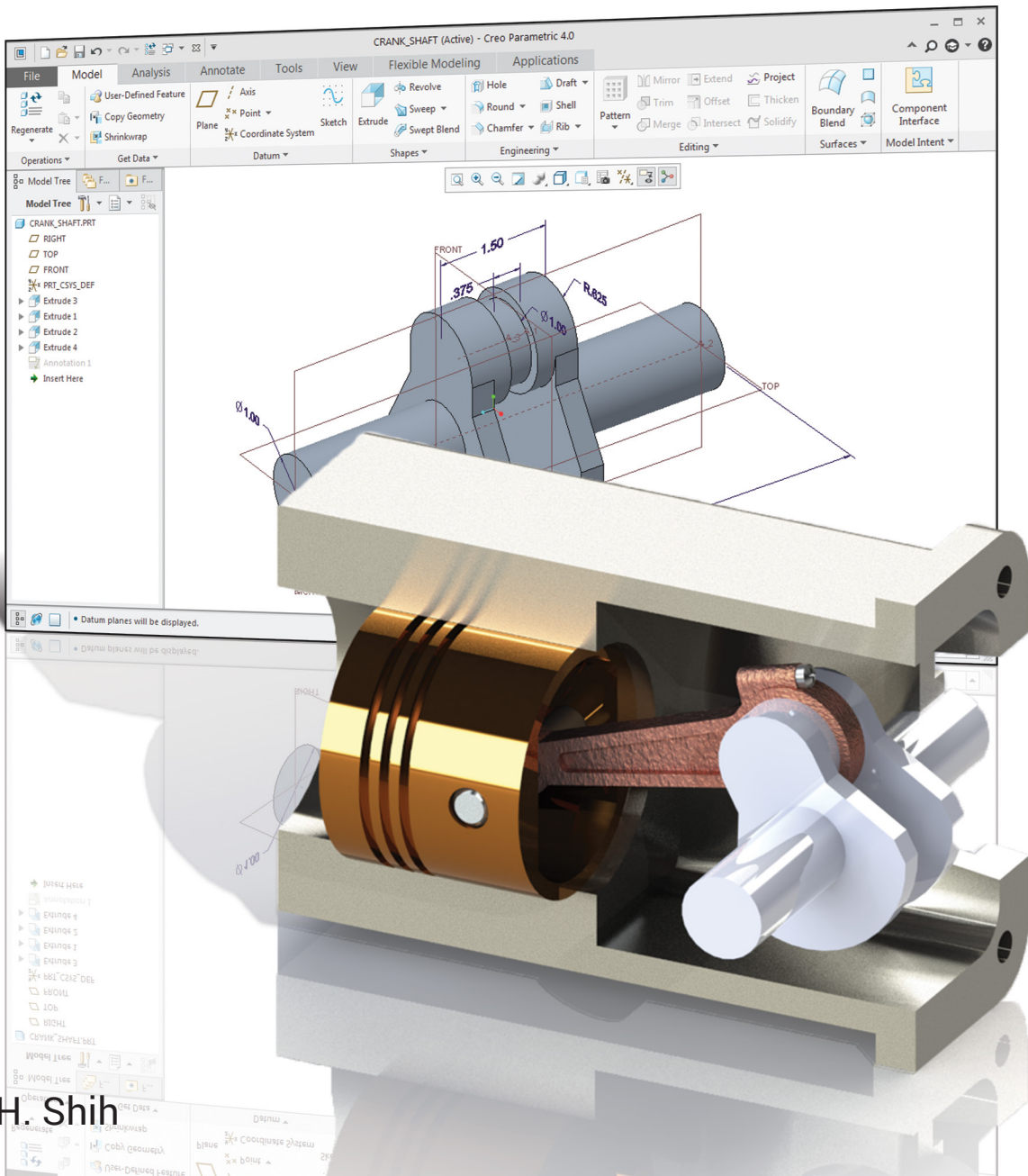


NEW
Contains a new
chapter on 3D Printing

Parametric Modeling with Creo® Parametric 4.0

An Introduction to Creo® Parametric 4.0



Randy H. Shih

Visit the following websites to learn more about this book:



[amazon.com](https://www.amazon.com)

[Google books](https://books.google.com)

[BARNES & NOBLE](https://www.barnesandnoble.com)

Table of Contents

Preface

Acknowledgments

Introduction

Introduction	Intro-2
Development of Computer Geometric Modeling	Intro-2
Feature-Based Parametric Modeling	Intro-6
Getting Started with Creo Parametric	Intro-7
Creo Parametric Screen Layout	Intro-8
Ribbon Toolbar	Intro-9
Quick Access Toolbar	Intro-9
Message area	Intro-9
Graphics display area	Intro-9
Navigator	Intro-10
Web Browser	Intro-10
Navigator Display Controls	Intro-10
Basic Functions of Mouse Buttons	Intro-11
Model Tree window and Feature toolbars	Intro-12
Online Help	Intro-13
Leaving Creo Parametric	Intro-14
Creating a CAD files folder	Intro-14

Chapter 1

Parametric Modeling Fundamentals

Introduction	1-2
The Adjuster design	1-3
Starting Creo Parametric	1-3
Step 1: Units and Basic Datum Geometry Setups	1-5
Adding the First Part Features — Datum Planes	1-7
Switching on the Plane Tag display	1-8
Step 2: Determine/Set up the Base Solid Feature	1-9
Sketching plane – It is an XY CRT, but an XYZ World	1-10
Defining the Sketching Plane	1-11
Defining the Orientation of the Sketching Plane	1-12
Step 3: Creating 2D Rough Sketches	1-14
The Creo Parametric SKETCHER and INTENT MANAGER	1-15
Graphics Cursors	1-16
Geometric Constraint Symbols	1-17
Dynamic Viewing Functions	1-18
Step 4: Apply/Modify Constraints and Dimensions	1-19
Modifying the dimensions in a sketch	1-22

Repositioning Dimensions	1-24
Step 5: Completing the Base Solid Feature	1-25
The Third Dynamic Viewing Function	1-26
Display Modes: Wireframe, Shaded, Hidden Edge, No Hidden	1-27
Step 6: Adding additional features	1-28
Creating a CUT Feature	1-33
Creating the 2D Section of the CUT Feature	1-34
Creating another CUT Feature	1-37
Delete/Select the Sketching References	1-38
Create the 2D Section	1-40
Save the Part	1-42
Review Questions	1-43
Exercises	1-44

Chapter 2

Constructive Solid Geometry Concepts

Introduction	2-2
Binary Tree	2-3
The <i>Locator</i> Design	2-4
Modeling Strategy - CSG Binary Tree	2-5
Starting Creo Parametric	2-6
Units Setup	2-7
Adding the First Part Features — Datum Planes	2-9
Base Feature	2-9
Create a 2D Parametric Section	2-11
Create the Second Solid Feature	2-14
Create the 2D Sketch	2-15
Create a CUT Feature	2-18
Create a 2D Section	2-19
Redefine a Feature Element	2-22
Create a Placed HOLE Feature	2-24
Create the Final Feature	2-27
Create the 2D Section	2-28
Review Questions	2-31
Exercises	2-32

Chapter 3

Model History Tree

Introduction	3-2
The <i>L-Support</i> Design	3-3
Starting Creo Parametric	3-3
Modeling Strategy	3-6

Create the Base Feature	3-7
2D Sketch of the Base Feature	3-7
Set up the Default View and Sketcher View	3-9
Add the Second Solid Feature	3-10
Rename the Part Features	3-14
Expand the Model Tree Listing	3-15
Create a Placed HOLE Feature	3-16
Create a Rectangular Cutout	3-18
Examine the Model History	3-22
History-based Part Modifications	3-23
Modify Dimensional Values	3-24
Modify the 2D Section of the Base Feature	3-26
Use the Measure Tools	3-28
Calculate the Associated Physical Properties	3-29
Review Questions	3-34
Exercises	3-35

Chapter 4

Parametric Relations and Constraints

Geometric Construction and Constraints	4-2
The <i>Gasket</i> Design	4-2
Modeling Strategy	4-3
Starting Creo Parametric and Using the Metric Template	4-4
Adjusting the Default Model Orientation and Sketcher Startup	4-5
Create the Base Feature	4-6
Implicit Geometric Relationships	4-7
Lock/Disable/Enable Constraints	4-8
Create and Divide a Circle	4-11
Create a Closed Region Sketch	4-12
Modify Geometry by Drag-and-Drop	4-13
Controlling Geometric Relationships	4-14
Add Rounded Corners	4-16
Adjusting the Constructed Geometry	4-17
Deleting Geometric Constraints	4-18
Weak Dimensions and Constraints	4-19
Complete the Base Feature	4-20
Using the Offset Loop Option to Create a CUT feature	4-21
Parametric Relations and Geometric Constraints	4-24
Create a Simple Plate Design	4-24
Using a Sketch File	4-25
Dimensional Values and Dimensional Variables	4-26
Save the Sketch File and Exit the Sketcher Mode	4-28
Sketch Files vs. Part Files	4-29
Starting a new Creo Parametric Part	4-29

Create the Base Feature	4-30
Placing the 2D Sketch	4-31
Display the Parametric Relations	4-33
Complete the Extrusion Feature	4-34
Parametric Relations at Different Levels	4-35
Review Questions	4-39
Exercises	4-40

Chapter 5

Parent/Child Relationships

Introduction	5-2
The <i>U-Bracket</i> Design	5-3
Preliminary Modeling Considerations	5-3
Starting Creo Parametric and Using the Metric Template	5-4
Create the Base Feature	5-5
Create and Transform a Rough Sketch	5-6
Create the Second Solid Feature	5-14
Create a CUT Feature	5-16
Create the CENTER_DRILL Feature	5-17
Examine the Parent/Child Relationships	5-19
Display Parent/Child Info	5-20
Modify a Parent Dimension	5-21
A Design Change	5-22
Feature Suppression	5-23
Create the Circular Cut Feature	5-24
Listing Suppressed Features	5-25
Reactivate the CENTER_DRILL Feature	5-26
Reroute the CENTER_DRILL Feature	5-27
Suppress the RECT_CUT Feature	5-28
A Flexible Design Approach	5-29
Review Questions	5-30
Exercises	5-31

Chapter 6

Datum Features, 3D Annotation and Part Drawings

Datum Features	6-2
3D Annotation	6-2
Drawings from Solid Models	6-2
The <i>Rod-Guide</i> Design	6-3
Modeling Strategy	6-4
Starting Creo Parametric	6-5
Create the Base Feature	6-5

Create a Datum Axis	6-8
Create a Datum Plane at an Angle	6-9
Create the next Solid Feature	6-11
Create a Datum Plane Using the Filter Option	6-13
Create a Placed Feature	6-17
Add Four Holes to the Base Feature	6-18
3D Annotation	6-20
Create a Multi-View Drawing Using a Drawing Template	6-32
Create another Multi-View Drawing without Using a Template	6-34
Adding a new Sheet in the Existing Drawing	6-35
Adding a Primary Main View	6-36
Adding a Projected Auxiliary View	6-37
Adjust the Overall Drawing Display	6-38
Dimension Appearances	6-40
Displaying Center Axes	6-42
Annotation Appearances	6-43
Adding/Deleting Dimensions – Feature/Driven Dimensions	6-44
Add an Isometric View	6-46
Review Questions	6-49
Exercises	6-50

Chapter 7

Introduction to 3D Printing

What is 3D Printing	7-2
Development of 3D Printing Technologies	7-3
Primary Types of 3D Printing Processes	7-6
Primary 3D Printing Materials for FDM and FFF	7-9
From 3D Model to 3D Printed Part	7-11
Starting Creo Parametric	7-12
Prepare for 3D Printing	7-13
Export Design as STL File	7-19
Using the 3D Printing Software to Create the 3D Print	7-20
Questions	7-28

Chapter 8

Symmetrical Features in Designs

Symmetrical Features in Designs	8-2
A Revolved Design: <i>Wheel</i>	8-2
Modeling Strategy - A Revolved Design	8-3
Starting Creo Parametric	8-4
Create the Base Revolved Feature	8-4
Create Diameter Dimensions	8-6
Modify the Values of Dimensions	8-7
Complete the Revolved Feature	8-8
Using the Mirror Option	8-9

Add a Radial Hole Feature	8-10
Create a Circular Pattern	8-12
Parametric Relations	8-13
Create a Multi-View Part Drawing	8-15
Add the Primary Main View	8-16
Add a Projected Sectional View	8-17
Modify the Overall Drawing Display	8-20
Display Feature Dimensions	8-21
Adding Additional Driven Dimensions	8-23
Adjust Dimension Appearances	8-24
Display Center Axes	8-25
Adjusting the Length of Centerlines	8-26
Create Additional Centerlines	8-26
Overriding a Dimension Value	8-29
Associative Functionality – Modifying Feature Dimensions	8-30
Bi-Directional Associative Functionality	8-32
Create a Custom Creo Title Block	8-34
Create a Drawing Template with 2D Views and Title Block	8-39
Review Questions	8-46
Exercises	8-47

Chapter 9

Three Dimensional Construction Tools

Introduction	9-2
A Thin-Walled Part: <i>Dryer Housing</i>	9-2
Modeling Strategy	9-3
Starting Creo Parametric	9-4
Create the Base Feature	9-4
Create a Revolved Feature	9-6
Create the second Feature	9-7
Create a Blend Feature	9-9
Create 2D Blend Sections	9-11
Create 3D Rounds and Fillets	9-16
Create a Shell Feature	9-17
Create a Pattern Leader	9-19
Create a Rectangular Pattern	9-21
Create a Swept Feature	9-23
Define the Sweep Trajectory	9-23
Define the Sweep Section	9-25
Review Questions	9-27
Exercises	9-28

Chapter 10

Basic Sheet Metal Designs

Sheet Metal Processes	10-2
Sheet Metal Modeling	10-4
K-Factor and Y-Factor	10-5
The Actuator Bracket – 16 Gage Sheet Metal Design	10-6
Starting Creo Parametric	10-7
Examine and Set Sheet Metal Defaults	10-8
Create the Base Face Feature of the Design	10-10
Using the Flat Command	10-12
Add another Planar Feature	10-14
Add a Cut Feature	10-16
Create a Bend Feature	10-18
Create a Mirrored Feature	10-21
Confirm the Model Dimensions	10-22
Create the Associated Flat Pattern	10-23
Confirm the Flattened Length	10-24
Create an Instance of the Flat Pattern	10-25
Create a 2D Sheet Metal Drawing	10-26
Include a 2D View of the Flat Pattern	10-29
Display Center Axes and Dimensions	10-31
Review Questions	10-34
Exercises	10-35

Chapter 11

Advanced Modeling Tools

Introduction	11-2
Summary of Modeling Considerations	11-2
The Bracket Design	11-2
Modeling Strategy	11-3
Starting Creo Parametric	11-4
Create the Base Feature	11-4
Using the CUT Option to Create a Boolean INTERSECT	11-6
Create a Reference Plane	11-10
Create another Extrude Feature	11-11
Using the Draft Tool	11-14
Create the Top Cylindrical Feature	11-16
Create a Hole through the Cylinder	11-18
Create a Sketched Hole on the Base Feature	11-18
Create a Mirror Feature	11-21
Create Chamfers	11-22
Adding Simple Rounds and Fillets - Edges	11-23
Adding Advanced Rounds and Fillets - Surfaces	11-24

Add the Last Feature	11-26
Changing Model Colors	11-27
Assign Material Property and Save the Part	11-28
Review Questions	11-30
Exercises	11-31

Chapter 12

Assembly Modeling – Putting It All Together

Introduction	12-2
The BRACKET Assembly	12-2
Assembly Modeling Methodology	12-3
Additional Parts	12-4
(1) <i>Base Plate</i>	12-4
(2) <i>Bushing</i>	12-4
(3) <i>Cap Screw</i>	12-5
Create a Subassembly	12-6
Retrieve the Bracket Component	12-7
Retrieve the Bushing Component	12-7
Placement Constraints	12-8
Placing the Bushing	12-9
Create the Second Placement Constraint	12-11
Create the Bracket Assembly Model	12-13
Base Component	12-14
Fully Constraining the Base-Plate to the Assembly	12-15
Retrieve the Bracket-Bushing Subassembly	12-16
Placing the Bracket-Bushing Subassembly	12-16
Placing the Cap Screws	12-22
Exploding the Assembly	12-24
Bi-directional Associative Functionality	12-27
Create a Drawing of the Assembly Model	12-29
Create a Parts List	12-32
Use the Repeat Region Command	12-34
Add the Balloon Callouts	12-38
Review Questions	12-40
Exercises	12-41

Chapter 13

Advanced Assembly Modeling and Animation

Introduction	13-2
Joint Connections	13-3
Basic Joint Connections	13-4
Pin	13-4

Slider	13-4
Cylinder	13-5
Planar	13-5
Servo Motor	13-6
Bodies	13-6
Ground Body	13-6
The Crank-Slider Assembly	13-7
Creating the Required Parts	13-7
(1) <i>End Cap</i>	13-7
(2) <i>Connecting Rod</i>	13-8
(3) <i>Base Block</i>	13-9
(4) <i>Crank Shaft</i>	13-10
(5) <i>Piston</i>	13-11
Create the Crank Slider Assembly Model	13-12
Base Component	13-13
Assembling the Crank Shaft	13-14
Assembling the Connecting Rod	13-16
Assembling the Piston	13-18
Assembling the End Cap	13-20
Starting the Creo Animation Module	13-21
Defining an Animation in Creo Animation	13-22
The Basic Animation Body Definitions and Display Controls	13-23
Creating the Animation Using the Key Frame Approach	13-24
Adjusting the Time Domain of the Animation	13-29
Creating another Animation by using a Servo Motor	13-30
Output the Animation as a Video file	13-32
Conclusion	13-33
Review Questions	13-34
Exercises	13-35

APPENDIX

INDEX