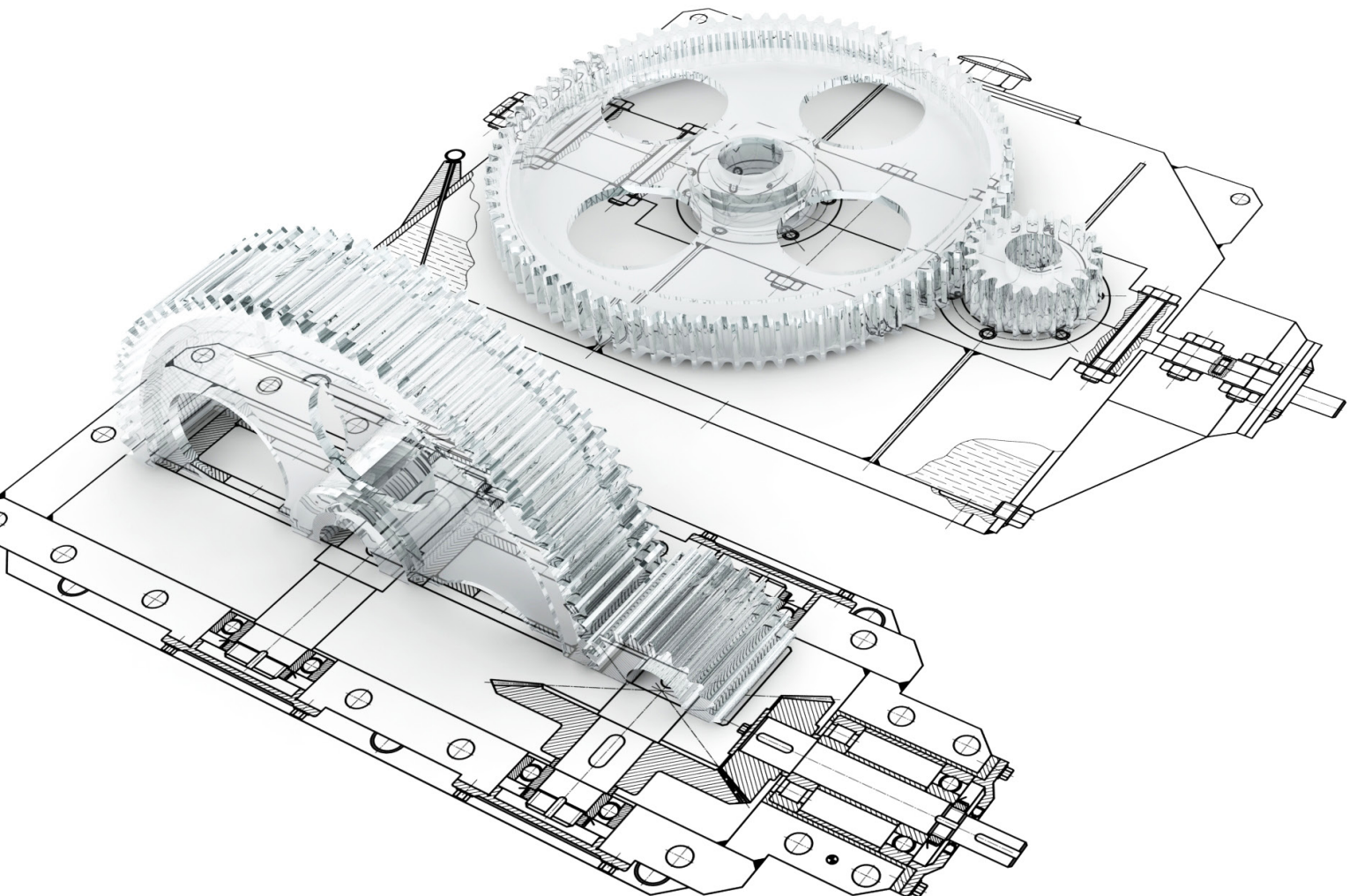


Bonus
Includes a Free Digital
Copy of Technical Graphics

A Concise Introduction to Engineering Graphics

Including Worksheet Series B

Fifth Edition



Timothy J. Sexton



Better Textbooks. Lower Prices.
www.SDCpublications.com



ACCESS CODE
UNIQUE CODE INSIDE

Visit the following websites to learn more about this book:



[amazon.com](https://www.amazon.com)

[Google books](https://books.google.com)

[BARNES & NOBLE](https://www.barnesandnoble.com)

Table of Contents:

Table of Contents:	i
Table of Problems:	vi
TECHNICAL GRAPHICS Table of Contents	vii
Chapter 1	1
<i>Sketching Techniques & Materials</i>	1
Equipment:	1
Straight Lines:	1
Sketching Arcs and Circles:	2
Sketching to Scale:	3
Drafting Materials:	3
Paper:	3
Pencil lead:	3
Chapter 2	5
<i>Hand Lettering</i>	5
Chapter 3	7
<i>Multiview Drawing</i>	7
The Engine of Industry:	7
Orthographic Projection:	7
The Six Plastic Planes of Projection:	8
2-D Planes:	10
Types of Planes:	10
Normal Planes:	10
Inclined Planes:	11
Oblique Planes:	11
Single Curved Surfaces:	12
Line and Surfaces:	12
Circles vs. Ellipses:	13
Fillets and Rounds:	14
Fillets and Rounds in Castings:	14
Forming Fillets & Round Using Bended Metal:	16
3-D Parametric Models:	16
Intersecting Surfaces Using Fillets, Rounds, and Runouts:	17
Rounded Shapes Intersecting Cylinders:	18
Intersecting Planar Surfaces:	18
Angle Blocks:	18
Conventional Edges:	19
3 rd Angle vs. 1 st Angle Projection:	19
Chapter 4	21
<i>Isometric Drawing</i>	21
Why Isometric Drawing?	21
Isometric Projection Theory:	22
Constructing an Isometric Sketch:	23
Isometric Drawing vs. Isometric Projection:	24

Table of Contents

Inclined and Oblique Surface:	25
Isometric Circles and Arcs	26
Approximation Method:	27
Sketching an Isometric Circle:	28
Isometric Elliptical Templates:	29
Isometric Irregular Curves:	30
Chapter 5	31
<i>Line Types</i>	31
Drawing Line Types:	31
Hierarchy of Lines:	32
Hidden Line Technique:	33
Chapter 6	35
<i>Auxiliary Views</i>	35
Visualizing a Primary Auxiliary View:	35
Type of Primary Auxiliary Views	37
Reverse Construction:	38
Successive Auxiliaries:	38
Dihedral Angles:	39
Chapter 7	41
<i>Sectional Views</i>	41
Sectional Views:	41
Cutting Plane Line:	42
Section Lining:	42
Full Sections:	44
Offset Sections:	45
Half Sections:	46
Revolved Sections:	47
Removed Sections:	48
Broken- out Sections:	49
Auxiliary Sections and Viewing Planes:	50
Aligned Sections:	50
Unsectioned Features:	52
Conventional Breaks:	53
Chapter 8	55
<i>Measurement & Scale</i>	55
Full Size Metric Measurement:	55
Full Size US Customary:	55
Scale:	55
Scales:	56
Civil Engineering Scale:	56
Mechanical Engineering Scales:	57
Architectural Scales:	57
Metric Scales:	58
Bar Scales:	59
Chapter 9	61
<i>Dimensioning</i>	61
Why Dimension?	61
Dimensioning Line Types, Terminology, and Symbols:	61

Table of Contents

Special Symbols:.....	62
Units of Measure:.....	62
Dimensioning Standards:.....	63
Dimensioning Strategy:.....	63
Unidirectional vs. Aligned:.....	63
Dimensioning Techniques:.....	64
Linear Dimensions:.....	67
Oblique Extension Lines:.....	68
Angular Dimensions:.....	68
Holes and Cylindrical Features:.....	68
Arcs and Radii:.....	70
Spheres and Rounded Cylinder Ends:.....	71
Rectangular Stock with Rounded Ends:.....	71
Slotted Holes:.....	72
Location Dimensions:.....	72
Holes Located About a Center Point:.....	73
Specifying Machining Operations:.....	73
Drilling and Reaming:.....	74
Counter Bore and Counter Sinks:.....	74
Chamfers:.....	76
Keyways and Keyseats.....	76
Necks and Undercuts:.....	77
Knurling:.....	78
Chapter 10.....	81
<i>General Tolerance</i>	81
Introduction:.....	81
What Determines the Tolerance?.....	81
Specifying Tolerance:.....	81
Mating Parts.....	82
ANSI Inch Based System of Limits & Fits.....	82
ISO System of Limits & Fits:.....	83
Metric Fit Symbols:.....	84
Terminology Review:.....	86
Chapter 11.....	89
<i>Geometric Dimensioning and Tolerancing (GD&T)</i>	89
Introduction:.....	89
Checking the size limits envelope:.....	90
Standard Stock Items:.....	91
Datums:.....	91
Order of Datums:.....	93
Datum axis:.....	95
Features at RFS:.....	95
Compound and Coplanar Datums:.....	97
Chain Lines and Partial Datum Surfaces:.....	98
Datum Target Points:.....	98
Datum Target Line:.....	99
Datum Target Area:.....	99
Geometric Dimensioning and Tolerancing (GD&T):.....	102
Feature Control Frame:.....	102
Geometric Characteristic Symbols:.....	103
Modifiers in a feature control frame:.....	104
Angularity:.....	105
Parallelism:.....	106

Table of Contents

Perpendicularity:	107
Straightness:	109
Straightness of Surface Elements:	109
Checking Surface Elements on a Cylinder:	109
Central Axis:	110
Geometric Tolerance Modifiers:	111
Flatness:	112
Flatness of a Specific Area:	113
Circularity:	113
Cylindricity:	115
Profile's Basic Concepts:	116
Profile of a Line:	116
Floating Tolerance Zone:	118
Profile of a Surface:	118
Profile of a Surface on a Spherical Radius or Planar Surface:	119
Profile of a Surface on a Conical Surface:	119
Profile All Around:	120
Limits of Application:	120
Positional Tolerance:	120
Positional Tolerance at MMC:	121
Composite Positional Tolerance:	122
Datums in the Second Line of a Composite Positional Tolerance:	123
Virtual Condition:	124
Concentricity:	125
Coaxial Control Using Positional Tolerance:	125
Symmetry:	126
Projected Tolerance Zone:	126
Runout:	127
Circular Runout:	127
Limited Application:	128
Total Runout:	128
Chapter 12	131
<i>Working Drawings</i>	131
Assembly Drawings:	132
Exploded Isometric Assemblies:	132
Flow Lines:	134
Balloons:	134
General Sheet Layout:	134
Title Blocks:	135
List of Materials:	135
Revision Block:	136
General Notes Area:	137
Zone Markings:	137
Chapter 13	139
<i>Threads</i>	139
Thread Terminology:	139
Thread Profiles:	140
Unified Thread Series:	141
Metric Thread Series:	141
Class of Fit:	141
Right vs. Left Hand Threads:	141
Multiple Threads:	141
Thread Representation	142

Table of Contents

Inch Thread Specification:	144
Metric Thread Specification:.....	145
Gage Numbers in Thread Specifications:.....	145
Acme Thread Specification:.....	146
National Pipe Thread Specification:.....	146
Buttress Thread Specification:	146
Major Diameter:.....	146
Forming Threads:	147
Measuring Threads.....	149
Index:	151

Table of Problems:

Chapter 3

MULTIVIEW:

Surface Identification.....	MVS-1B
Normal Surfaces Sketching.....	MVN-1B
Normal Surfaces Sketching.....	MVN-2B
Normal Surfaces Sketching.....	MVN-3B
Inclined Surfaces Sketching.....	MVI-1B
Inclined Surfaces Sketching.....	MVI-2B
Oblique Surfaces Sketching.....	MVO-1B

Chapter 4

MULTIVIEW / ISOMETRIC:

Normal Surfaces Sketching.....	ISMN-1B
Normal Surfaces Sketching.....	ISMN-2B
Normal Surfaces Sketching.....	ISMN-3B
Normal Surfaces Sketching.....	ISMN-4B
Inclined Surfaces Sketching.....	ISMI-1B
Inclined Surfaces Sketching.....	ISMI-2B
Inclined Surfaces Sketching.....	ISMI-3B
Oblique Surfaces Sketching.....	ISMO-1B
Curved Surfaces Sketching.....	ISMC-1B
Curved Surfaces Sketching.....	ISMC-2B
Curved Surfaces Sketching.....	ISMC-3B
Curved Surfaces Sketching.....	ISMC-4B
Fillets, Rounds, & Runouts.....	COVN-1B

Chapter 6

AUXILIARY VIEWS:

Auxiliary Views.....	AUX-1B
Auxiliary Views.....	AUX-2B

Chapter 7

SECTIONING:

Full Sections Sketching.....	SECF-1B
Full Sections.....	SECF-2B
Full Sections Sketching.....	SECF-3B
Full Sections Sketching.....	SECF-4B
Half Sections Sectioning.....	SECH-1B
Offset Sections Sketching.....	SECOF-1B
Broken Out Sections Sketching.....	SECBO-1B
Aligned Sections Sketching.....	SECAL-1B
Removed Sections Sketching.....	SECR-1B

Chapter 8

MEASUREMENT and SCALE:

Architectural Scale.....	SCALEARB
Civil Engineering Scale.....	SCALECEB
Mechanical Engineering Scale.....	SCALEMEB
Metric Scale.....	SCALESIB

Chapter 9

DIMENSIONING:

Using CAD.....	DIM-1B
Sketching.....	DIM-2B
Sketching.....	DIM-3B
Sketching.....	DIM-4B
Using CAD.....	DIM-5B
Using CAD.....	DIM-6B

GEOMETRIC CONSTRUCTION:

2-D CAD.....	GC-BB
2-D CAD.....	GC-IB
2-D CAD.....	GC-AB

WORKING DRAWING:

2-D CAD.....	WD-1B
--------------	-------

PARAMETRIC MODEL:

3-D CAD.....	PARM-1B
--------------	---------

Bonus Feature:

Technical Graphics

Meyers • Croft • Miller • Demel • Enders

Ohio State University

Table of Contents

CHAPTER 1 Getting Started

1.1	Introduction	1-1
1.2	What You Will Learn From This Text	1-3
1.2.1	Lettering	1-3
1.2.2	Sketching Techniques	1-3
1.2.3	Shape Description	1-3
	Orthographic Projection	1-3
	Pictorial Drawings	1-4
	Perspective Drawings	1-4
1.2.4	Sections and Conventions	1-4
1.2.5	Size Description	1-4
1.2.6	Fastening and Joining	1-5
1.2.7	Drawing Notes	1-5
1.2.8	Production Drawings	1-5
1.2.9	Descriptive Geometry	1-5
1.2.10	Presentation Graphics	1-7
1.2.11	Computer Systems	1-9
	Computer-aided Manufacturing	1-10
	Computer-integrated Manufacturing	1-11
	Flexible Manufacturing Systems	1-11
1.3	Tools You Will Need	1-12
1.3.1	Tools for Sketching	1-12
1.3.2	Tools for Instrument Drawing	1-13
1.3.3	Drawing by Computer	1-15
	Central Processing Unit	1-15
	Input Devices	1-15
	Output Devices	1-16
	Data Storage Devices	1-16
	Software	1-16
1.4	Using Your Drawing Tools	1-17
1.4.1	Sketching	1-17
1.4.2	Alphabet of Lines	1-17
1.4.3	Instrument Drawing	1-17
	Straight Lines	1-17
	Drawing Straight Lines with Your CAD System	1-19
	Circles and Arcs	1-20
	Drawing Circles and Arcs With Your CAD System	1-20
	Measuring	1-21
	Measuring With Your CAD System	1-22

TECHNICAL GRAPHICS Table of Contents

1.5 Lettering	1-22
1.5.1 Lettering Guidelines	1-23
1.5.2 Lettering Styles	1-23
1.5.3 Character Uniformity	1-24
1.5.4 Spacing	1-24
1.6 Summary	1-25

CHAPTER 2 Technical Sketching

2.1 Introduction	2-1
2.2 Sketching Horizontal Lines	2-2
2.3 Sketching Vertical Lines	2-2
2.4 Sketching Angular Lines	2-2
2.5 Sketching Curved Lines	2-2
2.6 Drawing Media	2-3
2.7 Grids for Sketching	2-3
2.8 Line Weights	2-4
2.9 Sketching Instruments	2-4
2.10 Enlarging and Reducing Using a Grid	2-4
2.11 Enlarging and Reducing Using a Rectangular Diagonal	2-5
2.12 Enlarging and Reducing by Changing the Focal Distance from the Object to the Plane	2-5
2.13 Sketching Small Objects with a Hand for Proportion	2-6
2.14 Sketching Solids	2-6
2.15 Four Steps to Sketching an Object	2-6
2.16 Basic Shading of Solids	2-8
2.17 Orthographic Projection Sketch	2-8
2.18 Isometric Pictorial Sketch	2-9
2.19 Oblique Pictorial Sketch	2-9
2.20 Where Do Ideas Come From That Require Sketching?	2-10
2.21 Sample Engineering Applications	2-11
2.22 Sample Problem: Table Saw Fixture	2-12
2.23 Summary	2-13

CHAPTER 3 Orthographic Projection

3.1 Introduction	3-1
3.1.1 Communicating in Three Dimensions	3-1
3.2 Theory of Orthographic Projection	3-2
3.2.1 First-Angle and Third-Angle Projection	3-3
3.3 Principal Views and Planes	3-4
3.3.1 Front View and the Frontal Plane	3-5

3.3.2	Top View and the Horizontal Plane	3-5
3.3.3	Side View and the Profile Plane	3-5
3.3.4	Other Principal Views and Planes	3-5
3.3.5	Relation of the Principal Views	3-6
3.4	Principal Dimensions	3-7
3.5	Nonlinear Features	3-7
3.5.1	Center Lines	3-8
3.6	Visibility	3-8
3.6.1	Describing Hidden Features	3-8
3.7	The Alphabet of Lines	3-9
3.7.1	Visible Lines	3-9
3.7.2	Dashed Lines for Hidden Features	3-9
3.7.3	Junctions of Lines	3-10
3.7.4	Center Lines	3-10
3.7.5	Construction Lines	3-10
3.7.6	Precedence of Lines	3-11
3.8	Using Subscripts	3-11
3.9	What a Line Represents	3-12
3.9.1	A Line as the Edge View of a Surface	3-12
3.9.2	A Line as an Intersection	3-12
3.9.3	A Line as a Limiting Element	3-12
3.9.4	What Can a Line Represent?	3-12
3.10	What a Point Represents	3-13
3.10.1	A Point as the Intersection of Lines	3-13
3.10.2	What Can a Point Represent?	3-13
3.11	Reading the Surfaces of Objects	3-14
3.11.1	Surfaces That Are True Size and Shape	3-14
3.11.2	Surfaces That Are Inclined	3-14
3.11.3	Surfaces That Are Oblique	3-15
3.11.4	Reading by Sketching	3-15
3.11.5	Curved and Tangent Surfaces	3-16
3.11.6	Conventional Practices	3-16
3.11.7	Filletts, Rounds, and Runouts	3-17
3.12	Keys to Reading Three-Dimensional Objects	3-18
3.12.1	Identify and Locate Points on the Object	3-18
3.12.2	Identify and Locate Lines on the Object	3-19
3.12.3	Identify and Locate Surfaces on the Object	3-19
3.12.4	Curved Surfaces and Limiting Elements	3-20
3.12.5	Reading an Object by Sketching It	3-20
3.12.6	Reading by Modeling the Object	3-20
3.13	Creating a Multiview Orthographic Drawing	3-21
3.13.1	Choice of Views	3-22
3.13.2	Planning a Drawing	3-22
3.13.3	Developing the Drawing	3-23
3.13.4	Checking Your Work	3-24
3.14	Creating a Drawing on the Computer	3-24
3.14.1	Selecting a Grid	3-24
3.14.2	Selecting the Layers	3-25
3.14.3	Selecting Pen Widths and Colors for a Printer	3-25
3.14.4	Developing the Drawing on the Computer	3-25

TECHNICAL GRAPHICS Table of Contents

Construction Lines	3-25
Visible Lines	3-26
Finishing the Drawing	3-26
Alternate Methods for Layering	3-26
3.14.5 Modeling With CAD	3-28
3.15 Auxiliary Views	3-29
3.15.1 Preparing an Auxiliary View Drawing	3-30
3.15.2 Other Auxiliary Views	3-32
3.16 Sample Problem: Table Saw Fixture	3-32
3.17 Summary	3-33

CHAPTER 4 Pictorial Drawings

4.1 Introduction	4-1
4.2 Axonometric Drawings	4-1
4.2.1 Types of Axonometric Drawings	4-1
4.2.2 The Isometric Axes	4-2
4.2.3 Normal Surfaces in Isometric	4-2
4.2.4 Inclined Surfaces in Isometric	4-3
4.2.5 Oblique Surfaces in Isometric	4-4
4.2.6 Circles and Arcs Using an Isometric Template	4-4
4.2.7 Sketching and Drawing Circles and Arcs	4-6
4.2.8 Sketching or Drawing Ellipses on Non-isometric Surfaces	4-8
4.2.9 Sketching an Irregular Ellipse or Curve	4-9
4.2.10 Exploded Views	4-9
4.2.11 Isometric Assembly Sketches and Drawings	4-10
4.2.12 Isometric Projections	4-10
4.3 Oblique Drawings	4-12
4.3.1 Oblique Views	4-12
4.3.2 Cabinet and Cavalier Oblique Drawings	4-13
4.4 Perspective Drawings	4-14
4.4.1 Perspective Overview	4-14
4.4.2 One-Point Perspective	4-14
4.4.3 Two-Point Perspective	4-16
4.4.4 Layout of the Object and Picture Plane	4-17
4.4.5 The Measuring Line	4-18
4.4.6 The Horizon	4-19
4.4.7 The Station Point	4-20
4.4.8 Vanishing Points	4-20
4.4.9 Projectors	4-20
4.4.10 Visual Rays	4-21
4.4.11 Presentation Variables	4-22
4.4.12 Angular Surfaces	4-22
4.4.13 Curved Surfaces	4-23
4.4.14 Three-Point Perspective	4-25
4.5 Computer Applications	4-25
4.6 Sample Problem: Table Saw Fixture	4-25
4.7 Summary	4-25

CHAPTER 5 Sections and Conventions

5.1	Introduction	5-1
5.2	Cutting Plane	5-1
5.3	Section Lines	5-3
5.4	Full Section	5-5
5.5	Half Sections	5-6
5.6	Offset Sections	5-7
5.7	Revolved Sections	5-7
5.8	Removed Sections	5-7
5.9	Broken-out Sections	5-8
5.10	Sectioned Assemblies	5-8
5.11	Sectioned Isometric Drawings	5-8
5.12	Conventional Breaks	5-9
5.13	Conventional Revolutions	5-9
5.13.1	Conventional Hole Revolutions	5-10
5.13.2	Conventional Rib Revolutions	5-10
5.13.3	Conventional Spoke Revolutions	5-11
5.13.4	Conventional Lug Revolutions	5-12
5.13.5	Hole, Rib, Spoke, and Lug Combination	5-12
5.13.6	Alternate Crosshatching	5-13
5.14	Sample Problem: Table Saw Fixture	5-13
5.15	Summary	5-13

CHAPTER 6 Dimensions and Tolerances

6.1	Introduction	6-1
6.1.1	Dimensioning Standards	6-1
6.1.2	Dimensioning Practices	6-2
6.2	Scaling and Dimensions	6-2
6.2.1	Types of Scales	6-3
6.2.2	Specifying Scales on a Drawing	6-5
6.3	Dimensioning Basic Shapes	6-5
6.3.1	Assumptions	6-5
Perpendicularity	6-5
Symmetry	6-5
6.3.2	Simple Shapes	6-5
Rectangular Prisms	6-5
Cylinders	6-5
Cone and Frustum	6-6
6.3.3	Simple Curved Shapes	6-6
6.3.4	Circular Center Lines	6-7
6.4	Placement of Dimensions	6-8
6.4.1	Characteristic View	6-8
6.4.2	Dimensions Should Be Grouped	6-8
6.4.3	Preferred Locations	6-8

TECHNICAL GRAPHICS Table of Contents

6.5 Dimensioning Systems	6-8
6.5.1 Alignment of Dimension Numbers	6-8
6.5.2 Units of Measurement	6-9
6.6 Standard Practices	6-9
6.6.1 Lines for Dimensioning	6-9
6.6.2 Arrowheads	6-9
6.6.3 Lettering and Notes	6-10
6.6.4 Readability	6-10
6.7 Planning and Layout	6-11
6.8 Functional Relationships	6-11
6.8.1 Tolerance Accumulation	6-11
6.8.2 Dimensioning to Finished Surfaces	6-12
6.8.3 Dimensions for Locating Features on an Object	6-13
6.8.4 Procedure for Functional Dimensioning	6-14
6.9 Dimensioning on the Computer	6-14
6.9.1 A Layer for Dimensions	6-14
6.9.2 Scaling a CAD Drawing	6-14
6.9.3 Automatic Dimensioning	6-15
6.10 Other Standard Dimensioning Systems	6-15
6.10.1 Datum Lines and Surfaces	6-16
6.10.2 Tabular Dimensioning	6-16
6.10.3 Other Design Disciplines	6-17
6.11 Dimensioning for Interchangeable Parts	6-18
6.11.1 Types of Fits	6-18
Clearance Fits	6-19
Checking Fit Calculations	6-19
Interference Fits	6-20
Transition Fits	6-20
6.11.2 Standard Fits	6-20
6.11.3 Cylindrical Fits	6-21
Basic Hole System	6-21
Basic Shaft System	6-22
6.12 Advanced Dimensioning Topics	6-23
6.12.1 Metric Dimensioning With International Standards	6-23
6.12.2 Surface Control	6-23
6.12.3 Geometric Tolerancing	6-23
6.13 Principles of Good Dimensioning	6-23
6.14 Checking a Dimensioned Drawing	6-28
6.15 Sample Problem: Table Saw Fixture	6-28
6.16 Summary	6-29

CHAPTER 7 Dimensioning for Production

7.1 Introduction	7-1
7.2 Manufacturing Processes	7-2
7.2.1 Material Reformation	7-2
7.2.2 Material Removal	7-3
7.2.3 Material Addition	7-5
7.2.4 Assembly Processes	7-6

7.3 Standard Tables for Fits	7-7
7.3.1 Preferred Limits and Fits in Inches	7-7
7.3.2 Preferred Metric Limits and Fits	7-9
7.4 Surface Control	7-11
7.5 Geometric Tolerancing	7-14
7.5.1 Definitions and Symbols	7-15
7.5.2 Datum Referencing	7-16
7.5.3 Tolerances of Location	7-17
7.5.4 Tolerances of Form	7-19
7.6 Sample Problem: Table Saw Fixture	7-22
7.7 Summary	7-22

CHAPTER 8 Fastening, Joining, and Standard Parts

8.1 Introduction	8-1
8.2 Screw-Thread Terms	8-2
8.3 Other Properties of Threads	8-3
8.3.1 Right-hand and Left-hand Threads	8-3
8.3.2 Screw-Thread Forms	8-3
8.3.3 Multiple Threads	8-4
8.3.4 Thread Series	8-5
8.3.5 Specifying a Thread	8-6
8.4 Threaded Fasteners	8-7
8.4.1 Screws	8-7
8.4.2 Bolts, Nuts, Studs, and Washers	8-9
8.4.3 Materials for Fasteners	8-11
8.5 Representing Threads and Fasteners on Drawings	8-11
8.5.1 Detailed Thread Symbols	8-12
8.5.2 Schematic Thread Symbols	8-13
8.5.3 Simplified Thread Symbols	8-14
8.5.4 Drawing Screw Heads and Nuts	8-14
8.5.5 Specifying Fasteners	8-15
8.6 Other Mechanical Fasteners	8-15
8.6.1 Rivets	8-16
8.6.2 Pins	8-16
8.6.3 Keys	8-17
8.6.4 Retaining Rings	8-18
8.7 Other Machine Elements	8-18
8.8 Thermal Processes	8-20
8.8.1 Welding Processes	8-20
8.8.2 Specifying Welds on Drawings	8-22
8.8.3 Soldering and Brazing	8-23
8.9 Adhesives	8-24
8.9.1 Principal Types of Adhesives	8-24
8.10 The Future of Fastening and Joining	8-25
8.11 Sample Problem: Table Saw Fixture	8-26
8.12 Summary	8-26

CHAPTER 9 Production Drawings

9.1 Introduction	9-1
9.2 Applications of Production Drawings	9-12
9.3 Types of Production Drawings	9-12
9.3.1 Orthographic Detail Drawings	9-12
9.3.2 Sectioned Assembly Drawings	9-13
9.3.3 Pictorial Drawings and Diagrams	9-14
9.3.4 Drawings for Other Disciplines	9-16
9.4 Callouts	9-19
9.5 Identification of Measuring Units	9-19
9.6 Paper Sizes for Drawings	9-20
9.7 Title Blocks	9-21
9.8 Revisions	9-24
9.9 Parts List	9-24
9.10 General Notes	9-25
9.11 Applications of the CAD Database	9-26
9.12 Flow of Information	9-29
9.13 Accompanying Written Specifications	9-30
9.14 Sample Problem: Table Saw Fixture	9-30
9.15 Summary	9-31

CHAPTER 10 Three-Dimensional Geometry Concepts

10.1 Introduction	10-1
10.2 Applications of Descriptive Geometry	10-8
10.2.1 Problem-solving Skills	10-9
10.2.2 Developing Visualization Skills	10-10
10.3 Operations	10-10
10.3.1 The Direct Method	10-10
10.3.2 The Glass Box: Fold Line Method	10-13
10.4 Line Relationships	10-15
10.4.1 Principal Lines	10-15
10.4.2 Inclined Lines	10-15
10.4.3 Oblique Lines	10-15
10.4.4 Parallel Lines	10-18
10.4.5 Perpendicular Lines	10-19
10.4.6 Angular Relationships	10-20
10.4.7 Applications	10-21
10.5 Plane and Line Relationships	10-22
10.5.1 Principal Planes	10-22
10.5.2 Inclined Planes	10-22
10.5.3 Oblique Planes	10-27
10.5.4 Lines Parallel to Planes	10-29
10.5.5 Lines Perpendicular to Planes	10-30
10.5.6 Angles between Lines and Planes	10-30

10.5.7	Lines Intersecting Planes	10-33
10.5.8	Planes Parallel to Planes	10-34
10.5.9	Dihedral Angles	10-34
10.5.10	Planar Intersections	10-35
10.5.11	Plane-Solid Intersections	10-36
10.5.12	Solid-Solid Intersections	10-39
10.6	Curved Surfaces	10-40
10.6.1	Line-Cylinder Intersections	10-43
10.6.2	Line-Cone Intersections	10-44
10.6.3	Line-Sphere Intersections	10-45
10.6.4	Plane-Cylinder Intersections	10-45
10.6.5	Plane-Cone Intersections	10-46
10.6.6	Cylinder-Cylinder Intersections	10-47
10.6.7	Cylinder-Right Circular Cone Intersection	10-48
10.7	Sample Problem: Table Saw Fixture	10-49
10.8	Summary	10-50

CHAPTER 11 3-D Geometry Applications

11.1	Introduction	11-1
11.2	Pattern Developments	11-1
11.2.1	Principles and Examples	11-1
11.2.2	Right Solids	11-2
11.2.3	Cylinders	11-6
11.2.4	Cones	11-10
11.2.5	Pyramids and Tetrahedrons	11-11
11.2.6	Transition Pieces	11-12
11.2.7	Models From Intersecting Solids	11-13
11.2.8	Applications	11-16
11.3	Maps and Contour Plots	11-16
11.3.1	Map Introduction	11-17
11.3.2	Concept of Representing Elevation	11-22
11.3.3	Sections or Profiles and Applications	11-22
11.4	Vector Graphics	11-23
11.4.1	Vector Addition and Subtraction	11-24
11.4.2	Applications	11-25
	Statics: Two-Dimensional, Single-Joint Problem	11-25
	Statics: Two-Dimensional Truss Analysis	11-27
	Statics: Three-Dimensional Analysis	11-27
11.5	Shades and Shadows	11-28
11.5.1	Shade, Shadows, and the Standard Light Ray	11-28
11.5.2	Orthographic Views	11-29
11.5.3	Shades and Shadows in Isometric Pictorials	11-37
11.5.4	Shades and Shadows in Perspective Pictorials	11-40
11.6	Sample Problem: Table Saw Fixture	11-42
11.7	Summary	11-42

CHAPTER 12 Graphical Presentation of Data

12.1 Introduction 12-1

12.2 Charts and Graphs 12-1

12.2.1 Classes of Charts and Graphs 12-1

12.2.2 Typical Uses of Charts and Graphs 12-2

12.2.3 Types of Graphs and Their Uses 12-4

 Line Graphs 12-4

 Multiple-Line Graphs 12-5

 Multiple-Scale Graphs 12-5

 Pie Charts 12-6

 Polar Charts 12-7

 Bar Charts 12-8

 Surface Charts 12-9

 Three-Coordinate Charts 12-9

 Tri-linear Charts 12-10

12.2.4 Plotting a Graph 12-11

 Selecting the Type of Graph 12-11

 Selecting a Size for a Graph 12-11

 Selecting and Calibrating a Scale 12-12

12.2.5 Adding Titles and Labels 12-14

 Chart/Graph Title 12-14

 Labeling the Axes 12-15

12.2.6 Modeling Empirical Data (Data Scatter) 12-16

 Best-Fit Methods 12-16

 Types of Data 12-17

12.2.7 Computer-based Chart and Graph Programs 12-17

12.3 Merging Text and Graphics by Computer 12-20

12.4 Sample Problem: Table Saw Fixture 12-23

12.5 Summary 12-23

CHAPTER 13 Design Process

13.1 Introduction 13-1

13.1.1 Product Design and Systems Design 13-2

13.2 Scientific Method 13-4

13.2.1 Determine a Need 13-5

13.2.2 Establish Known Information 13-6

13.2.3 Stimulate Design Concepts 13-6

13.2.4 Investigate Design Concepts With Analytical Tools 13-7

13.2.5 Gather and Review Investigation Data 13-8

13.2.6 Now Test the Design 13-8

13.2.7 Propose to Accept, Modify, or Reject the Design 13-9

13.2.8 Render the Final Decision and Prepare Working Drawings 13-10

13.2.9 Optimize Design by Iteration 13-10

13.3 Lateral Thinking 13-11

13.4 Presentation 13-12

13.4.1 What Is Being Presented? 13-12

13.4.2 Why Is the Presentation Being Made? 13-12

13.4.3 Who Is the Audience? 13-13

13.4.4 When Will the Presentation Be Made? 13-13

13.4.5 Where Will the Presentation Be Made? 13-13

TECHNICAL GRAPHICS Table of Contents

13.4.6	How Will the Information Be Presented?	13-14
13.4.7	How Much Will the Presentation Cost?	13-14
13.4.8	Notes on Content of Presentations	13-14
13.5	Protection of Designs	13-15
13.6	A Design Problem	13-16
13.6.1	Determine a Need	13-16
13.6.2	Establish Known Information	13-16
13.6.3	Stimulate Design Concepts	13-18
13.6.4	Investigate Design Concepts With Analytical Tools	13-20
13.6.5	Gather and Review Investigation Data	13-22
13.6.6	Now Test the Design	13-22
13.6.7	Propose to Accept, Modify, or Reject the Design	13-23
13.6.8	Render the Final Decision	13-24
13.6.9	Optimize Design by Iteration	13-25
13.7	Summary	13-26