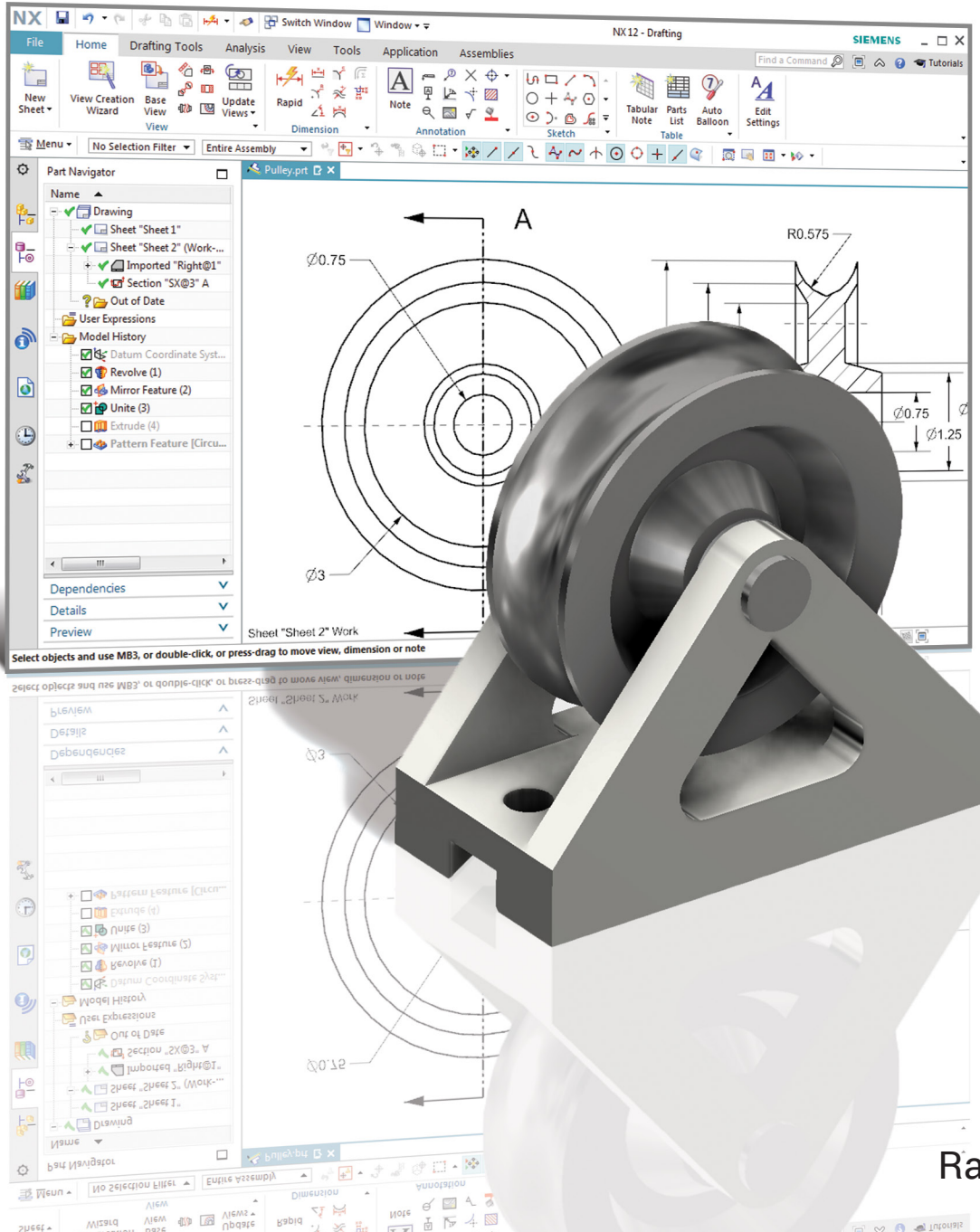


Parametric Modeling with NX[®] 12

NEW
Contains a new
chapter on 3D printing



Randy H. Shih

Visit the following websites to learn more about this book:



[amazon.com](https://www.amazon.com)

[Google books](https://books.google.com)

[BARNES & NOBLE](https://www.barnesandnoble.com)

Table of Contents

Preface

Acknowledgments

Chapter 1

Introduction - Getting Started

Introduction	1-2
Development of Computer Geometric Modeling	1-2
Feature-Based Parametric Modeling	1-6
Getting Started with NX	1-7
The NX Main Window	1-8
NX Screen Layout	1-10
Quick Access Toolbar	1-11
Ribbon Bar	1-11
Zoom Toolbar	1-11
Additional Tools	1-11
Selection Toolbar	1-12
Message and Status Bar	1-12
Part Navigator	1-12
Resource Bars	1-12
Mouse Buttons	1-13
[Esc] - Canceling commands	1-14
On-Line Help	1-14
Leaving NX	1-14
Creating a CAD files folder	1-15

Chapter 2

Parametric Modeling Fundamentals

Introduction	2-2
The Adjuster design	2-3
Step 1: Starting <i>NX</i> and Units setup	2-3
<i>NX</i> Application Screen Layout	2-5
Step 2: Determine/Set Up the First Solid Feature	2-6
Work Plane – It is an XY CRT, but an XYZ World	2-7
Creating Rough Sketches	2-9
Sketch Settings	2-10
Step 3: Creating a Rough 2D Sketch	2-11
Geometric Constraint Symbols	2-12
Step 4: Apply/Modify Constraints and Dimensions	2-13
Quick View Functions	2-18
Dynamic Viewing Functions	2-18

Step 5: Completing the Base Solid Feature	2-19
Display Orientations	2-20
Dynamic Viewing – Icons, Mouse buttons and Quick keys	2-21
Display Modes	2-23
Step 6-1: Adding an Extruded Feature	2-24
Step 6-2: Adding a Cut Feature	2-28
Step 6-3: Adding another Cut Feature	2-31
Save the Model and Exit NX	2-35
Review Questions	2-36
Exercises	2-37

Chapter 3

Constructive Solid Geometry Concepts

Introduction	3-2
Binary Tree	3-3
The Locator Design	3-4
Modeling Strategy - CSG Binary Tree	3-5
Starting NX	3-6
Base Feature	3-7
Sketch Settings	3-9
Use the Rectangle Command	3-10
Completing the Base Solid Feature	3-11
Creating the Next Solid Feature	3-12
Creating a CUT Feature	3-15
Creating a PLACED FEATURE	3-18
Creating a Rectangular Cut Feature	3-21
Review Questions	3-24
Exercises	3-25

Chapter 4

Model History Tree

The BORN Technique	4-2
Model History Tree	4-3
The <i>Saddle Bracket</i> Design	4-4
Starting NX	4-4
Modeling Strategy	4-5
Apply the BORN Technique	4-7
The <i>NX Part Navigator</i>	4-12
Create the Second Solid Feature	4-13
Use More Meaningful Feature Names	4-16
Adjust the Width of the Base Feature	4-17
Add a Placed Feature	4-20
Create a Rectangular Cut Feature	4-22

History-based Part Modifications	4-26
A Design Change	4-27
Assign and calculate the associated Physical Properties	4-29
Review Questions	4-33
Exercises	4-34

Chapter 5

Parametric Constraints Fundamentals

CONSTRAINTS and RELATIONS	5-2
Starting NX	5-3
Display Existing Constraints	5-6
Apply Geometric Constraints Implicitly	5-8
Apply Geometric Constraints Explicitly	5-9
Add Dimensional Constraints	5-11
A Fully Constrained Sketch	5-13
Over-Constraining 2D Sketches	5-15
Delete Existing Constraints and Dimensions	5-17
2D Sketches with Multiple Loops	5-20
Inferred Constraint Settings	5-22
Parametric Relations	5-23
Dimensional Values and Dimensional Variables	5-24
Review Questions	5-27
Exercises	5-28

Chapter 6

Geometric Construction Tools

Introduction	6-2
The Gasket Design	6-2
Modeling Strategy	6-3
Starting NX	6-4
Create the Sketch of the Base Feature	6-5
Edit the Sketch by Dragging the Entities	6-7
Add Additional Constraints	6-9
First Construction Method – Trim/Extend	6-10
Create Fillets and Completing the Sketch	6-13
Complete the Extrusion Feature	6-14
Second Construction Method – Haystack Geometry	6-15
Use the NX Selection Intent Option	6-20
Create an Associative OFFSET Cut Feature	6-22
Review Questions	6-25
Exercises	6-26

Chapter 7

Parent/Child Relationships

Introduction	7-2
The U-Bracket Design	7-3
Create the Base Feature	7-4
Complete the Base Feature	7-6
The Implied Parent/Child Relationships	7-7
Create the Second Solid Feature	7-8
Fully Constraining the Sketch	7-10
Complete the Extrude Feature	7-12
Creating a Subtract Feature	7-13
Another Subtract Feature	7-14
Examine the Parent/Child Relationships	7-15
A Design Change	7-16
Feature Suppression	7-17
A Different Approach to the CENTER_DRILL Feature	7-19
Examine the Parent/Child Relationships	7-20
Suppress the Rect_Cut Feature	7-21
Create a Hole Feature	7-22
A Flexible Design Approach	7-24
Review Questions	7-25
Exercises	7-26

Chapter 8

Part Drawings and Associative Functionality

Drawings from Parts and Associative Functionality	8-2
Starting NX	8-3
Drawing Mode - 2D Paper Space	8-3
NX Drafting Mode	8-4
Add a Base View	8-5
Drawing Display Option	8-7
Change the Size of the Drawing Sheet	8-7
Turn Off the Datum Coordinate System	8-9
Text Orientation Setup	8-10
Display Feature Dimensions	8-11
Adjust the Display of Tangency Edges	8-16
Hide Feature Dimensions	8-17
Unhide the Hidden Dimensions	8-18
Delete Feature Dimensions	8-19
Add Center Marks	8-20
Add Additional Dimensions – Reference Dimensions	8-21
Change the Dimension Appearance	8-22
Associative Functionality – Modifying Feature Dimensions	8-23

Review Questions	8-26
Exercises	8-27

Chapter 9

Datum Features and Auxiliary Views

Datum Features	9-2
Auxiliary Views in 2D Drawings	9-2
The <i>Rod-Guide</i> Design	9-2
Modeling Strategy	9-3
Start NX	9-4
Create the Base feature	9-5
Create an Angled Datum Plane	9-8
Create an Extruded Feature Using the Datum Plane	9-10
Apply Proper Constraints	9-11
Create an Offset Datum Plane	9-14
Create a Hole Feature Using the New Datum Plane	9-15
Create a Title Block Template	9-17
Use the Export File Command	9-21
Reopen the Rod Guide Design	9-22
Import the Title Block	9-23
Add a Base View	9-24
Create an Auxiliary View	9-25
Turn Off the Datum Planes and Reference Labels	9-27
Turn Off the Display Borders Option	9-28
Add another Base View	9-29
Drawing Display Option	9-30
Display Feature Dimensions	9-31
Delete and Add Dimensions	9-33
Review Questions	9-35
Exercises	9-36

Chapter 10

Introduction to 3D Printing

What is 3D Printing	10-2
Development of 3D Printing Technologies	10-3
Primary types of 3D Printing processes	10-6
Stereolithography	10-6
Fused Deposition Modeling & Fused Filament Fabrication	10-7
Laser Sintering / Laser Melting	10-8
Primary 3D Printing Materials for FDM and FFF	10-9
From 3D model to 3D printed Part	10-11
Start NX	10-12
Export the Design as an STL file	10-13

Using the 3D Printing software to create the 3D Print	10-14
Questions	10-23

Chapter 11

Symmetrical Features in Designs

Introduction	11-2
A Revolved Design: PULLEY	11-2
Modeling Strategy - A Revolved Design	11-3
Start NX	11-4
Create the Base Feature	11-5
Completing the Sketch and Creating the Feature	11-6
Mirroring Features	11-8
Join the Two Solid Features	11-10
Create a Pattern Leader	11-11
Circular Array	11-13
Create a New Drawing in the Drafting Mode	11-15
Import the Title Block	11-16
Create 2D Views	11-17
Add a Section View	11-18
Turn Off the Datum Features	11-20
Add Dimensions	11-21
Adjust the Display of the Views	11-23
Turn Off the Display Borders option	11-26
Associative Functionality – A Design Change	11-27
Review Questions	11-30
Exercises	11-31

Chapter 12

Advanced 3D Construction Tools

Introduction	12-2
A Thin-Walled Design: <i>Dryer Housing</i>	12-2
Modeling Strategy	12-3
Start NX	12-4
Create the Base Feature	12-5
Create a Revolved Feature	12-8
Create the Dryer Handle	12-9
Create another Extruded Feature	12-11
Create 3D Rounds and Fillets	12-15
Create a Shell Feature	12-17
Create a Pattern Leader	12-18
Creating a Rectangular Array	12-22
Create a Swept Cut Feature	12-24

Define the Sweep Section	12-24
Create the Swept Feature	12-26
Review Questions	12-28
Exercises	12-29

Chapter 13

Basic Sheet Metal Designs

Sheet Metal Processes	13-2
Sheet Metal Modeling	13-4
K-Factor (Neutral Factor)	13-5
The Actuator Bracket Design	13-6
Start NX	13-7
Sheet Metal Preferences	13-8
Create the Base Feature of the Design	13-9
Create a Cut Feature with the Extrude Command	13-11
Create a Flange Feature	13-14
Confirm the Flange Location	13-16
Add another Extruded Feature	13-17
Create a Bend Feature	13-19
Create Mirrored Features	13-22
Create a 2D Sheet Metal Drawing	13-24
Import the Pre-Defined Title Block	13-25
Create 2D Views	13-26
Create the Associated Flat Pattern	13-27
Add an Isometric View	13-30
Confirm the Flattened Length	13-31
Set up Dimensions Preferences	13-33
Review Questions	13-35
Exercises	13-36

Chapter 14

Assembly Modeling - Putting It All Together

Introduction	14-2
The Shaft Support Assembly	14-2
Assembly Modeling Methodology	14-3
Additional <i>Parts</i>	14-4
(1) Collar	14-4
(2) Bearing	14-4
(3) Base-Plate	14-5
(4) Cap-Screw	14-5
Start NX	14-6
Loading and Placing the First Component	14-7

Placing the Second Component	14-8
Degrees of Freedom and Assembly Constraints	14-10
Apply the First Assembly Constraint	14-14
Apply another Align Constraint	14-15
Constrained Move	14-16
Apply another Assembly Constraint	14-19
Placing the Third Component	14-21
Quick Editing of Applied Constraints	14-24
Assemble the First Cap-Screw	14-25
Placing the Second Cap-Screw Part	14-28
Exploded View of the Assembly	14-29
Switch between the Exploded/Unexploded Views	14-32
Edit the Components	14-33
Set up a Drawing of the Assembly Model	14-36
Importing the Title Block	14-36
Create a Parts List	14-38
Complete the Assembly Drawing	14-38
Conclusion	14-40
Summary of Modeling Considerations	14-40
Review Questions	14-41
Exercises	14-42

Appendix A

Index