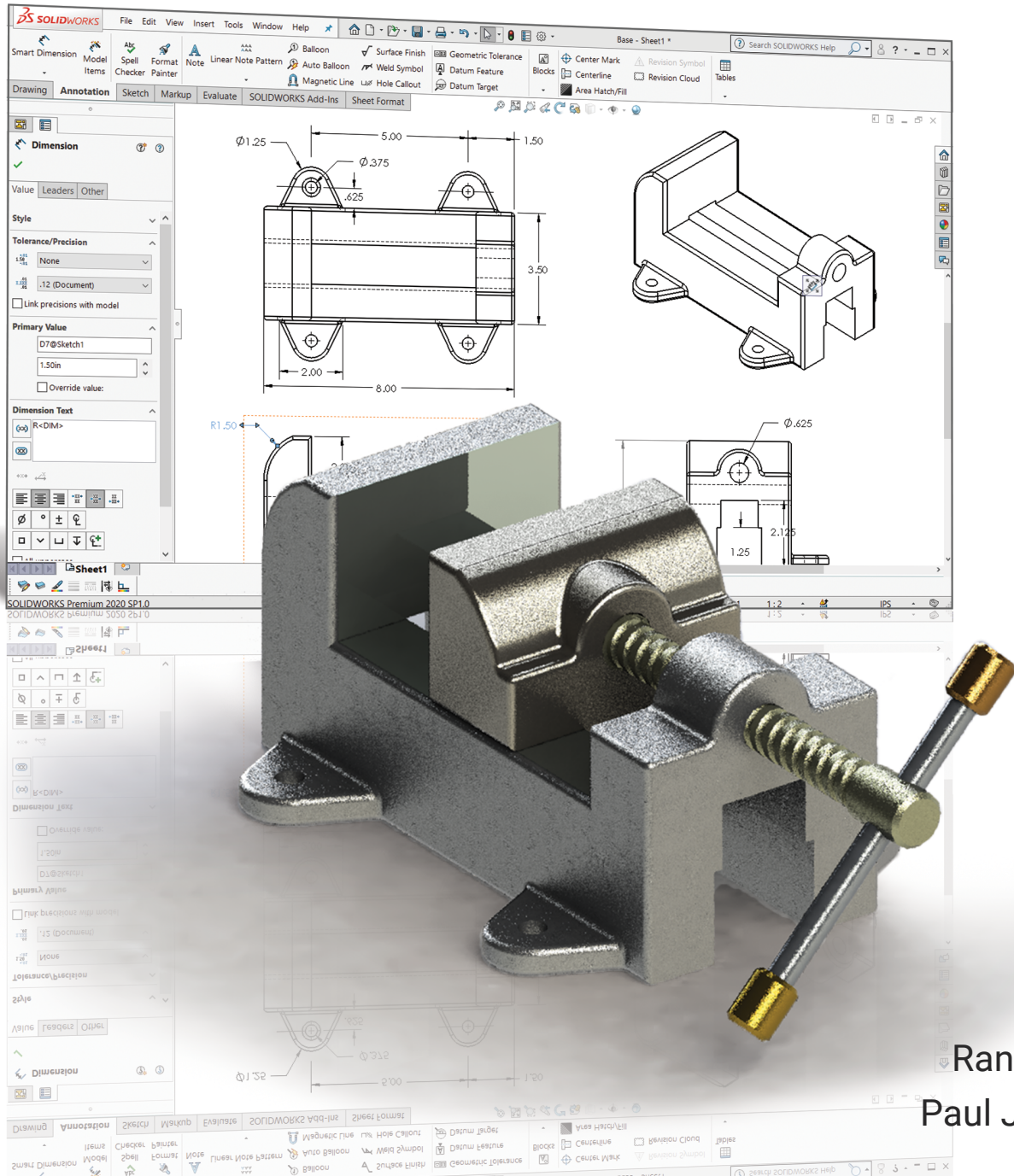


# Parametric Modeling with SOLIDWORKS® 2020

Covers materials found on the CSWA exam



Randy H. Shih  
Paul J. Schilling

Visit the following websites to learn more about this book:



[amazon.com](https://www.amazon.com)

[Google books](https://books.google.com)

[BARNES & NOBLE](https://www.barnesandnoble.com)

# Table of Contents

<b>Preface</b>	i
<b>Acknowledgments</b>	ii
<b>Table of Contents</b>	iii
<b>Certified SOLIDWORKS Associate (CSWA) Exam Overview</b>	xii
<b>Chapter 1</b>	
<b>Getting Started</b>	
Introduction	1-2
Development of Computer Geometric Modeling	1-2
Feature-Based Parametric Modeling	1-6
Getting Started with SOLIDWORKS	1-7
Units Setup	1-10
SOLIDWORKS Screen Layout	1-12
Mouse Buttons	1-18
[Esc] - Canceling Commands	1-18
Online Help	1-19
SOLIDWORKS Search	1-19
Leaving SOLIDWORKS	1-20
Creating a CAD Files Folder	1-20
<b>Chapter 2</b>	
<b>Parametric Modeling Fundamentals</b>	
Introduction	2-3
The Adjuster Design	2-4
Starting SOLIDWORKS	2-4
SOLIDWORKS Screen Layout	2-5
Units Setup	2-6
Creating Rough Sketches	2-7
Step 1: Creating a Rough Sketch	2-8
Graphics Cursors	2-8
Geometric Relation Symbols	2-10
Step 2: Apply/Modify Relations and Dimensions	2-11
Changing the Dimension Standard	2-12
Viewing Functions – Zoom and Pan	2-13
Modifying the Dimensions of the Sketch	2-14
Step 3: Completing the Base Solid Feature	2-15
Isometric View	2-16
Rotation of the 3-D Model – Rotate View	2-16
Rotation and Panning – Arrow keys	2-18
Viewing – Quick Keys	2-19
Viewing Tools – Heads-up View Toolbar	2-21
View Orientation	2-22
Display Style	2-23

Orthographic vs. Perspective	2-23
Sketch Plane	2-24
Step 4-1: Adding an Extruded Boss Feature	2-26
Step 4-2: Adding an Extruded Cut Feature	2-29
Save the Part File	2-31
Questions	2-32
Exercises	2-33

### **Chapter 3**

## **Constructive Solid Geometry Concepts**

Introduction	3-3
Binary Tree	3-4
The Locator Design	3-5
Modeling Strategy – CSG Binary Tree	3-6
Starting SOLIDWORKS and Activating the CommandManager	3-7
<i>GRID</i> and <i>SNAP</i> Intervals Setup	3-9
Base Feature	3-9
Modifying the Dimensions of the Sketch	3-12
Repositioning Dimensions	3-12
Completing the Base Solid Feature	3-12
Creating the Next Solid Feature	3-14
Creating an Extruded Cut Feature	3-17
Creating a Hole with the <i>Hole Wizard</i>	3-20
Creating a Rectangular Extruded Cut Feature	3-23
Using the View Selector	3-26
Questions	3-28
Exercises	3-29

### **Chapter 4**

## **Feature Design Tree**

Introduction	4-3
Starting SOLIDWORKS	4-4
Creating a User-Defined Part Template	4-5
The Saddle Bracket Design	4-9
Modeling Strategy	4-10
The SOLIDWORKS FeatureManager Design Tree	4-11
Creating the Base Feature	4-11
Adding the Second Solid Feature	4-14
Creating a 2D Sketch	4-15
Renaming the Part Features	4-17
Adjusting the Width of the Base Feature	4-18
Adding a Hole	4-19
Creating a Rectangular Extruded Cut Feature	4-22
History-Based Part Modifications	4-23
A Design change	4-24

FeatureManager Design Tree Views	4-26
Selecting a Material and Viewing the Mass Properties	4-28
Questions	4-30
Exercises	4-31

## **Chapter 5**

### **Geometric Relations Fundamentals**

DIMENSIONS and RELATIONS	5-3
Create a Simple Triangular Plate Design	5-3
Fully Defined Geometry	5-4
Starting SOLIDWORKS and Activating the CommandManager	5-4
Displaying Existing Relations	5-6
Applying Geometric Relations/Dimensional Constraints	5-7
Over-Defining and Driven Dimensions	5-13
Deleting Existing Relations	5-14
Using the Fully Define Sketch Tool	5-15
Adding Additional Geometry	5-16
Relations Settings	5-19
Parametric Relations	5-20
Dimensional Values and Dimensional Variables	5-22
Parametric Equations	5-23
Viewing the Established Equations	5-23
Global Variables	5-26
Viewing/Editing Equations and Global Variables Using the Dimension Modify Dialog Box	5-30
View Options in the <i>Equations, Global Variables, and Dimensions</i> Dialog Box	5-31
Direct Input of Equations in PropertyManager Fields	5-33
Completing and Saving the Part File	5-34
Questions	5-35
Exercises	5-36

## **Chapter 6**

### **Geometric Construction Tools**

Introduction	6-3
The Gasket Design	6-3
Modeling Strategy	6-4
Starting SOLIDWORKS	6-5
Creating a 2D Sketch	6-6
Editing the Sketch by Dragging the Entities	6-8
Adding Additional Relations	6-10
Using the <i>Trim</i> and <i>Extend</i> Commands	6-11
Adding Dimensions with the Fully Define Sketch Tool	6-14
Fully Defined Geometry	6-16
Creating Fillets and Completing the Sketch	6-17

Profile Sketch	6-18
Redefining the Sketch and Profile using Contour Selection	6-19
Selecting Items by Box and Lasso	6-23
Create an OFFSET Extruded Cut Feature	6-25
Alternate Construction Method - Thin Feature Option	6-29
Questions	6-32
Exercises	6-33

## **Chapter 7**

### **Parent/Child Relationships and the BORN Technique**

Introduction	7-3
The BORN Technique	7-3
The U-Bracket Design	7-4
Starting SOLIDWORKS and Activating the CommandManager	7-4
Applying the BORN Technique	7-5
Creating the 2D Sketch for the Base Feature	7-7
Creating the First Extrude Feature	7-13
The Implied Parent/Child Relationships	7-13
Creating the Second Solid Feature	7-14
Creating the First Extruded Cut Feature	7-17
Creating the Second Extruded Cut Feature	7-18
Examining the Parent/Child Relationships	7-19
Modify a Parent Dimension	7-21
A Design Change	7-22
Feature Suppression	7-23
A Different Approach to the CENTER_DRILL Feature	7-24
Suppress the Rect_Cut Feature	7-25
Creating a Circular Extruded Cut Feature	7-26
A Flexible Design Approach	7-28
Save Part File	7-29
Questions	7-30
Exercises	7-31

## **Chapter 8**

### **Part Drawings and Associative Functionality**

Drawings from Parts and Associative Functionality	8-3
Starting SOLIDWORKS	8-4
Drawing Mode	8-4
Setting Document Properties	8-7
Setting Sheet Properties Using the Pre-Defined Sheet Formats	8-8
Creating Three Standard Views	8-8
Repositioning Views	8-9
Adding a New Sheet	8-10
Adding a Base View	8-11
Adding an Isometric View using the View Palette	8-13

Adjusting the View Scale	8-14
Displaying Feature Dimensions	8-15
Repositioning, Appearance, and Hiding of Feature Dimensions	8-16
Adding Additional Dimensions – Reference Dimensions	8-18
Tangent Edge Display	8-21
Adding Center Marks, Center Lines, and Sketch Objects	8-21
Edit Sheet vs. Edit Sheet Format	8-25
Completing the Drawing Sheet	8-25
Property Links	8-27
Associative Functionality – Modifying Feature Dimensions	8-32
Saving the Drawing File	8-35
Creating a Drawing Template	8-35
Questions	8-39
Exercises	8-40

## Chapter 9

### Reference Geometry and Auxiliary Views

Reference Geometry	9-3
Auxiliary Views in 2D Drawings	9-3
The <i>Rod-Guide</i> Design	9-3
Modeling Strategy	9-4
Starting SOLIDWORKS	9-5
Applying the BORN Technique	9-5
Creating the Base Feature	9-6
Creating an Angled Reference Plane	9-8
Creating a 2D Sketch on the Reference Plane	9-11
Using the Convert Entities Option	9-11
Completing the Solid Feature	9-16
Creating an Offset Reference Plane	9-17
Creating another Extruded Cut Feature Using the Reference Plane	9-18
Starting a New 2D Drawing and Adding a Base View	9-20
Creating an Auxiliary View	9-21
Displaying Feature Dimensions	9-23
Adjusting the View Scale	9-25
Repositioning, Appearance, and Hiding of Feature Dimensions	9-25
Tangent Edge Display	9-28
Adding Center Marks and Center Lines	9-28
Controlling the View and Sheet Scales	9-31
Completing the Drawing Sheet	9-32
Editing the Isometric View	9-33
Questions	9-35
Exercises	9-36

## Chapter 10

### Introduction to 3D Printing

What is 3D Printing?	10-2
Development of 3D Printing Technologies	10-3
Primary Types of 3D Printing Processes	10-6
Primary 3D Printing Materials for FDM and FFF	10-9
From 3D Model to 3D Printed Part	10-11
Starting SOLIDWORKS	10-12
SOLIDWORKS Print3D Command	10-13
Using the 3D Printing Software to Create the 3D Print	10-18
Questions	10-26

## Chapter 11

### Symmetrical Features in Designs

Introduction	11-3
A Revolved Design: PULLEY	11-3
Modeling Strategy – A Revolved Design	11-4
Starting SOLIDWORKS	11-5
Creating the 2D Sketch for the Base Feature	11-5
Creating the Revolved Feature	11-9
Mirroring Features	11-10
Creating an Extruded Cut Feature using Construction Geometry	11-11
Circular Pattern	11-16
Drawing Mode – Defining a New Border and Title Block	11-18
Creating a New Drawing Template	11-21
Creating Views	11-22
Retrieve Dimensions – Model Items Command	11-25
Save the Drawing File	11-26
Associative Functionality – A Design Change	11-27
Adding Centerlines to the Pattern Feature	11-29
Completing the Drawing	11-30
Questions	11-33
Exercises	11-34

## Chapter 12

### Advanced 3D Construction Tools

Introduction	12-3
A Thin-Walled Design: <i>Dryer Housing</i>	12-3
Modeling Strategy	12-4
Starting SOLIDWORKS	12-5
Creating the 2D Sketch for the Base Feature	12-5
Create a Revolved Boss Feature	12-8
Creating Offset Reference Planes	12-9
Creating 2D Sketches on the Reference Planes	12-10



Creating a Lofted Feature	12-13
Creating an Extruded Boss Feature	12-15
Completing the Extruded Boss Feature	12-16
Creating 3D Rounds and Fillets	12-17
Creating a Shell Feature	12-18
Create a Rectangular Extruded Cut Feature	12-19
Creating a Linear Pattern	12-21
Creating a Swept Feature	12-24
Using PhotoView 360, Scenes, and Appearances	12-29
Questions	12-33
Exercises	12-34

## **Chapter 13**

### **Sheet Metal Designs**

Sheet Metal Processes	13-3
Sheet Metal Modeling	13-5
K-Factor	13-6
The Actuator Bracket Design	13-7
Starting SOLIDWORKS and Opening the Sheet Metal Toolbar	13-8
Creating the Base Feature of the Design	13-9
Creating an Edge Flange	13-14
Adding a Tab	13-18
Creating a Cut Feature	13-20
Creating a Bend	13-22
Flattening the Sheet Metal Part	13-24
Confirm the Flattened Length	13-25
Creating a Sheet Metal Drawing	13-26
Sheet Metal Bend Notes	13-30
Completing the Drawing	13-31
Questions	13-34
Exercises	13-35

## **Chapter 14**

### **Assembly Modeling – Putting It All Together**

Introduction	14-3
Assembly Modeling Methodology	14-3
The Shaft Support Assembly	14-4
Parts	14-4
Creating the Collar Using the Chamfer Command	14-4
Creating the Bearing and Base-Plate	14-6
Creating the Cap-Screw	14-7
Starting SOLIDWORKS	14-8
Document Properties	14-8
Inserting the First Component	14-9
Inserting the Second Component	14-10

Degrees of Freedom	14-11
Assembly Mates	14-11
Apply the First Assembly Mate	14-13
Apply a Second Mate	14-14
Constrained Move	14-15
Apply a Third Mate	14-16
Inserting the Third Component	14-19
Applying Concentric and Coincident Mates	14-19
Assemble the Cap-Screws using SmartMates	14-21
Exploded View of the Assembly	14-25
Save the Assembly Model	14-27
Editing the Components	14-27
Set up a Drawing of the Assembly Model	14-29
Creating a Bill of Materials	14-30
Editing the Bill of Materials	14-32
Completing the Assembly Drawing	14-35
Exporting the Bill of Materials	14-38
Questions	14-39
Exercises	14-40

## **Chapter 15**

### **Design Library and Basic Motion Study**

Introduction	15-3
The Crank-Slider Assembly	15-4
Creating the Required Parts	15-4
Mate References	15-7
Starting SOLIDWORKS	15-9
Document Properties	15-9
Inserting the First Component	15-10
Inserting the Second Component	15-11
Apply Assembly Mates	15-12
Apply a Mate Using a Context Toolbar	15-13
Constrained Move	15-14
Placing the Third Component Using a Mate Reference	15-14
Assemble the CS-Rod Part	15-15
Inserting a Pin from the SOLIDWORKS Toolbox	15-16
Assemble the CS-Slider Part	15-18
Adding an Angle Mate	15-20
Collision Detection	15-21
Editing the CS-Slider Part in the Assembly	15-23
Basic Motion Analysis	15-24
Questions	15-26
Exercises	15-27

## **Chapter 16**

### **Design Analysis with SimulationXpress**

Introduction	16-3
The SimulationXpress Wizard Interface	16-4
Problem Statement	16-5
Preliminary Analysis	16-5
SOLIDWORKS SimulationXpress Study of the Flat Plate	16-7
Getting Started – Create the SOLIDWORKS Part	16-7
Create a SimulationXpress Study	16-9
Viewing SimulationXpress Results	16-12
Creating a Report and an eDrawings File	16-17
Accuracy of Results	16-18
Closing SimulationXpress and Saving Results	16-20
Questions	16-21
Exercises	16-22

## **Chapter 17**

### **CSWA Exam Preparation**

Tips about Taking the Certified SOLIDWORKS Associate Examination	17-3
Introduction	17-4
The Part Problem	17-5
Strategy for Aligning the Part to the Default Axis System	17-6
Creating the Base Feature	17-6
Creating a New View Orientation	17-8
Completing the Part	17-10
Selecting the Material and Viewing the Mass Properties	17-16
The Assembly Problem	17-19
Creating the Parts	17-20
Creating the Assembly	17-21
Creating a Reference Coordinate System	17-27
View the Mass Properties	17-29
Questions	17-32
Exercises	17-33

## **Appendix**

### **Index**