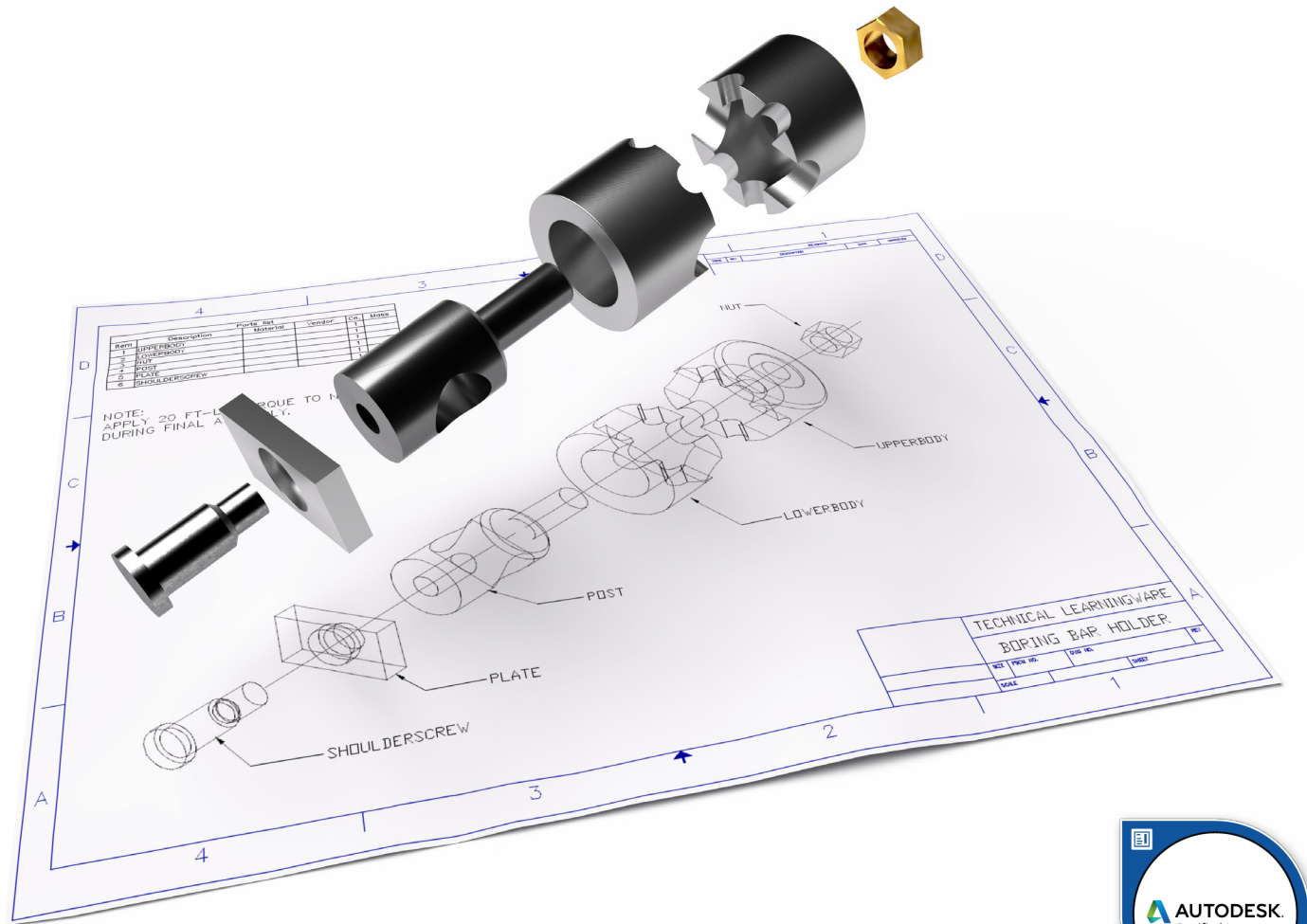


Autodesk®

AutoCAD® 2021 Fundamentals



Visit the following websites to learn more about this book:



[amazon.com](https://www.amazon.com)

[Google books](https://books.google.com)

[BARNES & NOBLE](https://www.barnesandnoble.com)

Table of Contents

Preface	i
Acknowledgements	i
About the Author	ii
Lesson 1.0:	
The AutoCAD Environments	
Exercise 1-1: Workspace	1-4
Exercise 1-2: Using the Mouse	1-10
Exercise 1-3: Start Page	1-29
Exercise 1-4: Dynamic Input	1-33
Exercise 1-5: Create a Profile	1-37
Exercise 1-6: Export a Profile	1-41
<i>Review Questions</i>	1-43
Lesson 2.0:	
View Commands	
Exercise 2-1: Real Time Zoom	2-8
Exercise 2-2: Zoom	2-10
Exercise 2-3: Modifying the View Ribbon	2-12
Exercise 2-4: Saving Named Views	2-16
Exercise 2-5: Multiple Viewports	2-22
Exercise 2-6: Viewing Drawings	2-28
Exercise 2-7: View Commands	2-29

Review Questions 2-30

Lesson 3

Drawing Lines

Exercise 3-1: Line using Direct Distane Method	3-6
Exercise 3-2: Parametric Constraints	3-13
Exercise 3-3: Line Using Polar Tracking	3-20
Exercise 3-4: Line Using Cartesian Coordinates	3-26
Exercise 3-5: Absolute Coordinates	3-28
Exercise 3-6: Relative Coordinates	3-30
Exercise 3-7: Polar Coordinates	3-33
Exercise 3-8: Drag Method	3-35
Exercise 3-9: Erase	3-37
<i>Review Questions</i>	3-39

Lesson 4

Draw Commands

Exercise 4-1: Polyline	4-7
Exercise 4-2: Polyline	4-10
Exercise 4-3: Polygon	4-13
Exercise 4-4: Rectangle	4-18
Exercise 4-5: Arc	4-22
Exercise 4-6: Circle	4-30

Exercise 4-7: Spline	4-37
Exercise 4-8: Ellipse	4-40
Exercise 4-9: Add Selected	4-45
Exercise 4-10: Standard Bracket	4-49
Exercise 4-11: Plate	4-50
Exercise 4-12: Simple House	4-51
Exercise 4-13: Hatch	4-53
Exercise 4-14: HPLAYER	4-55
Exercise 4-15: HPLAYER Reprised	4-58
<i>Review Questions</i>	4-60
 Lesson 5 Modify Commands	
Exercise 5-1: Copy	5-3
Exercise 5-2: Copy Multiple	5-5
Exercise 5-3: Mirror	5-7
Exercise 5-4: Mirror Text	5-9
Exercise 5-5: Offset	5-12
Exercise 5-6: Rectangular Array	5-15
Exercise 5-7: Rectangular Array at an Angle	5-17
Exercise 5-8: Polar Array	5-19

Exercise 5-9: Path Array	5-21
Exercise 5-10: Associative Array	5-23
Exercise 5-11: Move	5-27
Exercise 5-12: Rotate	5-30
Exercise 5-13: Rotate and Copy	5-32
Exercise 5-14: Rotate using Reference	5-34
Exercise 5-15: Scale	5-37
Exercise 5-16: Scale Using Reference	5-39
Exercise 5-17: Stretch	5-43
Exercise 5-18: Trim	5-46
Exercise 5-19: Extend	5-51
Exercise 5-20: Fillet	5-54
Exercise 5-21: Fillet a Polyline	5-56
Exercise 5-22: Chamfer	5-59
Exercise 5-23: Blend	5-62
Exercise 5-24: Undo and Redo	5-66
Exercise 5-25: Modify Command Review	5-67
Exercise 5-26: Modify Command Review 2	5-68
<i>Review Questions</i>	5-69

Lesson 6.0

Selecting Objects

Exercise 6-1: Selecting Objects	6-5
Exercise 6-2: Selecting Objects Using Properties	6-8
Exercise 6-3: Selecting Objects Using Properties	6-10
Exercise 6-4: Quick Select	6-14
Exercise 6-5: Customize Quick Properties	6-17
Exercise 6-6: Quick Properties	6-21
Exercise 6-7: Selection Cycling	6-24
<i>Review Questions</i>	6-26

Lesson 7

Object Properties

Exercise 7-1: Layer Control	7-5
Exercise 7-2: Drawing on Layers	7-17
Exercise 7-3: Creating Layers	7-23
Exercise 7-4: Rename Layers	7-26
Exercise 7-5: Identifying Layers	7-31
Exercise 7-6: Using the Layer Translator	7-33
Exercise 7-7: Using the Layer Translator with a CAD Standards drawing	7-37
Exercise 7-8: Using LAYWALK	7-42
Exercise 7-9: Match Properties	7-45

Exercise 7-10: Create a Group Layer Filter	7-49
Exercise 7-11: Create a Properties Layer Filter	7-53
Exercise 7-12: Save a Layer State	7-59
Exercise 7-13: Apply a Layer State to a Layout	7-62
Exercise 7-14: Publish Layouts with Layer States	7-66
Exercise 7-15: Change Properties	7-71
Exercise 7-16: Change Properties (Reprised)	7-74
Exercise 7-17: Organize a Drawing	7-77
Exercise 7-18: Organize a Drawing (Reprised)	7-78
<i>Review Questions</i>	7-79

Lesson 8.0
Drafting Settings and Object Snaps

Exercise 8-1: Drafting Settings	8-5
Exercise 8-2: Polar Snap	8-10
Exercise 8-3 Object Snap	8-16
Exercise 8-4 Object Snap (Reprised)	8-21
Exercise 8-5 Running Object Snap	8-26
Exercise 8-6 Auto Tracking	8-34
Exercise 8-7 Geometric Center OSNAP	8-40
Exercise 8-8 Drawing Layout	8-45

Exercise 8-9	8-48
Drawing Layout	
Exercise 8-10	8-51
Plate	
Exercise 8-11:	8-52
Clamp	
<i>Review Questions</i>	8-54
Lesson 9.0	
Dimensions	
Exercise 9-1:	9-7
Linear and Aligned Dimensions	
Exercise 9-2:	9-12
Continuous and Baseline Dimensions	
Exercise 9-3:	9-16
Angular, Radius, and Diameter Dimensions	
Exercise 9-4:	9-22
Centerline Annotations	
Exercise 9-5:	9-26
Quick Dimensions - Continuous	
Exercise 9-6:	9-28
Quick Dimensions - Staggered	
Exercise 9-7:	9-31
Quick Dimensions - Baseline	
Exercise 9-8:	9-33
Quick Dimensions - Ordinate	
Exercise 9-9:	9-35
Quick Dimensions - Edit	
Exercise 9-10:	9-38
Automatic Dimensions	
Exercise 9-11:	9-43
OrdinateDimensions	
Exercise 9-12:	9-46
Dimension Space	
Exercise 9-13:	9-49
Dimension Break	
Exercise 9-14:	9-58
Dimension Styles	

Exercise 9-15: Architectural Dimension Style	9-65
Exercise 9-16: Architectural Dimensions	9-67
Exercise 9-17: Edit Dimensions	9-74
Exercise 9-18: Edit Dimension Text	9-77
Exercise 9-19: Edit Dimensions Using Grips	9-79
Exercise 9-20: Edit Dimension Using Stretch	9-82
Exercise 9-21: Dimension a Drawing	9-85
Exercise 9-22: Dimension a Drawing	9-86
Exercise 9-23: Create a Floor Plan	9-87
<i>Review Questions</i>	9-88

Lesson 10.0
Text Tools

Exercise 10-1: Single Line Text	10-5
Exercise 10-2: Single Line Text Options	10-7
Exercise 10-3: Multiline Text	10-16
Exercise 10-4: Formatting Multiline Text	10-18
Exercise 10-5: Defining Text Styles	10-25
Exercise 10-6: Define an Architectural Text Style	10-28
Exercise 10-7: Edit Text	10-32
Exercise 10-8: Modify Text Properties	10-33

Exercise 10-9: ModifyText Using Grips	10-35
Exercise 10-10: Adding Fields to Objects	10-38
Exercise 10-11: Creating a Table	10-43
Exercise 10-12: Extracting a Table	10-45
Exercise 10-13: Exporting a Table	10-50
Exercise 10-14: Adding Blocks to a Table	10-52
<i>Review Questions</i>	10-54
Lesson 11.0 Blocks and Templates	
Exercise 11-1: Define Attribute	11-7
Exercise 11-2: Inserting a Title Block	11-28
Exercise 11-3: Create a Template	11-32
Exercise 11-4: Use a Template	11-38
Exercise 11-5: Create a Block	11-44
Exercise 11-6: Create an AEC Block	11-52
Exercise 11-7: Creating a Circuit Diagram	11-58
Exercise 11-8: Copy Text Styles Using Design Center	11-76
Exercise 11-9: Modify a Block	11-78
<i>Review Questions</i>	11-81
Lesson 12.0 Viewports and Layouts	

Exercise 12-1: Create a New Layout	12-4
Exercise 12-2: Add a Viewport	12-8
Exercise 12-3: Insert View	12-13
Exercise 12-4: Rotate a Viewport	12-18
Exercise 12-5: Viewport Properties	12-21
Exercise 12-6: Nonrectangular Viewport	12-24
Exercise 12-7: Control Viewport Layer Properties	12-31
Exercise 12-8: Layout Setup	12-43
<i>Review Questions</i>	12-45

Lesson 13.0

Utility Commands

Exercise 13-1: Area	13-3
Exercise 13-2: Quick Measure	13-7
Exercise 13-3: Distance	13-10
Exercise 13-4: Find and Replace	13-14
Exercise 13-5: Spell Check	13-18
Exercise 13-6: Purge Text Styles	13-22
Exercise 13-7: PDF Import	13-26
<i>Review Questions</i>	13-28