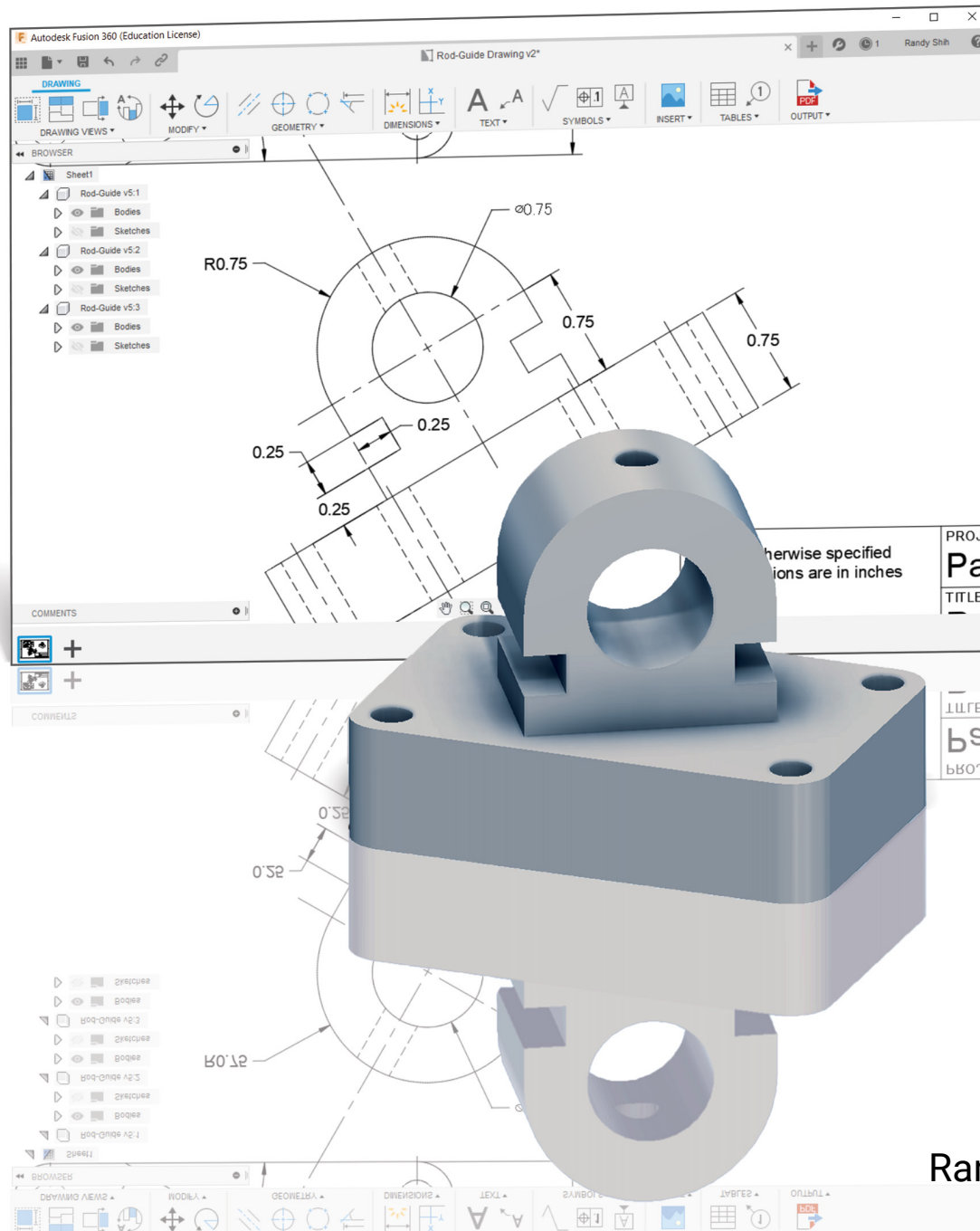


Parametric Modeling with Autodesk® Fusion 360™

Spring 2020 Edition



Randy H. Shih

Visit the following websites to learn more about this book:



[amazon.com](https://www.amazon.com)

[Google books](https://books.google.com)

[BARNES & NOBLE](https://www.barnesandnoble.com)

Table of Contents

Preface	i
Acknowledgments	ii
Table of Contents	iii
Chapter 1	
Introduction - Getting Started	
Introduction	1-2
Development of Computer Geometric Modeling	1-2
Feature-Based Parametric Modeling	1-6
Getting Started with Autodesk Fusion 360	1-7
The Autodesk Fusion 360 Screen Layout	1-8
Quick Access Toolbar	1-9
Ribbon Tool Panels	1-9
Display Control Panel	1-9
View Cube	1-9
Comments Panel	1-9
Mouse Buttons	1-10
[Esc] - Canceling Commands	1-10
Autodesk Fusion 360 Help System	1-11
Autodesk Fusion 360 Data Management	1-12
Chapter 2	
Parametric Modeling Fundamentals	
Introduction	2-2
The Adjuster Design	2-3
Starting Autodesk Fusion 360	2-3
The Autodesk Fusion 360 Screen Layout	2-4
Units Setup	2-5
Sketch Plane – It is an XY Monitor, but an XYZ World	2-6
Creating Rough Sketches	2-8
Step 1: Creating a Rough Sketch	2-9
Graphics Cursors	2-9
Geometric Constraint Symbols	2-10
Step 2: Apply/Modify Constraints and Dimensions	2-11
Dynamic Viewing Functions – Zoom and Pan	2-14
Modifying the Dimensions of the Sketch	2-14
Step 3: Completing the Base Solid Feature	2-15
Dynamic Rotation of the 3D Object - Free Orbit	2-17
Dynamic Viewing - Quick Keys	2-19
Viewing Tools – Display Control Bar and View Cube	2-20

Display Modes	2-22
Orthographic vs. Perspective	2-22
Step 4-1: Adding an Extruded Feature	2-23
Step 4-2: Adding a Cut Feature	2-27
Step 4-3: Adding another Cut Feature	2-30
Save the Model	2-34
Review Questions	2-35
Exercises	2-36

Chapter 3

Constructive Solid Geometry Concepts

Introduction	3-2
Binary Tree	3-3
The Locator Design	3-4
Modeling Strategy - CSG Binary Tree	3-5
Starting Autodesk Fusion 360	3-6
Model Dimensions Format	3-7
Base Feature	3-8
Modify existing Dimensions	3-11
Reposition Dimensions	3-11
Using the Measure Tool	3-12
Completing the Base Solid Feature	3-14
Creating the Next Solid Feature	3-15
Creating a CUT Feature	3-19
Creating a Placed Feature	3-22
Creating a Rectangular Cut Feature	3-24
Save the Model	3-26
Review Questions	3-27
Exercises	3-28

Chapter 4

Model History Tree

Introduction	4-2
The Saddle Bracket Design	4-3
Starting Autodesk Fusion 360	4-3
Modeling Strategy	4-4
The Autodesk Fusion 360 Browser and Timeline Control	4-5
Create the Base Feature	4-5
Create the Second Solid Feature	4-8
Create a 2D Sketch	4-9
Renaming the Part Features	4-11
History Based Modifications to the model	4-12
Adding a Placed Feature	4-13

Create a Rectangular Cut Feature	4-14
A Design Change - Edit the 2D sketches	4-16
Edit the Sketch through the Timeline Control	4-18
Direct Part Modifications	4-19
Assigning and Calculating the Associated Physical Properties	4-21
Review Questions	4-23
Exercises	4-24

Chapter 5

Parametric Constraints Fundamentals

CONSTRAINTS and RELATIONS	5-2
Create a Simple Triangular Plate Design	5-2
Fully Constrained Geometry	5-3
Starting Autodesk Fusion 360	5-3
Display and Hide Existing Constraints	5-4
Autodesk Fusion 360 Geometric Constraints	5-5
Over-Constraining and Driven Dimensions	5-9
Delete Existing Constraints	5-10
Add the Location Dimensions	5-11
Parametric Relations	5-16
Dimensional Values and Dimensional Variables	5-19
Parametric Equations	5-20
Viewing the Established Parameters and Relations	5-21
Use the Measure Tools	5-23
Review Questions	5-26
Exercises	5-27

Chapter 6

Geometric Construction Tools

Introduction	6-2
The Gasket Design	6-2
Modeling Strategy	6-3
Starting Autodesk Fusion 360	6-4
Create the first 2D Sketch	6-5
Edit the Sketch by Dragging the Sketched Entities	6-8
Adding Dimensions and Constraints	6-9
Use the Trim and Extend Commands	6-10
Create Fillets and Completing the Sketch	6-12
Fully Constrained Geometry	6-13
Profile Sketch	6-14
Redefine the Sketch and Profile	6-15
Create an Offset Cut Feature	6-18
Review Questions	6-22

Exercises	6-23
-----------	------

Chapter 7

Parent/Child Relationships and the BORN Technique

Introduction	7-2
The BORN Technique	7-2
The U-Bracket Design	7-3
Apply the BORN Technique	7-4
Create the 2D Sketch for the Base Feature	7-6
Create the First Extrude Feature	7-9
The Implied Parent/Child Relationships	7-10
Create the Second Solid Feature	7-10
Create the Rectangular Cut Feature	7-14
The Second Cut Feature	7-15
Examine the Parent/Child Relationships	7-17
Modify a Parent Dimension	7-18
A Design Change	7-19
Feature Suppression	7-20
A Different Approach to the Center_Drill Feature	7-21
Suppress the Rect_Cut Feature	7-23
Create a Circular_Cut Feature	7-24
A Flexible Design Approach	7-26
View and Edit Material Properties	7-27
Predefined keyboard and mouse shortcuts in Fusion360	7-29
Review Questions	7-30
Exercises	7-31

Chapter 8

Part Drawings and Associative Functionality

Drawings from Parts and Associative Functionality	8-2
Starting Autodesk Fusion 360	8-3
Drawing Mode - 2D Paper Space	8-3
Add a Base View	8-5
Create Projected Views	8-6
Adjust the View Scale	8-7
Repositioning Views	8-7
Add and adjust Center Marks	8-8
Add and adjust Centerline Bisectors	8-10
Dimensioning the Drawing	8-11
Repositioning Dimensions and 2D views	8-13
Drawing Dimensions Format	8-14
Complete the Drawing Sheet	8-15
Associative Functionality – Modifying Feature Dimensions	8-16

Review Questions	8-20
Exercises	8-21

Chapter 9

Datum Features and Auxiliary Views

Work Features	9-2
Auxiliary Views in 2D Drawings	9-2
The Rod-Guide Design	9-2
Modeling Strategy	9-3
Starting Autodesk Fusion 360	9-4
Creating the Base Feature	9-4
Create an Angled Work Plane	9-7
Create a 2D Sketch on the Work Plane	9-8
Use the Projected Geometry Option	9-8
Complete the Solid Feature	9-12
Create an Offset Work Plane	9-13
Create another Cut Feature Using the Work Plane	9-14
Start a New 2D Drawing	9-16
Add a Base View	9-17
Create an Auxiliary View	9-18
Adjust the View Scale	9-23
Aligning the top View and the Auxiliary View	9-24
Add Dimensions	9-26
Complete the Drawing Sheet	9-27
Review Questions	9-29
Exercises	9-30

Chapter 10

Introduction to 3D Printing

What is 3D Printing?	10-2
Development of 3D Printing Technologies	10-3
Primary Types of 3D Printing Processes	10-6
Stereolithography	10-6
Fused Deposition Modeling & Fused Filament Fabrication	10-7
Laser Sintering / Laser Melting	10-8
Primary 3D Printing Materials for FDM and FFF	10-9
From 3D Model to 3D Printed Part	10-11
Starting Autodesk Fusion 360	10-12
Export the Design as an STL file	10-13
Using the 3D Printing software to create the 3D Print	10-16
Review Questions	10-24

Chapter 11

Symmetrical Features in Designs

Introduction	11-2
A Revolved Design: PULLEY	11-2
Modeling Strategy - A Revolved Design	11-3
Starting Autodesk Fusion 360	11-4
Creating the Base Feature	11-4
Create the Revolved Feature	11-8
Mirroring Features	11-9
Create a Pattern Leader Using Construction Geometry	11-12
Circular Pattern	11-18
Start a New 2D Drawing	11-20
Add a Base View	11-21
Create a Section View	11-22
Create an Isometric View	11-24
Add Center Mark on Patterned feature	11-25
Complete the Drawing Sheet	11-26
Review Questions	11-28
Exercises	11-29

Chapter 12

Advanced 3D Construction Tools

Introduction	12-2
A Thin-Walled Design: Dryer Housing	12-2
Modeling Strategy	12-3
Starting Autodesk Fusion 360	12-4
Creating the Base Feature	12-4
Create a Revolved Feature	12-7
Create Offset Work Planes	12-8
Start 2D Sketches on the Work Planes	12-9
Create a Lofted Feature	12-12
Create an Extruded Feature	12-14
Complete the Extruded Feature	12-16
Create 3D Rounds and Fillets	12-17
Create a Shell Feature	12-18
Create a Pattern Leader	12-19
Create a Rectangular Pattern	12-22
Create a Swept Feature	12-24
Define a Sweep Path	12-24
Define the Sweep Section	12-26
Complete the Swept Feature	12-27
Review Questions	12-29
Exercises	12-30

Chapter 13

Assembly Modeling - Joint & Animation

Introduction	13-2
The Crank and Slider Assembly	13-2
Assembly Modeling Methodology	13-3
Autodesk Fusion 360 Bodies and Components	13-4
The Assembly Joint Command	13-4
The Autodesk Fusion 360 Joint Origin	13-8
Joint Creation order – “Put This, There.”	13-8
Starting Autodesk Fusion 360	13-9
Creating the Base Feature	13-9
Convert the first Body to the CS-Base Component	13-13
Create the next Component	13-14
Create the CS-Rod Component	13-16
Create the CS-Slider Component	13-17
Assemble the First Component	13-19
Assemble the Second Component	13-21
Constrained Move	13-24
Assemble the CS-Rod Component	13-24
Assemble the CS-Slider Component	13-27
Apply another Joint Connection	13-30
Animate the Assembly Model	13-32
Review Questions	13-33
Exercises	13-34

Index