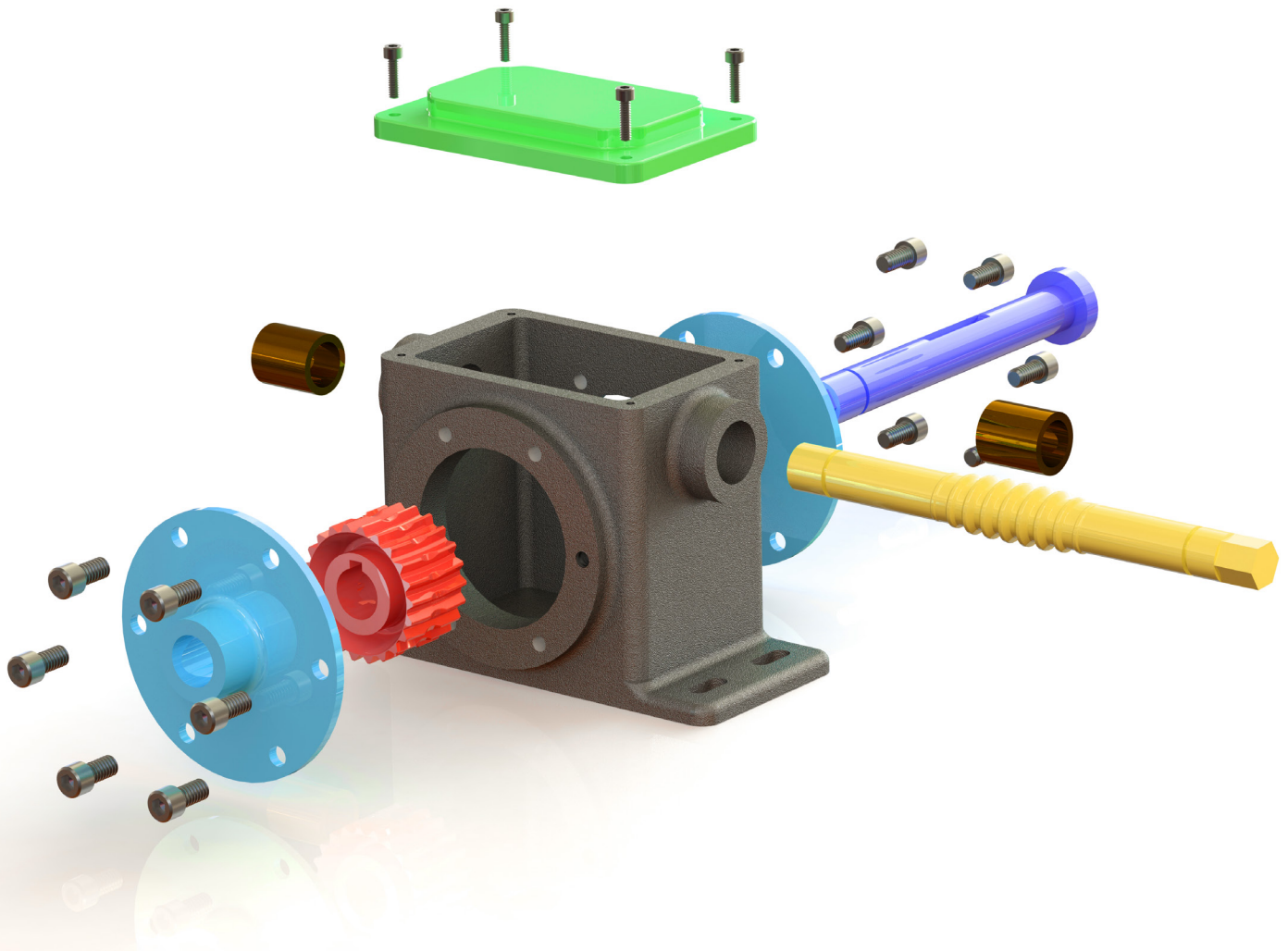


Beginner's Guide to SOLIDWORKS® 2021

Level I

Parts, Assemblies, Drawings, PhotoView 360,
SimulationXpress and CSWA Preparation



Alejandro Reyes MSME, CSWE, CSWI

Visit the following websites to learn more about this book:



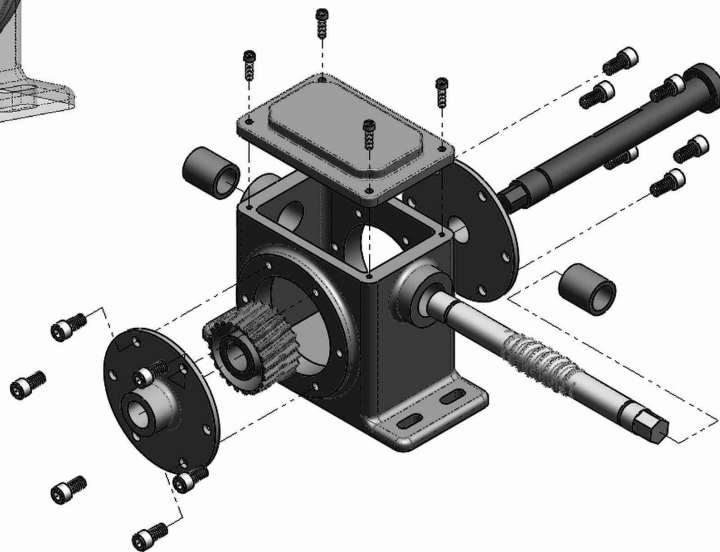
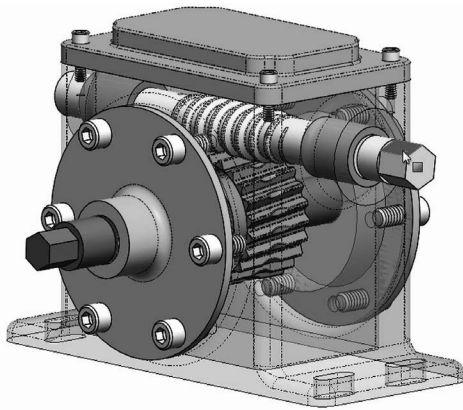
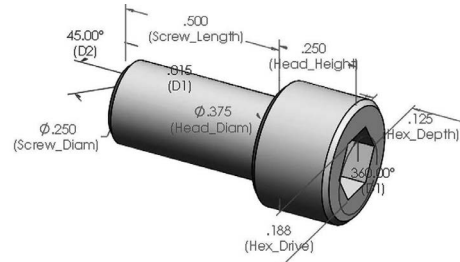
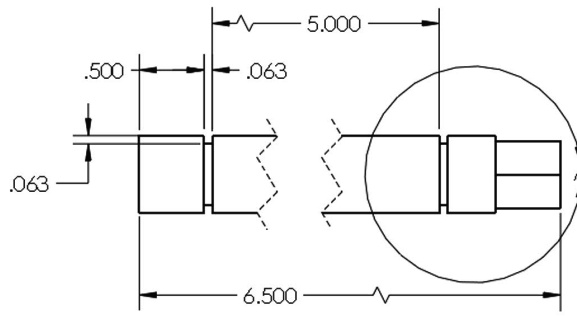
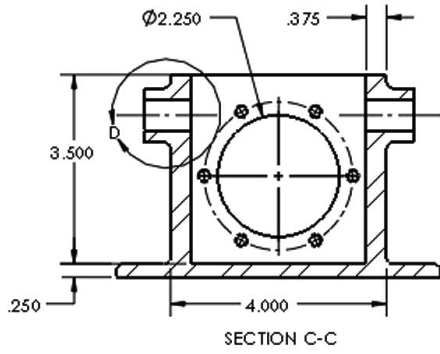
[amazon.com](https://www.amazon.com)

[Google books](https://books.google.com)

[BARNES & NOBLE](https://www.barnesandnoble.com)

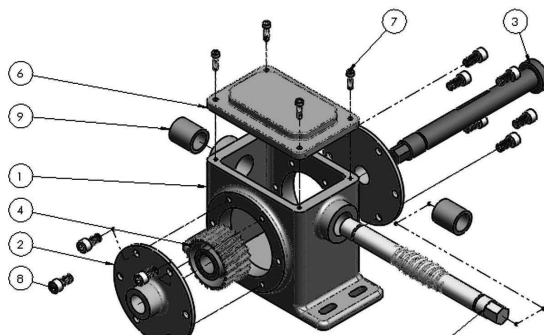
Table of Contents

Introduction.....	1
Chapter 1: The SOLIDWORKS Interface.....	3
Chapter 2: Part Modeling.....	21
The Housing	23
The Side Cover.....	111
The Top Cover.....	129
The Offset Shaft.....	161
Auxiliary Geometry.....	183
The Worm Gear	199
The Worm Gear Shaft.....	225
Chapter 3: Special Features: Sweep, Loft and Wrap.....	239
Sweep: Cup and Springs	241
The Cup.....	243
Simple Spring	257
Variable Pitch Spring	263
Thread Feature.....	267
Sweep: Bottle.....	273
Loft: Bottle	289
Wrap Feature.....	301
Worm Gear Shaft Complete.....	317
Worm Gear Complete.....	327

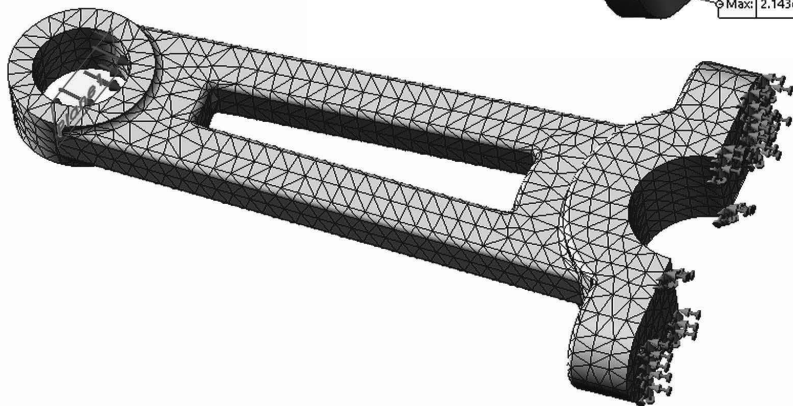
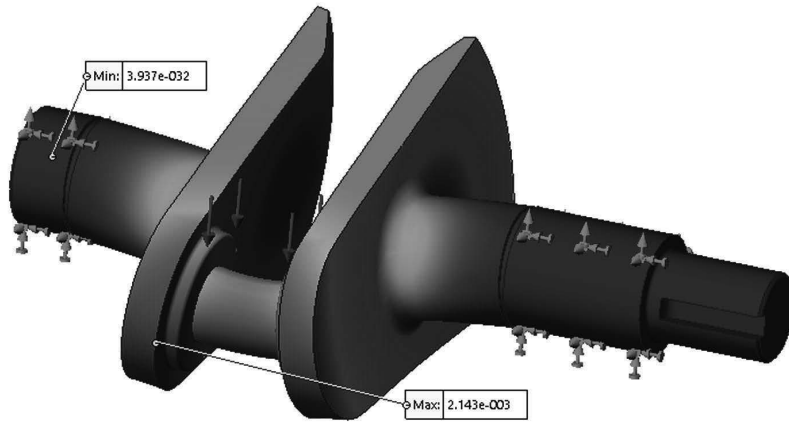
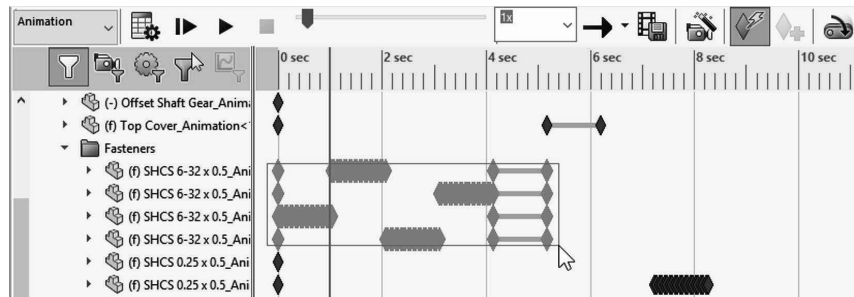
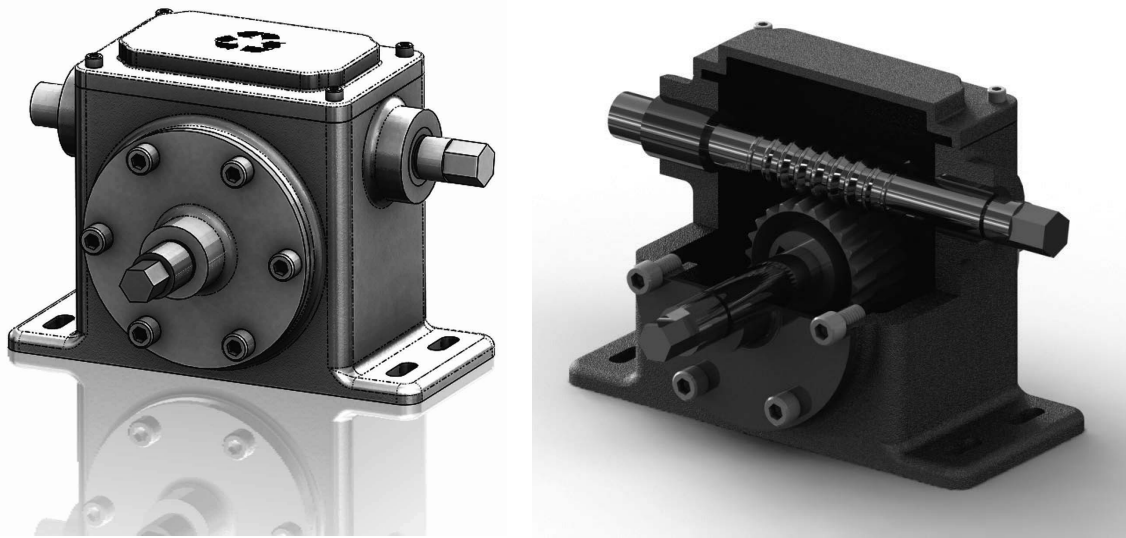


- ANSI Inch
- > Bearings
- ✓ Bolts and Screws
 - Countersunk Head
 - Hex Head
 - Lag Screws
 - Machine Screws
 - Machine Screws (Countersunk)
 - Miniature Screws
 - Miscellaneous
 - Round Head Bolts

Part No.	Description	Material	Quantity	Weight
1	Housing	Cast P/N 1234-B	1	Cast Alloy Steel 4.40
2	Side Cover	Cast Cover #345	2	AlSi1020 0.36
3	Worm Gear Shaft	Shaft with Hex Drive	1	Chrome Stainless Steel 0.52
4	Worm Gear Complete	Part No. ABC-246B	1	AlSi1020 0.33
5	Offset Shaft Gear	Part No. QCS2345	1	Chrome Stainless Steel 0.49
6	Top Cover	Cast # 9876	1	Cast Alloy Steel 0.48
7	HX-SHCS 0.138-32x0.5x0.5-S		4	
8	HX-SHCS 0.25-20x0.5x0.5-S		12	
9	Bushing	Part No. 5384-BC	2	Brass 0.057



Chapter 4: Detail Drawing	347
Drawing One: The Housing.....	349
Drawing Two: The Side Cover	397
Drawing Three: The Top Cover.....	423
Drawing Four: The Offset Shaft	443
Drawing Five: The Worm Gear	451
Drawing Six: The Worm Gear Shaft.....	469
Chapter 5: Assembly Modeling	491
The Speed Reducer Assembly	493
SmartMates	527
Fasteners.....	545
Configurations using Design Tables.....	557
Interference Detection.....	575
Assembly Configurations	579
Exploded View	603
Chapter 6: Assembly and Design Table Drawings	631
Assembly Drawing	633
Design Table Drawing.....	655



Chapter 7: Animation and Rendering	663
PhotoView 360.....	665
Animation.....	687
Chapter 8: Analysis: SimulationXpress.....	717
Background: Why Analysis?	719
Engine's Connecting Rod Analysis	723
A final word on analysis	747
CSWA: Certified SOLIDWORKS Associate Practice Test	751
Collaboration: eDrawings	763
Final Comments.....	767
Appendix	769
Document templates.....	769
Index	775