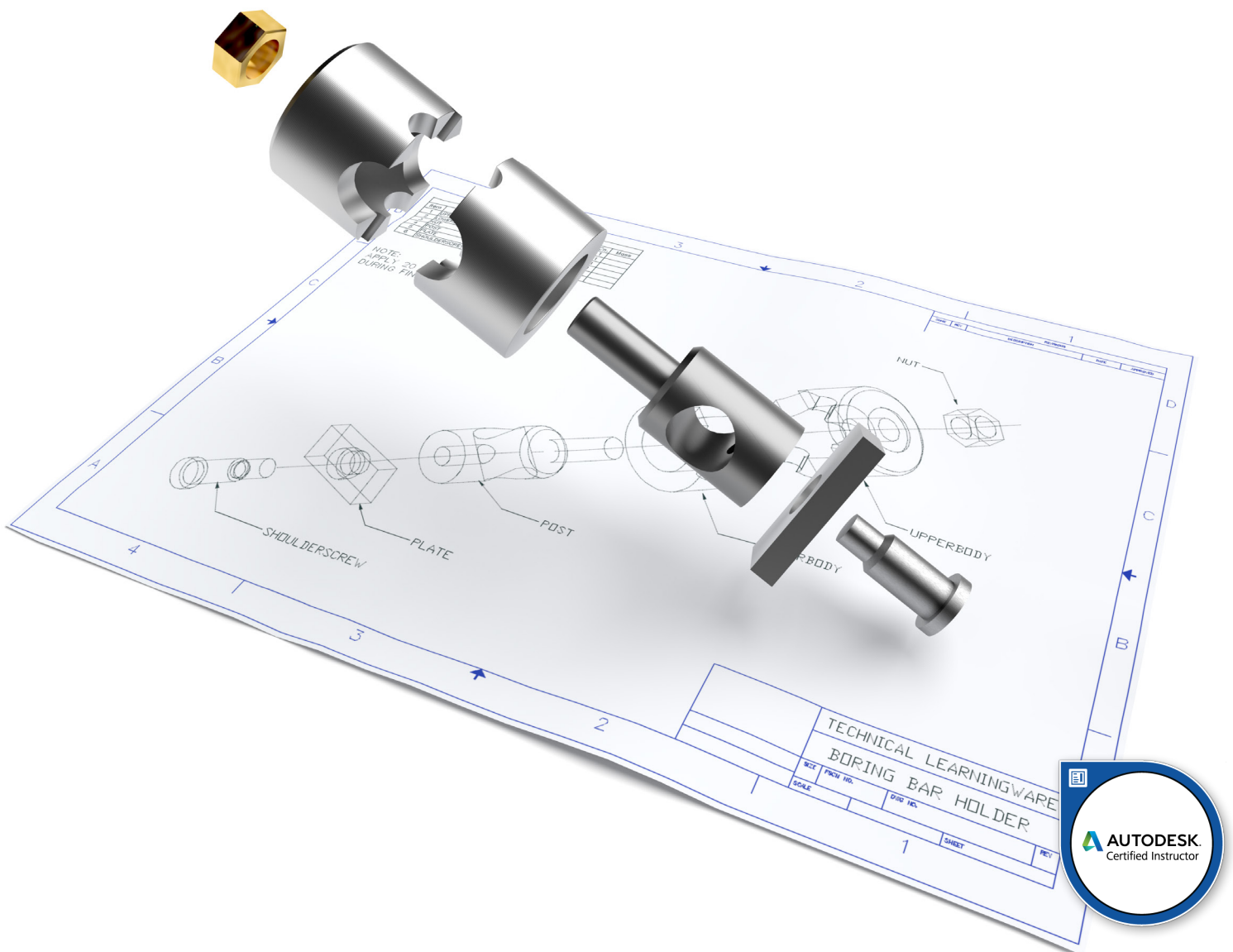


ELISE MOSS
Autodesk Certified Instructor

Autodesk®

AutoCAD® 2022 Fundamentals



Visit the following websites to learn more about this book:



[amazon.com](https://www.amazon.com)

[Google books](https://books.google.com)

[BARNES & NOBLE](https://www.barnesandnoble.com)

Table of Contents

| | |
|--------------------------------------------|------|
| Preface | i |
| Acknowledgements | i |
| About the Author | ii |
| Lesson 1.0: | |
| The AutoCAD Environments | |
| Exercise 1-1: Workspace | 1-4 |
| Exercise 1-2: Using the Mouse | 1-10 |
| Exercise 1-3: Start Page | 1-29 |
| Exercise 1-4: Dynamic Input | 1-33 |
| Exercise 1-5: Create a Profile | 1-37 |
| Exercise 1-6: Export a Profile | 1-41 |
| <i>Review Questions</i> | 1-43 |
| Lesson 2.0: | |
| View Commands | |
| Exercise 2-1: Real Time Zoom | 2-7 |
| Exercise 2-2: Zoom | 2-10 |
| Exercise 2-3: Modifying the View Ribbon | 2-12 |
| Exercise 2-4: Saving Named Views | 2-16 |
| Exercise 2-5: Multiple Viewports | 2-22 |
| Exercise 2-6: Viewing Drawings | 2-28 |
| Exercise 2-7: View Commands | 2-29 |

Review Questions 2-30

Lesson 3.0

Drawing Lines

| | |
|----------------------------------------------------|------|
| Exercise 3-1: Line using Direct Distance Method | 3-7 |
| Exercise 3-2: Parametric Constraints | 3-14 |
| Exercise 3-3: Line Using Polar Tracking | 3-21 |
| Exercise 3-4: Line Using Cartesian Coordinates | 3-27 |
| Exercise 3-5: Absolute Coordinates | 3-29 |
| Exercise 3-6: Relative Coordinates | 3-31 |
| Exercise 3-7: Polar Coordinates | 3-34 |
| Exercise 3-8: Drag Method | 3-36 |
| Exercise 3-9: Erase | 3-38 |
| <i>Review Questions</i> | 3-39 |

Lesson 4.0

Draw Commands

| | |
|----------------------------|------|
| Exercise 4-1: Polyline | 4-7 |
| Exercise 4-2: Polyline | 4-10 |
| Exercise 4-3: Polygon | 4-13 |
| Exercise 4-4: Rectangle | 4-18 |
| Exercise 4-5: Arc | 4-22 |
| Exercise 4-6: Circle | 4-29 |

| | |
|-------------------------------------------------|------|
| Exercise 4-7: Spline | 4-36 |
| Exercise 4-8: Ellipse | 4-39 |
| Exercise 4-9: Add Selected | 4-44 |
| Exercise 4-10: Standard Bracket | 4-48 |
| Exercise 4-11: Plate | 4-49 |
| Exercise 4-12: Simple House | 4-50 |
| Exercise 4-13: Hatch | 4-52 |
| Exercise 4-14: HPLAYER | 4-54 |
| Exercise 4-15: HPLAYER Reprised | 4-57 |
| <i>Review Questions</i> | 4-60 |
| Lesson 5.0 Modify Commands | |
| Exercise 5-1: Copy | 5-3 |
| Exercise 5-2: Copy Multiple | 5-5 |
| Exercise 5-3: Mirror | 5-7 |
| Exercise 5-4: Mirror Text | 5-9 |
| Exercise 5-5: Offset | 5-12 |
| Exercise 5-6: Rectangular Array | 5-15 |
| Exercise 5-7: Rectangular Array at an Angle | 5-17 |
| Exercise 5-8: Polar Array | 5-19 |

| | |
|--------------------------------------------|------|
| Exercise 5-9: Path Array | 5-21 |
| Exercise 5-10: Associative Array | 5-23 |
| Exercise 5-11: Move | 5-27 |
| Exercise 5-12: Rotate | 5-30 |
| Exercise 5-13: Rotate and Copy | 5-32 |
| Exercise 5-14: Rotate using Reference | 5-34 |
| Exercise 5-15: Scale | 5-37 |
| Exercise 5-16: Scale Using Reference | 5-39 |
| Exercise 5-17: Stretch | 5-43 |
| Exercise 5-18: Trim | 5-46 |
| Exercise 5-19: Extend | 5-51 |
| Exercise 5-20: Fillet | 5-54 |
| Exercise 5-21: Fillet a Polyline | 5-56 |
| Exercise 5-22: Chamfer | 5-59 |
| Exercise 5-23: Blend | 5-62 |
| Exercise 5-24: Undo and Redo | 5-66 |
| Exercise 5-25: Modify Commands Review | 5-67 |
| Exercise 5-26: Modify Commands Review 2 | 5-68 |
| <i>Review Questions</i> | 5-69 |

Lesson 6.0

Selecting Objects

| | |
|-----------------------------------------------------|------|
| Exercise 6-1: Selecting Objects | 6-5 |
| Exercise 6-2: Selecting Objects Using Properties | 6-8 |
| Exercise 6-3: Selecting Objects Using Properties | 6-10 |
| Exercise 6-4: Quick Select | 6-14 |
| Exercise 6-5: Customize Quick Properties | 6-17 |
| Exercise 6-6: Quick Properties | 6-21 |
| Exercise 6-7: Selection Cycling | 6-24 |
| <i>Review Questions</i> | 6-26 |

Lesson 7.0

Object Properties

| | |
|-----------------------------------------------------------------------------|------|
| Exercise 7-1: Layer Control | 7-5 |
| Exercise 7-2: Drawing on Layers | 7-17 |
| Exercise 7-3: Creating Layers | 7-23 |
| Exercise 7-4: Rename Layers | 7-26 |
| Exercise 7-5: Identifying Layers | 7-31 |
| Exercise 7-6: Using the Layer Translator | 7-33 |
| Exercise 7-7: Using the Layer Translator with a CAD Standards drawing | 7-37 |
| Exercise 7-8: Using LAYWALK | 7-42 |
| Exercise 7-9: Match Properties | 7-45 |

| | |
|-----------------------------------------------------|------|
| Exercise 7-10: Create a Group Layer Filter | 7-48 |
| Exercise 7-11: Create a Properties Layer Filter | 7-52 |
| Exercise 7-12: Save a Layer State | 7-58 |
| Exercise 7-13: Apply a Layer State to a Layout | 7-61 |
| Exercise 7-14: Publish Layouts with Layer States | 7-65 |
| Exercise 7-15: Change Properties | 7-69 |
| Exercise 7-16: Change Properties (Reprised) | 7-72 |
| Exercise 7-17: Organize a Drawing | 7-75 |
| Exercise 7-18: Organize a Drawing (Reprised) | 7-76 |
| <i>Review Questions</i> | 7-77 |

Lesson 8.0

Drafting Settings and Object Snaps

| | |
|----------------------------------------|------|
| Exercise 8-1: Drafting Settings | 8-5 |
| Exercise 8-2: Polar Snap | 8-10 |
| Exercise 8-3 Object Snap | 8-16 |
| Exercise 8-4 Object Snap (Reprised) | 8-21 |
| Exercise 8-5 Running Object Snap | 8-26 |
| Exercise 8-6 Auto Tracking | 8-34 |
| Exercise 8-7 Geometric Center OSNAP | 8-40 |
| Exercise 8-8 Drawing Layout | 8-45 |

| | |
|-------------------------------------------------|------|
| Exercise 8-9 | 8-48 |
| Drawing Layout | |
| Exercise 8-10 | 8-51 |
| Plate | |
| Exercise 8-11: | 8-52 |
| Clamp | |
| <i>Review Questions</i> | 8-54 |
| | |
| Lesson 9.0 | |
| Dimensions | |
| Exercise 9-1: | 9-7 |
| Linear and Aligned Dimensions | |
| Exercise 9-2: | 9-11 |
| Continuous and Baseline Dimensions | |
| Exercise 9-3: | 9-15 |
| Angular, Radius, and Diameter Dimensions | |
| Exercise 9-4: | 9-21 |
| Centerline Annotations | |
| Exercise 9-5: | 9-25 |
| Quick Dimensions - Continuous | |
| Exercise 9-6: | 9-27 |
| Quick Dimensions - Staggered | |
| Exercise 9-7: | 9-30 |
| Quick Dimensions - Baseline | |
| Exercise 9-8: | 9-32 |
| Quick Dimensions - Ordinate | |
| Exercise 9-9: | 9-34 |
| Quick Dimensions - Edit | |
| Exercise 9-10: | 9-37 |
| Automatic Dimensions | |
| Exercise 9-11: | 9-42 |
| Ordinate Dimensions | |
| Exercise 9-12: | 9-45 |
| Dimension Space | |
| Exercise 9-13: | 9-48 |
| Dimension Break | |
| Exercise 9-14: | 9-57 |
| Dimension Styles | |

| | |
|-------------------------------------------------|------|
| Exercise 9-15: Architectural Dimension Style | 9-64 |
| Exercise 9-16: Architectural Dimensions | 9-66 |
| Exercise 9-17: Edit Dimensions | 9-72 |
| Exercise 9-18: Edit Dimension Text | 9-75 |
| Exercise 9-19: Edit Dimensions Using Grips | 9-77 |
| Exercise 9-20: Edit Dimension Using Stretch | 9-80 |
| Exercise 9-21: Dimension a Drawing | 9-82 |
| Exercise 9-22: Dimension a Drawing | 9-83 |
| Exercise 9-23: Create a Floor Plan | 9-84 |
| <i>Review Questions</i> | 9-85 |

Lesson 10.0
Text Tools

| | |
|------------------------------------------------------|-------|
| Exercise 10-1: Single Line Text | 10-4 |
| Exercise 10-2: Single Line Text Options | 10-6 |
| Exercise 10-3: Multiline Text | 10-15 |
| Exercise 10-4: Formatting Multiline Text | 10-17 |
| Exercise 10-5: Defining Text Styles | 10-24 |
| Exercise 10-6: Define an Architectural Text Style | 10-27 |
| Exercise 10-7: Edit Text | 10-31 |
| Exercise 10-8: Modify Text Properties | 10-32 |

| | |
|--------------------------------------------------------|-------|
| Exercise 10-9: ModifyText Using Grips | 10-34 |
| Exercise 10-10: Adding Fields to Objects | 10-37 |
| Exercise 10-11: Creating a Table | 10-41 |
| Exercise 10-12: Extracting a Table | 10-44 |
| Exercise 10-13: Exporting a Table | 10-49 |
| Exercise 10-14: Adding Blocks to a Table | 10-51 |
| <i>Review Questions</i> | 10-53 |
| | |
| Lesson 11.0 Blocks and Templates | |
| Exercise 11-1: Define Attribute | 11-7 |
| Exercise 11-2: Inserting a Title Block | 11-28 |
| Exercise 11-3: Create a Template | 11-32 |
| Exercise 11-4: Use a Template | 11-38 |
| Exercise 11-5: Create a Block | 11-44 |
| Exercise 11-6: Create an AEC Block | 11-53 |
| Exercise 11-7: Creating a Circuit Diagram | 11-59 |
| Exercise 11-8: Copy Text Styles Using Design Center | 11-77 |
| Exercise 11-9: Modify a Block | 11-79 |
| <i>Review Questions</i> | 11-82 |
| | |
| Lesson 12.0 Viewports and Layouts | |

| | |
|-----------------------------------------------------|-------|
| Exercise 12-1: Create a New Layout | 12-4 |
| Exercise 12-2: Add a Viewport | 12-8 |
| Exercise 12-3: Insert View | 12-13 |
| Exercise 12-4: Rotate a Viewport | 12-18 |
| Exercise 12-5: Viewport Properties | 12-21 |
| Exercise 12-6: Nonrectangular Viewport | 12-24 |
| Exercise 12-7: Control Viewport Layer Properties | 12-32 |
| Exercise 12-8: Layout Setup | 12-44 |
| <i>Review Questions</i> | 12-46 |

Lesson 13.0

Utility Commands

| | |
|-------------------------------------|-------|
| Exercise 13-1: Area | 13-3 |
| Exercise 13-2: Quick Measure | 13-6 |
| Exercise 13-3: Distance | 13-9 |
| Exercise 13-4: Find and Replace | 13-13 |
| Exercise 13-5: Spell Check | 13-17 |
| Exercise 13-6: Purge Text Styles | 13-21 |
| Exercise 13-7: PDF Import | 13-25 |
| Exercise 13-8: Trace | 13-28 |
| Exercise 13-9: Count | 13-30 |
| <i>Review Questions</i> | 13-31 |