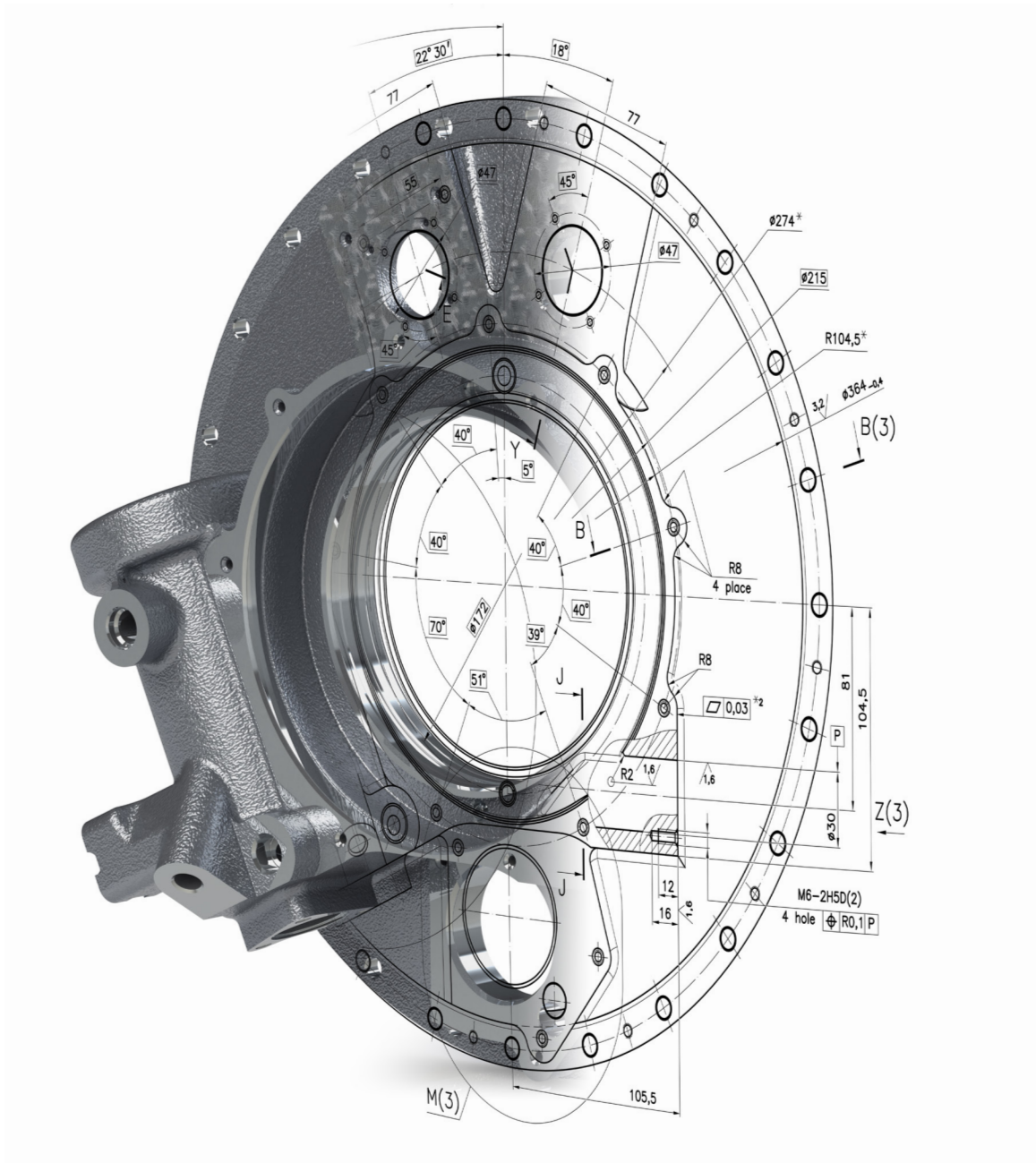


# Engineering Graphics with SOLIDWORKS® 2022

A Step-by-Step Project Based Approach



David C. Planchard, CSWP,  
SOLIDWORKS Accredited Educator

Visit the following websites to learn more about this book:



[amazon.com](https://www.amazon.com)

[Google books](https://books.google.com)

[BARNES & NOBLE](https://www.barnesandnoble.com)

## TABLE OF CONTENTS

<b>Introduction</b>	<b>I-1</b>
About the Author	I-2
Dedication	I-3
Contact the Author	I-4
Note to Instructors	I-4
Trademarks, Disclaimer and Copyrighted Material	I-4
References	I-5
Table of Contents	I-6
Overview of Chapters	I-16
Chapter 1: History of Engineering Graphics	I-16
Chapter 2: Isometric Projection and Multi View Drawings	I-16
Chapter 3: Dimensioning Practices, Scales, Tolerancing and Fasteners	I-17
Chapter 4: Overview of SOLIDWORKS and the User Interface	I-18
Chapter 5: Introduction to SOLIDWORKS Part Modeling	I-18
Chapter 6: Revolved Boss/Base Features	I-19
Chapter 7: Swept, Lofted, Rib, Mirror and Additional Features	I-19
Chapter 8: Assembly Fundamentals - Bottom-up method	I-19
Chapter 9: Fundamentals of Drawing	I-20
Chapter 10: Introduction to the (CSWA) Exam	I-20
Chapter 11: Additive Manufacturing - 3D Printing	I-21
About the Book	I-22
Windows Terminology in SOLIDWORKS	I-23
<b>Chapter 1 - History of Engineering Graphics</b>	<b>I-1</b>
Chapter Overview	I-3
History of Engineering Graphics	I-3
Global and Local Coordinate System	I-6
2-Dimensional Cartesian Coordinate System	I-7
3-Dimensional Cartesian Coordinate System	I-8
Absolute Coordinates	I-10
Relative Coordinates	I-10
Polar Coordinates	I-11
Cylindrical and Spherical Coordinates	I-11
Freehand Sketching	I-12
General Sketching Techniques	I-13
Geometric Entities	I-14
Points	I-14
Lines	I-14
Planes	I-15
Circles	I-15
Arcs	I-16
Solid Primitives	I-16
Alphabet of Lines	I-17
Visible lines	I-17
Hidden lines	I-17
Dimension lines	I-18
Extension lines	I-18

Leader lines	1-19
Break lines	1-20
Centerlines	1-20
Phantom lines	1-21
Section lines	1-21
Cutting Plane lines	1-22
Precedence of Line Types	1-23
Alphabet of Lines Exercises	1-25
Projections in General	1-27
Projection Types	1-29
Parallel Projection	1-29
Perspective Projection	1-29
Orthographic Projection	1-29
Oblique Projection	1-29
Multi-view Projection	1-30
Orient and Select the Front View	1-30
Orthographic Projection (Third Angle)	1-31
Glass Box and Six Principle Orthographic Views	1-32
Height, Width and Depth Dimensions	1-35
Transferring Dimensions	1-35
Sheet Media	1-36
ANSI Standard Sheet Sizes	1-36
Orthographic Projection Exercises	1-37
Planes (Normal, Inclined and Oblique)	1-42
Plane Exercises	1-43
Chapter Summary	1-49
Questions/Exercises	1-51
<b>Chapter 2 - Isometric Projection and Multi View Drawings</b>	<b>2-1</b>
Chapter Overview	2-3
Isometric Projections	2-3
Isometric Sketching	2-5
Circles Drawn in Axonometric View	2-7
Additional Projections	2-9
Oblique Projection	2-9
Arrangement of Views	2-13
Two View Drawing	2-14
One View Drawing	2-16
Drawing - Exercises	2-19
Drawing Views - Advanced	2-21
Section View	2-21
Detail View	2-23
Broken out View	2-24
Break or Broken View	2-25
Crop View	2-26
Auxiliary View	2-27
Exercises	2-27
History of Computer Aided Design (CAD)	2-28
Boolean Operations	2-29
What is SOLIDWORKS?	2-31
Design Intent	2-33

Design Intent in a Sketch	2-33
Design Intent in a Feature	2-34
Design Intent in a Part	2-34
Design Intent in an Assembly	2-35
Design Intent in a Drawing	2-35
Chapter Summary	2-36
Questions/Exercises	2-37
<b>Chapter 3 - Dimensioning Practices, Scales, Tolerancing and Fasteners</b>	<b>3-1</b>
Chapter Overview	3-3
American National Standards Institute (ANSI)	3-3
Dimensioning	3-4
Location Dimension	3-4
Size Dimension	3-4
Measurement - units	3-5
Metric/SI	3-5
English	3-5
Dual Dimensioning	3-6
Scale	3-7
Architect's Scale	3-7
Engineer's Scale	3-7
Linear Encoder	3-7
Linear Scale	3-7
Vernier Scale	3-7
Standards for Dimensioning	3-8
Linear Dimension	3-8
Stagger Dimension	3-8
Aligned Dimension	3-9
Angular Dimension	3-9
Chamfer Dimension	3-10
Slot Dimension	3-10
Radius Dimension (Leader line)	3-11
Simple Hole Dimension (Leader line)	3-12
Fastener Hole Dimension (Annotations)	3-13
Cylindrical Dimension	3-13
Equally Spaced Hole Dimension	3-15
Hole Dimension Location	3-15
Point/Center of a Circle Dimension	3-16
Arc Dimension	3-16
Order of Preference - Linear Dimension Line	3-17
Precision	3-17
Size Dimension	3-18
Continuous Dimensions	3-19
Principles of good Dimensioning	3-20
Precision and Tolerance	3-26
Tolerance for a Drawing	3-27
General Tolerance - Title Block	3-27
Local Tolerance - Dimension	3-28
Limit Tolerance	3-28
Unilateral Tolerance	3-29
Bilateral Tolerance	3-29

Formatting Inch Tolerances	3-29
Metric Dimension Specifications	3-30
Tolerance Parts and Important Terms	3-30
Fit - Hole Tolerance	3-32
Fit Types between Mating Parts	3-32
Clearance Fit	3-33
Interference Fit	3-33
Transition Fit	3-33
Fasteners in General	3-34
Representing External (Male) Threads	3-37
Cutting External (Male) Threads	3-38
Die	3-38
Lathe	3-38
Representing Internal (Female) Threads	3-39
Cutting Internal (Female) Threads	3-39
Taper	3-40
Plug	3-40
Bottoming	3-40
American National Standard and Unified Screw Threads	3-41
Single vs. Double or Triple Threads	3-41
Pitch and Major Diameter	3-42
Thread Class of Fit	3-42
Class 1	3-42
Class 2	3-42
Class 3	3-42
General Thread Notes	3-43
Dimensioning a CounterBore Hole	3-44
Dimensioning a CounterSunk Hole	3-44
Chapter Summary	3-45
Questions/Exercises	3-46
<b>Chapter 4 - Overview of SOLIDWORKS and the User Interface</b>	<b>4-1</b>
Chapter Objective	4-3
What is SOLIDWORKS?	4-3
Basic concepts in SOLIDWORKS	4-3
Start a SOLIDWORKS Session	4-4
<i>Tutorial: Start a SOLIDWORKS Session</i>	4-4
Welcome dialog box	4-4
Home Tab	4-5
Recent Tab	4-5
Learn Tab	4-5
Alerts Tab	4-6
SOLIDWORKS User Interface (UI) and CommandManager	4-7
Menu Bar toolbar	4-7
Menu Bar menu (No model open)	4-8
Menu Bar menu (Model open)	4-8
Drop-down menu (Open part document)	4-8
Create a New Part Document	4-9
Novice Mode	4-10
Advanced Mode	4-10
Graphic Window (Default)	4-11

View Default Sketch Planes	4-12
Open a Part	4-12
Part FeatureManager	4-13
FeatureManager Rollback Bar	4-13
Heads-up View toolbar	4-15
Dynamic Annotation Views	4-15
Zoom to Fit	4-15
Zoom to Area	4-15
Window-Select	4-15
Rotate	4-15
Front View	4-16
Right View	4-16
Top View	4-16
Trimetric view	4-16
SOLIDWORKS Help	4-16
SOLIDWORKS Tutorials	4-17
User Interface Tools	4-17
Right-click	4-18
Consolidated toolbar	4-18
System feedback icons	4-18
Confirmation Corner	4-19
Heads-up View toolbar	4-19
CommandManager (Default Part tab)	4-22
CommandManager (Default Drawing tab)	4-23
CommandManager (Default Assembly tab)	4-24
CommandManager (Float/Fit)	4-25
Collapse the CommandManager	4-25
FeatureManager Design Tree	4-26
FeatureManager design tree tab	4-26
PropertyManager tab	4-26
Configuration Manager tab	4-26
DimXpertManager tab	4-26
DisplayManager tab	4-26
CAM tab	4-26
Hide/Show tab	4-26
Sensors tool	4-26
Tags	4-27
Split	4-27
Fly-out FeatureManager	4-28
Task Pane	4-29
3DEXPERIENCE MARKETPLACE	4-29
SOLIDWORKS Resources	4-30
Design Library	4-30
File Explorer	4-31
Search	4-31
View Palette	4-31
Appearances, Scenes and Decals	4-31
Custom Properties	4-32
SOLIDWORKS Forum	4-32
Motion Study tab	4-32

3D Views tab	4-34
Dynamic Reference Visualization	4-34
Mouse Movements	4-35
Single-Click	4-35
Double-Click	4-35
Right-Click	4-35
Scroll Wheel	4-35
Summary	4-36
<b>Chapter 5 - Introduction to SOLIDWORKS Part Modeling</b>	<b>5-1</b>
Chapter Overview	5-3
File Management	5-4
Start a SOLIDWORKS Session and Open a New Part Document	5-5
Part Template	5-5
BATTERY Part	5-11
BATTERY Part-Extruded Boss/Base Feature	5-13
BATTERY Part-Fillet Feature Edge	5-17
BATTERY Part-Extruded Cut Feature	5-19
BATTERY Part-Second Fillet Feature	5-21
BATTERY Part Extruded-Boss/Base Feature	5-22
BATTERYPLATE Part	5-28
Save As, Delete, Edit Feature and Modify	5-29
BATTERYPLATE Part-Extruded Boss Feature	5-31
BATTERYPLATE Part-Fillet Features: Full Round and Multiple Radius Options	5-32
Multi-body Parts and Extruded Boss/Base Feature	5-35
Chapter Summary	5-36
Questions/Exercises	5-38
<b>Chapter 6 - Revolved Boss/Base Features</b>	<b>6-1</b>
Chapter Overview	6-3
LENS Part	6-4
LENS Part Revolved Boss/Base Feature	6-5
LENS Part-Shell Feature	6-8
LENS Part-Extruded Boss/Base Feature and Convert Entities Sketch tool	6-9
LENS Part-Hole Wizard Feature	6-10
LENS Part-Revolved Boss Thin Feature	6-12
LENS Part-Extruded Boss/Base Feature and Offset Entities	6-14
LENS Part-Extruded Boss Feature and Transparency	6-16
LENS Part-Transparent Optical Property	6-16
BULB Part	6-18
BULB Part-Revolved Base Feature	6-19
BULB Part-Revolved Boss Feature and Spline Sketch tool	6-21
BULB Part-Revolved Cut Thin Feature	6-23
BULB Part-Dome Feature	6-25
BULB Part-Circular Pattern Feature	6-26
BULB Part-Seed Cut Feature	6-26
BULB Part-Extruded Cut Feature	6-28
BULB Part-Circular Pattern Feature	6-29
Customizing Toolbars and Short Cut Keys	6-30
Chapter Summary	6-32
Questions/Exercises	6-33



<b>Chapter 7 - Swept, Lofted, Rib, Mirror and Additional Features</b>	<b>7-1</b>
Chapter Overview	7-3
O-RING Part-Swept Base Feature	7-4
SWITCH Part-Lofted Base Feature	7-7
SWITCH Part-Dome Feature	7-12
Four Major Categories of Solid Features	7-14
LENSCAP Part	7-14
LENSCAP Part-Extruded Boss/Base, Extruded Cut and Shell Features	7-15
LENSCAP Part-Revolved Thin Cut Feature	7-18
LENSCAP Part-Thread, Swept Feature and Helix/Spiral Curve	7-19
HOUSING Part	7-25
HOUSING Part-Extruded Base Feature	7-27
HOUSING Part-Lofted Boss Feature	7-28
HOUSING Part-Second Extruded Boss/Base Feature	7-32
HOUSING Part-Shell Feature	7-33
HOUSING Part-Third Extruded Boss/Base Feature	7-34
HOUSING Part-Draft Feature	7-35
HOUSING Part-Threads and Swept Feature	7-37
HOUSING Part-Handle with Swept Feature	7-42
HOUSING Part-Extruded Cut Feature with Up To Surface Option	7-47
HOUSING Part-First Rib and Linear Pattern Feature	7-49
HOUSING Part-Second Rib Feature	7-52
HOUSING Part-Mirror Feature	7-55
Chapter Summary	7-58
Questions/Exercises	7-60
<b>Chapter 8 - Assembly Modeling - Bottom up method</b>	<b>8-1</b>
Chapter Overview	8-3
Assembly Modeling Overview	8-4
FLASHLIGHT Assembly	8-6
Assembly Techniques	8-7
Assembly Template	8-8
Assembly Templates-ASM-IN-ANSI	8-8
Assembly Templates-ASM-MM-ISO	8-9
LENSANDBULB Sub-assembly	8-10
BATTERYANDPLATE Sub-assembly	8-14
CAPANDLENS Sub-assembly	8-16
FLASHLIGHT Assembly	8-20
FLASHLIGHT Assembly-Addressing Interference Issues	8-26
FLASHLIGHT Assembly-Exploded View	8-27
FLASHLIGHT Assembly-Export Files and eDrawings	8-30
Chapter Summary	8-33
Questions/Exercises	8-34
<b>Chapter 9 - Fundamentals of Drawing</b>	<b>9-1</b>
Chapter Overview	9-3
New Drawing and the Drawing Template	9-4
Title Block	9-7
Company Logo and Save Sheet Format	9-11
BATTERY Drawing	9-15
BATTERY Drawing - Insert a View	9-16

BATTERY Drawing - Detail View	9-19
BATTERY Drawing - View Display	9-20
BATTERY Drawing - Insert Model Items and Move Dimensions	9-21
BATTERY Drawing - Insert a Note	9-23
New Assembly Drawing and Exploded View	9-25
FLASHLIGHT Drawing - Bill of Materials and Balloons	9-27
Part Numbers	9-29
FLASHLIGHT Drawing - ConfigurationManager	9-30
FLASHLIGHT Drawing - Update the Bill of Materials	9-30
Design Tables and O-RING Design-Table Drawing	9-32
O-RING Drawing	9-34
O-RING Drawing - Design Table	9-34
Add a Center of Mass point	9-36
Chapter Summary	9-37
Questions/Exercises	9-38
<b>Chapter 10 - Introduction to the Certified Associated – Mechanical Design Exam</b>	<b>10-1</b>
Chapter Objective	10-3
Introduction	10-3
Part 1 of the Exam	10-4
Basic Part Creation and Modification, Intermediate Part Creation and Modification	10-4
Assembly Creation and Modification	10-6
Part 2 of the Exam	10-7
Introduction and Drafting Competencies	10-7
Advanced Part Creating and Modification	10-8
Assembly Creation and Modification	10-10
Intended Audience	10-11
During the Exam	10-12
Drafting Competencies	10-13
Example 1	10-13
Example 2	10-13
Example 3	10-14
Example 4	10-14
Example 5	10-14
Example 6	10-14
Basic Part Creation and Modification, Intermediate Part Creation and Modification	10-15
Example 1	10-16
Example 2	10-17
Example 3	10-18
Example 4	10-19
Example 5	10-20
Example 6	10-21
Example 6A	10-23
Example 6B	10-23
Advanced Part Creation and Modification	10-24
Example 1	10-24
Example 2	10-26
Example 3	10-27
Example 4	10-28
Example 5	10-29
Example 6	10-31

Example 6A	10-32
Assembly Creation and Modification	10-33
Example 1	10-34
<b>Chapter 11 - Additive Manufacturing - 3D Printing</b>	<b>11-1</b>
Chapter Objective	11-3
Additive vs. Subtractive Manufacturing	11-4
3D Printer Technology	11-5
Stages of 3D Printing	11-5
Fused Filament Fabrication (FFF)	11-6
Stereolithography (SLA)	11-9
Selective Laser Sintering (SLS)	11-11
Select the Correct Filament Material for FFF	11-12
PLA (Polylactic Acid)	11-13
Flex/Soft PLA	11-13
PLA Storage	11-14
PLA Part Accuracy	11-14
ABS (Acrylonitrile-Butadiene-Styrene)	11-14
ABS Storage	11-15
ABS Part Accuracy	11-15
Nylon	11-16
Nylon 618	11-16
Nylon 645	11-16
Nylon Storage	11-17
Nylon Accuracy	11-17
PVA (Polyvinyl Alcohol)	11-17
STereolithography (*.stl) file	11-18
Save an STL (*.stl) file	11-18
Additive Manufacturing (*.amf) file	11-19
Save an Additive Manufacturing (*.amf) file	11-19
3D Manufacturing Format (*.3mf) file	11-20
Save a 3D Manufacturing Format (*.3mf) file	11-20
What is a Slicer?	11-21
How does a Slicer Work?	11-21
Slicer Parameters	11-21
Layer Height	11-21
Shell (Wall) Thickness	11-22
Infill Density/Overlap	11-22
Infill Patterns	11-22
Print Speed	11-23
Support Types	11-23
Touching Buildplate	11-23
Everywhere	11-24
Bed Platform Adhesion	11-24
Raft	11-24
Skirt	11-24
Brim	11-24
Part Orientation	11-25
Example 1	11-25
Example 2	11-26
Optimize Print Direction	11-26

Thin Region	11-26
Area of Overhang	11-26
Amount of needed Support	11-26
Remove Model from the Build Plate	11-28
Non-heated Build Plate	11-28
Heated Build Plate	11-28
Know the Printer's Limitations	11-29
Tolerance for Interlocking Parts	11-29
General Printing Tips	11-29
Reduce Infill/Overlap	11-29
Control Build Area Temperature	11-30
Add Pads	11-31
Safe Zone Rule	11-31
First Layer Not Sticking	11-31
Level Build Platform	11-32
Minimize Internal Support	11-32
Design a Water Tight Mesh	11-32
Clearance	11-32
In General	11-33
Print Directly from SOLIDWORKS	11-34
Add-in	11-34
SOLIDWORKS Additive Manufacturing Certification (CSWA-AM)	11-35
Summary	11-36
<b>Appendix</b>	
SOLIDWORKS Keyboard Shortcuts	A-1
Modeling - Best Practices	A-3
Helpful On-Line Information	A-5
SOLIDWORKS Document Types	A-8
<b>Glossary</b>	<b>G-1</b>
<b>Index</b>	<b>I-1</b>

Download all needed model files from the SDC Publications website (<https://www.sdcpublications.com/downloads/978-1-63057-466-6>). View the provided models to enhance the user experience. Additional projects are included in the exercise section.