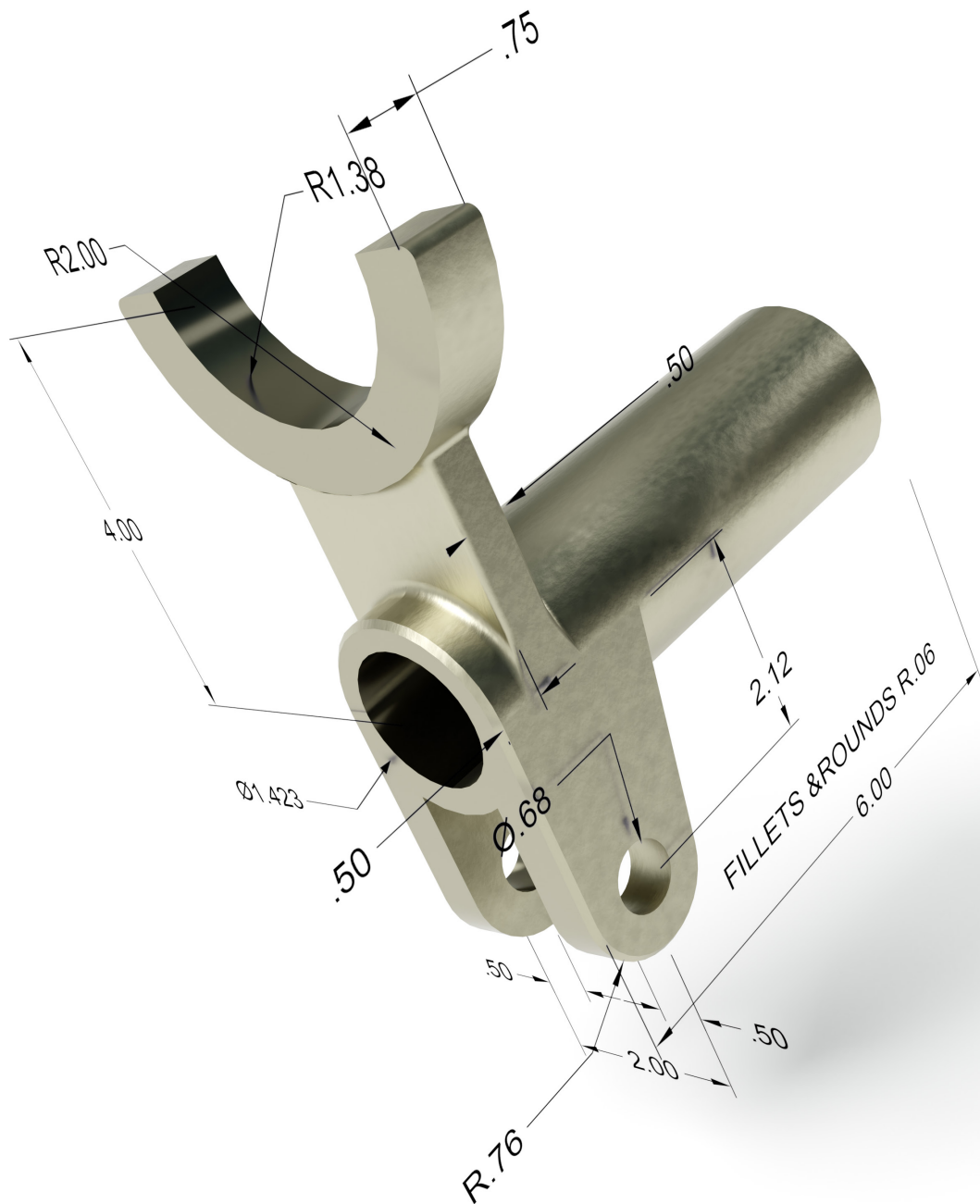


Designing with Creo® Parametric 9.0



Michael J. Rider, Ph.D.

Visit the following websites to learn more about this book:



[amazon.com](https://www.amazon.com)

[Google books](https://books.google.com)

[BARNES & NOBLE](https://www.barnesandnoble.com)

CONTENTS

Preface xi

Chapter 1

COMPUTER-AIDED DESIGN 1

Objectives 1
History of Computer-Aided Design 1
Creo Parametric—Designing Without Barriers 2
Creo Parametric—Getting Started 5
Recovering from a Program Crash 12
Review Questions 15

Chapter 2

INTRODUCTION 17

Objectives 17
Introduction 17
Design Process 17
 Step 1—Identifying the Problem 18
 Step 2—Brainstorming Ideas 18
 Step 3—Evaluating the Ideas, then Selecting One 19
 Step 4—Modeling the Solution 19
 Step 5—Working Drawing and Production 19
Design a New Product, an Example 20
 Step 1—Identifying the Problem 20
 Step 2—Brainstorming Ideas 21
 Step 3—Evaluating the Ideas, then Selecting One 23
 Criteria 23
 Final Preliminary Design 25
 Next Step 26
Review Questions 26

Chapter 3

SKETCHER 27

Objectives 27
Sketcher Explored 27
 Entering Sketcher Directly from Creo Parametric 28
 Entering Sketcher from Part Mode within Creo Parametric 29
Sketcher Tools Explained 29
 Datums 29
 Sketching Tools 30
 Editing 37
 Constraint 39
 Dimension 41
 Inspect 44
 Save Sketch 44
 Close Sketcher from Part Mode 44
 Set up Sketcher from Part Mode 45
 Sketcher Graphics Toolbar 45
Sketcher Practice 47
Sketcher Exercise 58

Using Creo Parametric to Sketch the Jig, Design_1a 59
Using Creo Parametric to Design a Jig, Design_1b 63,
Using Creo Parametric to Design a Jig, Design_1c 66

Review Questions 68
Sketcher Problems 69

Chapter 4

EXTRUSIONS 75

Objectives 75
Extrusions Explored 75
Extrusions Practice 81
Extrusions Exercise 92
Review Questions 104
Extrusions Problems 105

Chapter 5

REVOLVES 115

Objectives 115
Revolves Explored 115
 Symmetrical Features in Designs 115
 Hole Options 120
 Hole Placement 121
Revolves Practice 122
Revolves Exercise 137
Review Questions 148
Revolves Problems 149

Chapter 6

PATTERNS 155

Objectives 155
Patterns Explored 155
Patterns Practice (Linear) 163
Patterns Practice (Axial) 170
Patterns Exercise 178
Review Questions 191
Patterns Problems 192

Chapter 7

DIMENSIONING 197

Objectives 197
Do's and Don'ts of Dimensioning 197
 Background 197
 Part Size and Shape 197
 Learn to Dimension Properly 198

| | |
|--|------------|
| Fractional and Decimal Dimensions | 200 |
| Standard Sizes Preferred | 203 |
| Dimensioning Angles | 203 |
| Dimensioning Arcs | 204 |
| Fillets and Rounds | 205 |
| Finish Marks | 205 |
| Dimensions and Part Views | 205 |
| Contour Dimensioning | 206 |
| Geometric Shapes | 207 |
| Dimensioning Prisms | 208 |
| Dimensioning Cylinders | 209 |
| Dimensioning Holes | 210 |
| Dimensioning Round-End Shapes | 211 |
| Dimensioning Tapers | 212 |
| Dimensioning Threads | 212 |
| Dimensioning Chamfers | 213 |
| Shaft Centers | 213 |
| Dimensioning Keyways | 214 |
| Location Dimensions | 214 |
| Modified Purchased Parts | 217 |
| Mating Dimensions | 217 |
| Notes | 218 |
| Dimensioning for Numerical Control | 219 |
| Checklist for Dimensioning | 219 |
| Creating an A-size Format Sheet | 222 |
| Creating A-size Templates | 232 |
| Template with Three Orthographic Views | 232 |
| Template with Two Orthographic Views | 239 |
| Template with One 3D Projection View | 241 |
| Review Questions | 244 |
| Chapter 8 | |
| ENGINEERING DRAWINGS | 245 |
| Objectives | 245 |
| Engineering Drawings Explored | 245 |
| Engineering Drawings Practice | 252 |
| Sectioned View | 259 |
| Auxiliary Views | 265 |
| Engineering Drawings Exercise | 272 |
| Review Questions | 279 |
| Engineering Drawings Problems | 280 |
| Chapter 9 | |
| ASSEMBLIES | 287 |
| Objectives | 287 |
| Assemblies Explored | 287 |
| User-Defined Constraints | 289 |
| Predefined Constraints | 291 |
| Using Extra Constraints | 292 |
| Assembly Practice | 293 |
| Assembly Exercise | 307 |
| Review Questions | 333 |
| Assembly Problems | 334 |

| | |
|----------------------------|------------|
| Chapter 10 | |
| ASSEMBLY DRAWINGS | 339 |
| Objectives | 339 |
| Assembly Drawings Explored | 339 |
| Assembly Drawings Practice | 343 |
| Assembly Drawings Exercise | 352 |
| Review Questions | 365 |
| Assembly Drawings Problems | 366 |

| | |
|--------------------------------------|------------|
| Chapter 11 | |
| RELATIONS AND FAMILY TABLES | 369 |
| Objectives | 369 |
| Relations and Family Tables Explored | 369 |
| Relations Practice | 373 |
| Relations and Pattern Practice | 377 |
| Relations and Family Tables Practice | 383 |
| Relations and Family Tables Exercise | 392 |
| Review Questions | 403 |
| Relations and Family Tables Problems | 404 |

| | |
|---------------------------------|------------|
| Chapter 12 | |
| TOLERANCING AND GD&T | 407 |
| Objectives | 407 |
| Tolerancing and GD&T Explored | 407 |
| Basic Hole System | 409 |
| Coordinate Tolerancing | 412 |
| Geometric Tolerances | 413 |
| Tolerancing and GD&T Practice | 418 |
| Tolerancing and GD&T Exercise | 433 |
| Review Questions | 441 |
| Tolerancing and GD&T Problems | 442 |

| | |
|--------------------------------|------------|
| Chapter 13 | |
| CREO SIMULATE AND FEA | 449 |
| Objectives | 449 |
| Creo Simulate and FEA Explored | 449 |
| Simulate and FEA Practice | 451 |
| Simulate and FEA Exercise | 469 |
| Review Questions | 483 |
| Simulate and FEA Problems | 484 |

| | |
|--------------------------------|------------|
| Appendix A | |
| PARAMETERS FOR DRAWINGS | 489 |
| Appendix B | |
| DRILL AND TAP CHART | 493 |
| Appendix C | |
| SURFACE ROUGHNESS CHART | 495 |

| | | | |
|--------------------------------------|------------|--------------------------------|------------|
| Appendix D | | Appendix K | |
| CLEVIS PIN SIZES | 497 | RETAINING RING SIZES | 511 |
| Appendix E | | Appendix L | |
| NUMBER AND LETTER DRILL SIZES | 499 | BASIC HOLE TOLERANCE | 513 |
| Appendix F | | Appendix M | |
| SQUARE AND FLAT KEY SIZES | 501 | BASIC SHAFT TOLERANCE | 515 |
| Appendix G | | Appendix N | |
| SCREW SIZES | 503 | TOLERANCE ZONES | 517 |
| Appendix H | | Appendix O | |
| NUT SIZES | 505 | INTERNATIONAL TOLERANCE | |
| Appendix I | | GRADES | 519 |
| SETSCREW SIZES | 507 | References | 521 |
| Appendix J | | Index | 523 |
| WASHER SIZES | 509 | | |