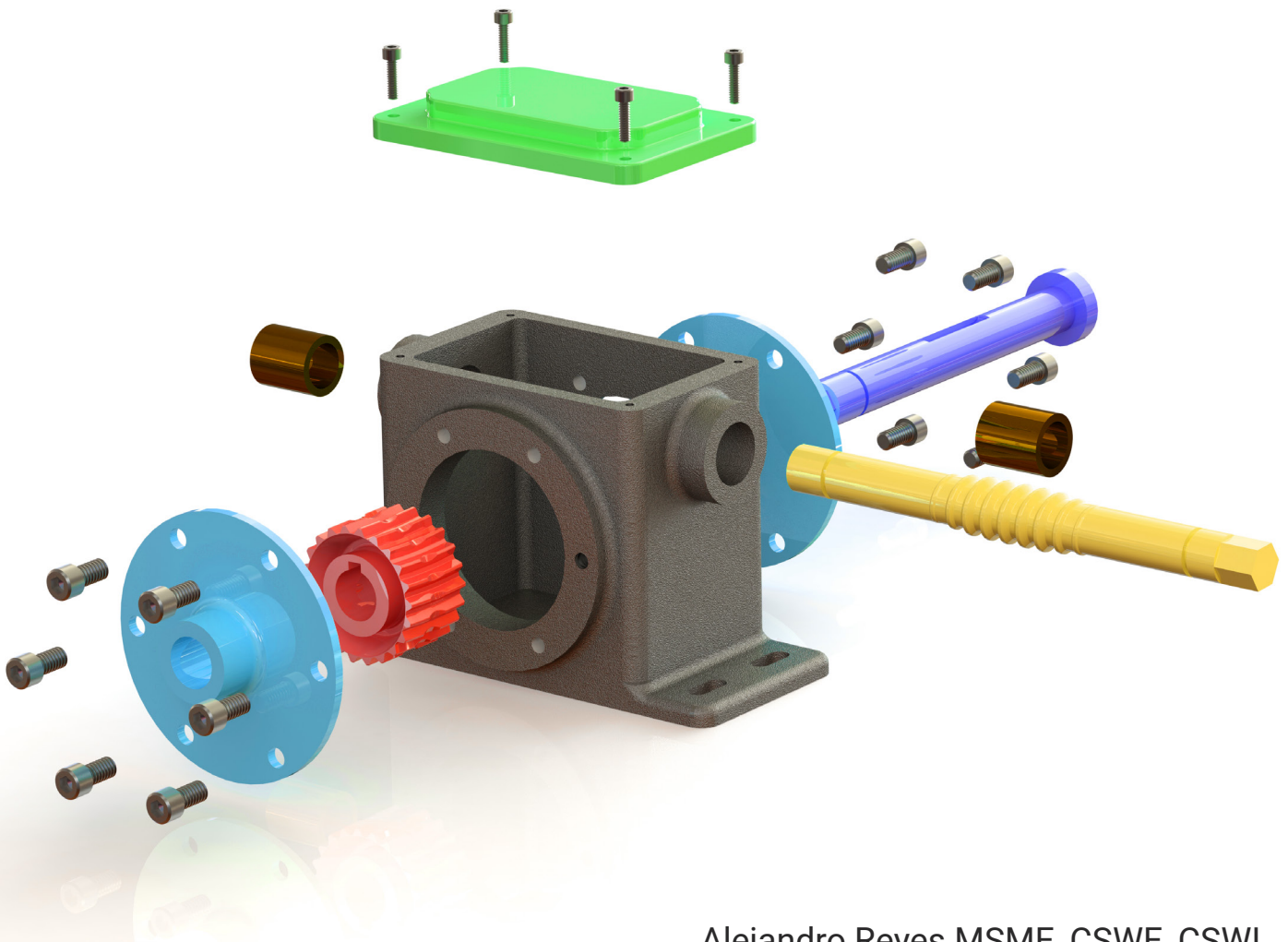


Beginner's Guide to SOLIDWORKS® 2023 Level I

Parts, Assemblies, Drawings, PhotoView 360,
SimulationXpress and CSWA Preparation



Alejandro Reyes MSME, CSWE, CSWI

Visit the following websites to learn more about this book:



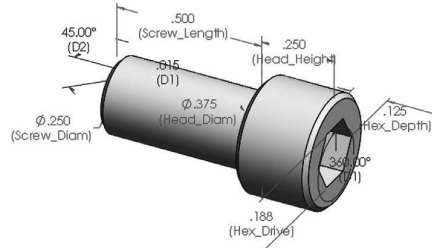
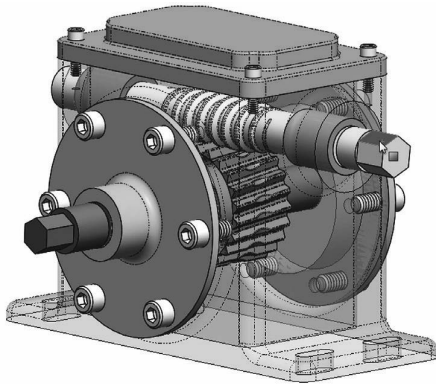
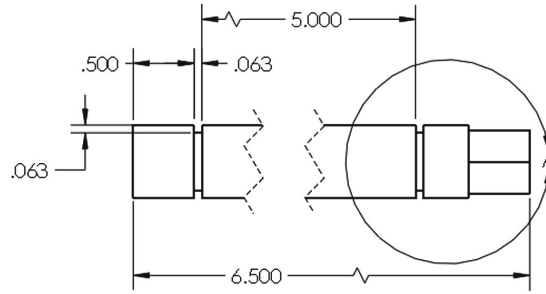
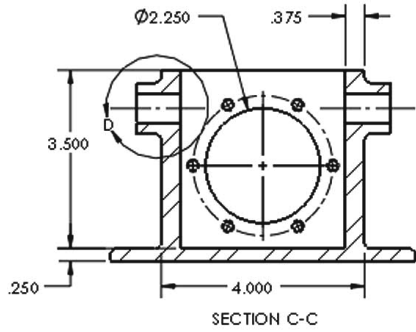
[amazon.com](https://www.amazon.com)

[Google books](https://books.google.com)

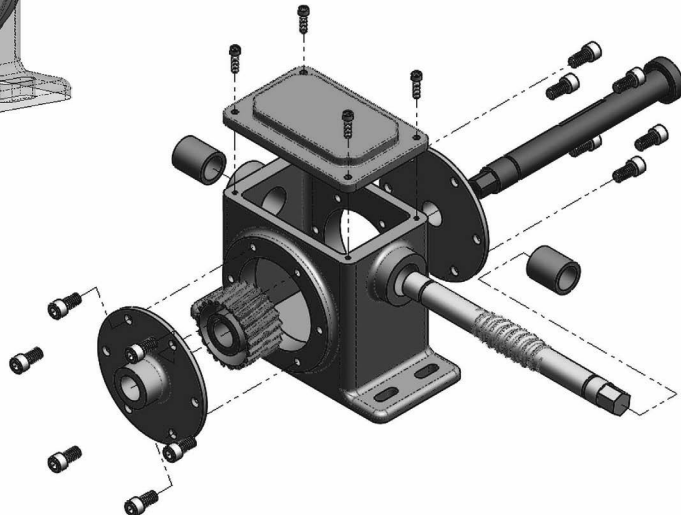
[BARNES & NOBLE](https://www.barnesandnoble.com)

Table of Contents

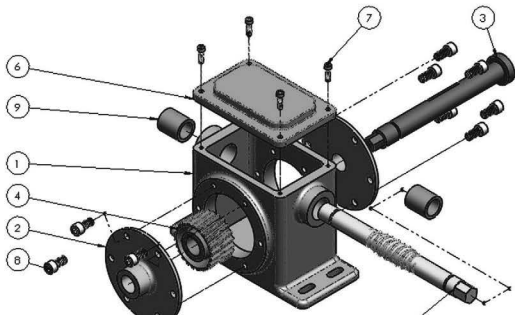
<i>Introduction.....</i>	<i>1</i>
<i>Chapter 1: The SOLIDWORKS Interface.....</i>	<i>3</i>
<i>Chapter 2: Part Modeling</i>	<i>21</i>
The Housing	23
The Side Cover.....	115
The Top Cover.....	133
The Offset Shaft.....	165
Auxiliary Geometry.....	187
The Worm Gear	205
The Worm Gear Shaft.....	231
<i>Chapter 3: Special Features: Sweep, Loft and Wrap.....</i>	<i>245</i>
Sweep: Cup and Springs	247
The Cup.....	249
Simple Spring	263
Variable Pitch Spring	269
Thread Feature	273
Sweep: Bottle.....	279
Loft: Bottle	295
Wrap Feature.....	307
Worm Gear Shaft Complete.....	323
Worm Gear Complete	333



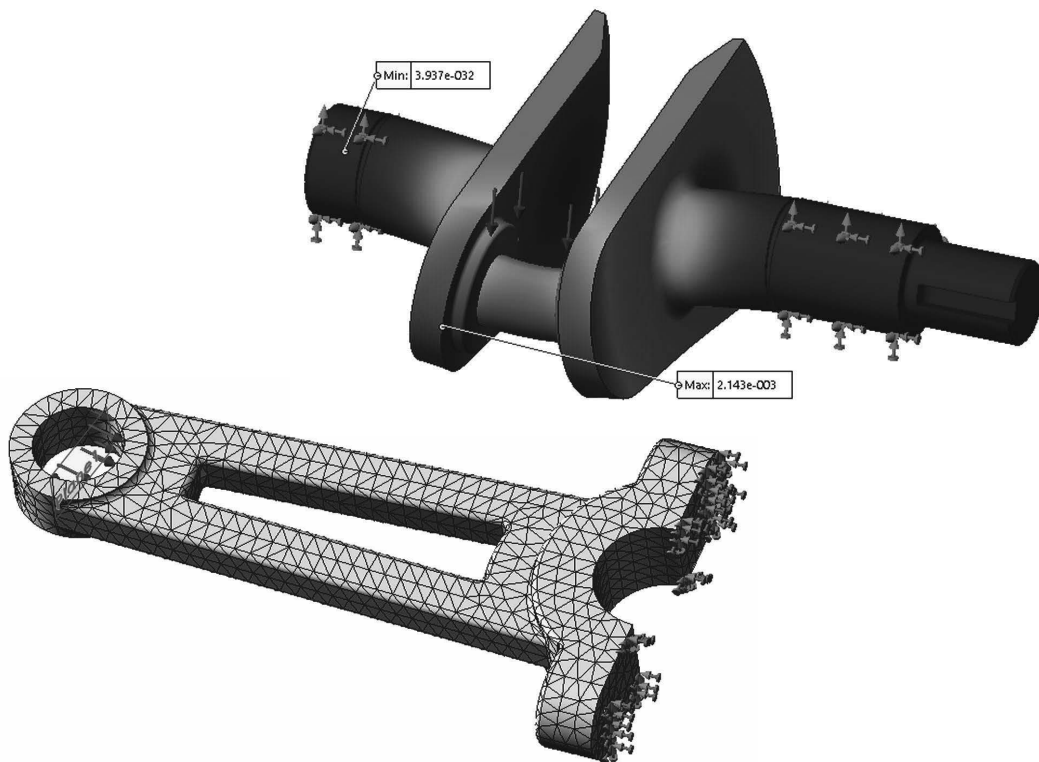
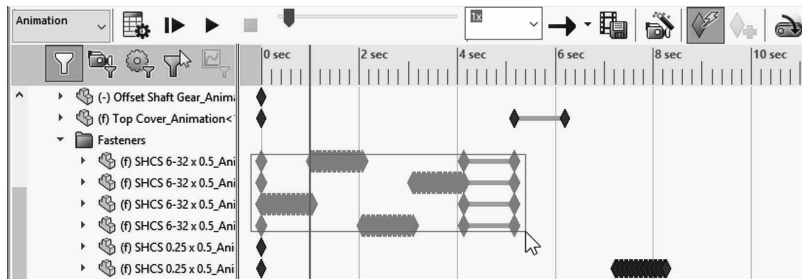
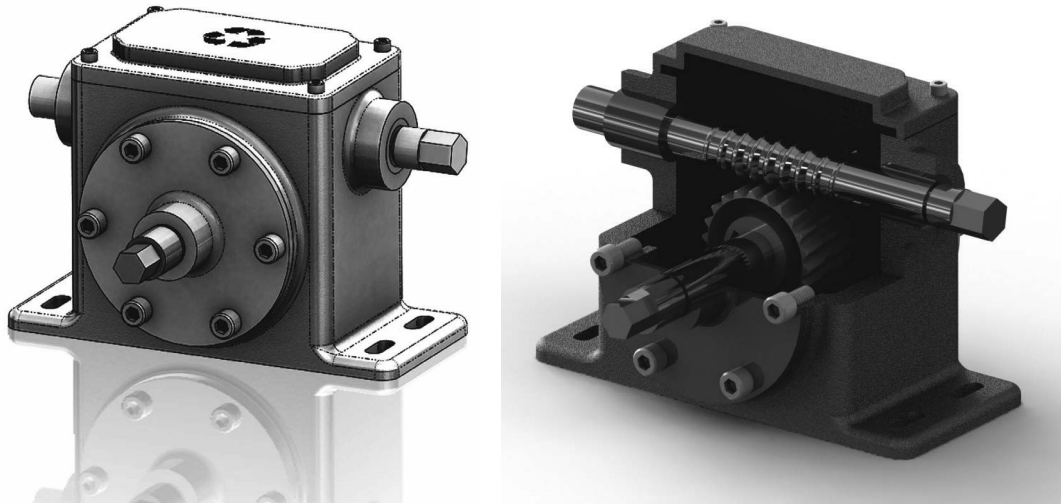
- ANSI Inch
- > Bearings
- ✓ Bolts and Screws
 - Countersunk Head
 - Hex Head
 - Lag Screws
 - Machine Screws
 - Machine Screws (Countersunk)
 - Miniature Screws
 - Miscellaneous
 - Round Head Bolts



Part No.	Description	Material	Quantity	Weight
1	housing	Cast Alloy Steel	1	4.40
2	Side Cover	Cast Cover #345	2	AS11020 0.36
3	Worm Gear Shaft	Shaft with Hex Drive	1	Chrome Stainless Steel 0.52
4	Worm Gear Complete	Part No. ABC-2468	1	AS11020 0.33
5	Offset Shaft Gear	Part No. OGS2345	1	Chrome Stainless Steel 0.49
6	Top Cover	Cast # 9876	1	Cast Alloy Steel 0.48
7	HW-SHCS 0.138-32x0.5x0.5-S		4	
8	HW-SHCS 0.25-20x0.5x0.5-S		12	
9	Bushing	Part No. SB84-BC	2	Brass 0.057



Chapter 4: Detail Drawing	353
Drawing One: The Housing.....	355
Drawing Two: The Side Cover	403
Drawing Three: The Top Cover.....	429
Drawing Four: The Offset Shaft	449
Drawing Five: The Worm Gear	457
Drawing Six: The Worm Gear Shaft.....	475
Chapter 5: Assembly Modeling	497
The Speed Reducer Assembly	499
SmartMates	533
Fasteners.....	551
Configurations using Design Tables.....	563
Interference Detection.....	581
Assembly Configurations	585
Exploded View	609
Chapter 6: Assembly and Design Table Drawings	655
Assembly Drawing	657
Design Table Drawing.....	683



Chapter 7: Animation and Rendering	691
PhotoView 360.....	693
Animation.....	715
Chapter 8: Analysis: SimulationXpress.....	745
Background: Why Analysis?	747
Engine's Connecting Rod Analysis	751
A final word on analysis	775
CSWA: Certified SOLIDWORKS Associate Practice Test	779
Collaboration: eDrawings	791
Final Comments.....	795
Appendix	797
Document templates	797
Index	803