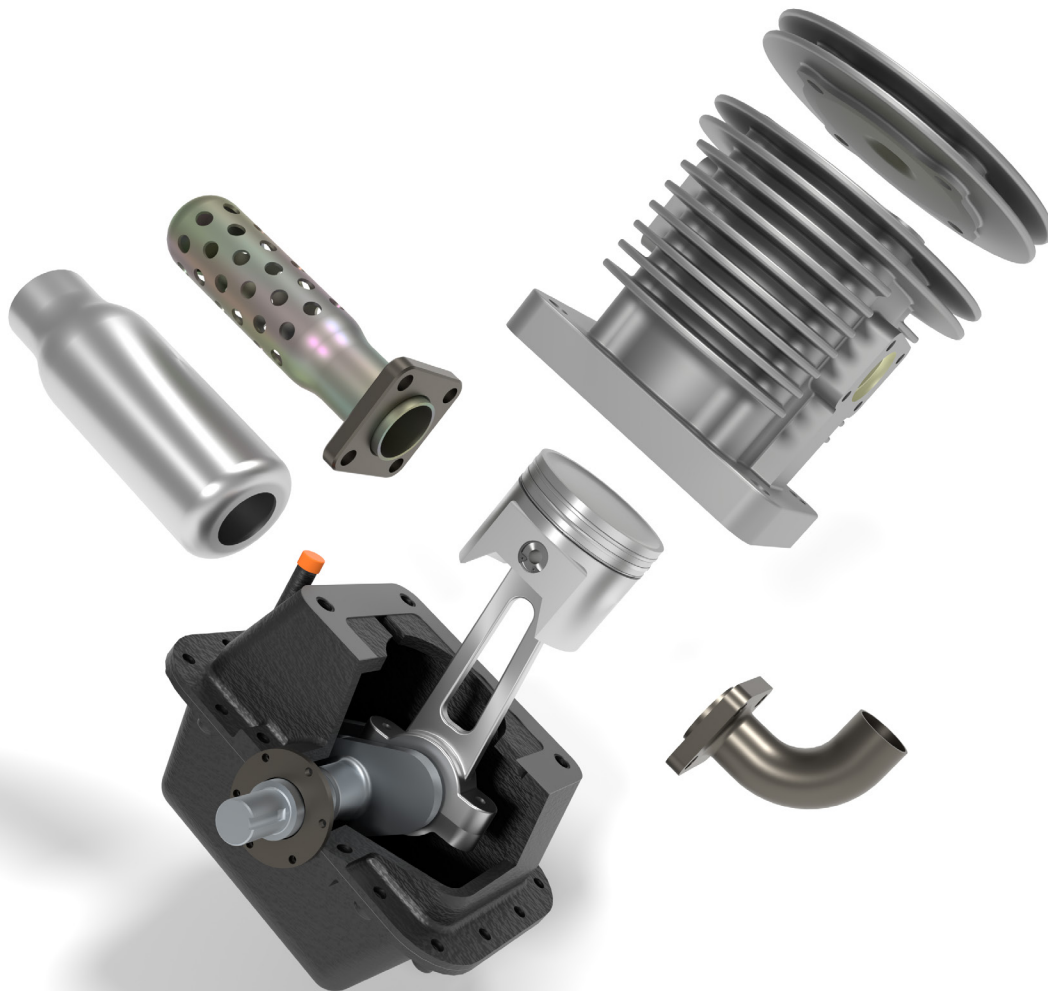


# Beginner's Guide to SOLIDWORKS® 2024 Level I

Parts, Assemblies, Drawings, SOLIDWORKS Visualize,  
SimulationXpress and CSWA Preparation



Alejandro Reyes MSME, CSWE, CSWI

Visit the following websites to learn more about this book:



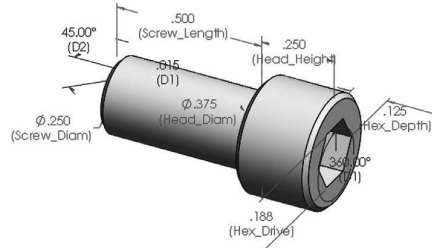
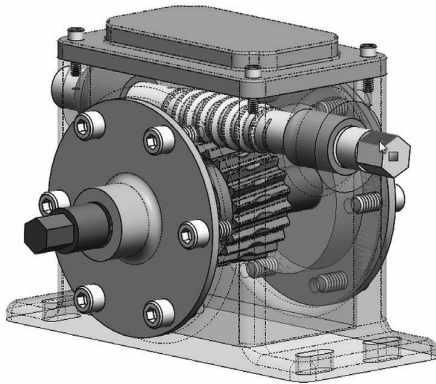
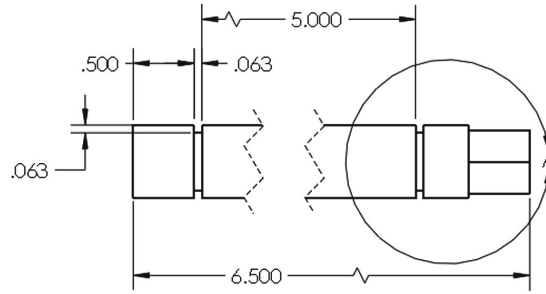
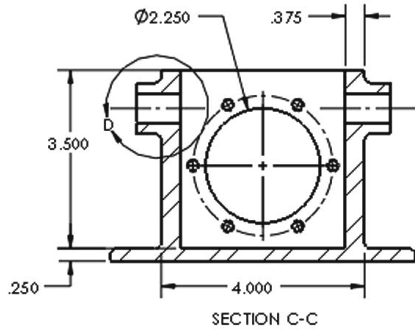
[amazon.com](https://www.amazon.com)

[Google books](https://books.google.com)

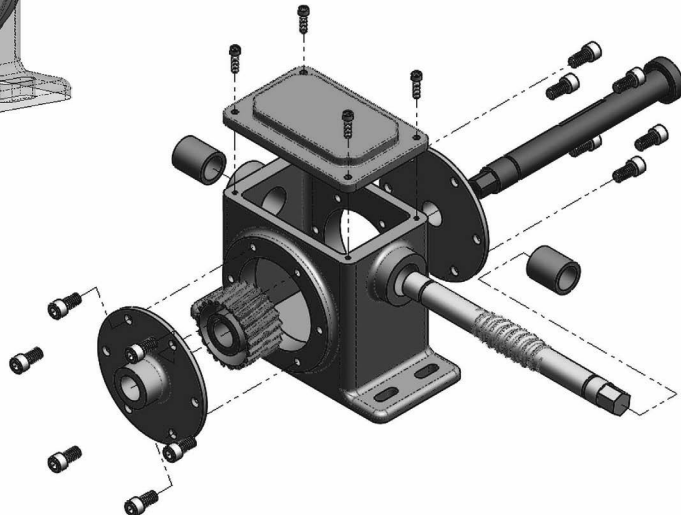
[BARNES & NOBLE](https://www.barnesandnoble.com)

# Table of Contents

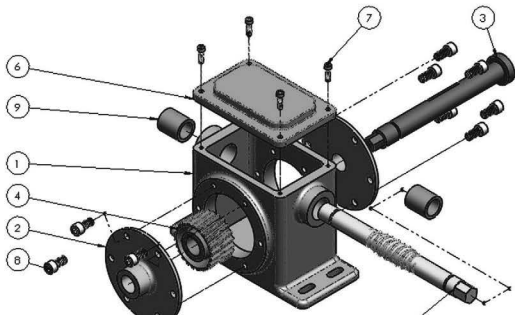
<b><i>Introduction.....</i></b>	<b><i>1</i></b>
<b><i>Chapter 1: The SOLIDWORKS Interface.....</i></b>	<b><i>3</i></b>
<b><i>Chapter 2: Part Modeling .....</i></b>	<b><i>21</i></b>
The Housing .....	23
The Side Cover.....	115
The Top Cover.....	133
The Offset Shaft.....	165
Auxiliary Geometry.....	187
The Worm Gear .....	205
The Worm Gear Shaft.....	231
<b><i>Chapter 3: Special Features: Sweep, Loft and Wrap.....</i></b>	<b><i>245</i></b>
Sweep: Cup and Springs .....	247
The Cup.....	249
Simple Spring .....	263
Variable Pitch Spring .....	269
Thread Feature .....	273
Sweep: Bottle.....	279
Loft: Bottle .....	295
Wrap Feature.....	307
Worm Gear Shaft Complete.....	323
Worm Gear Complete .....	333



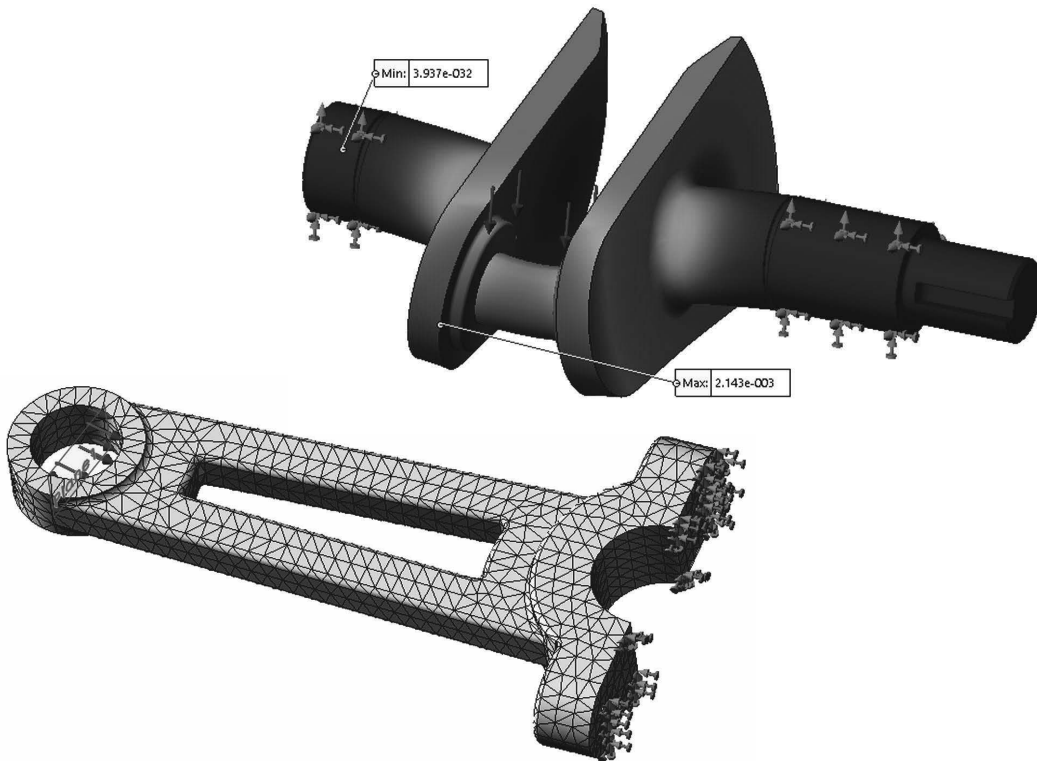
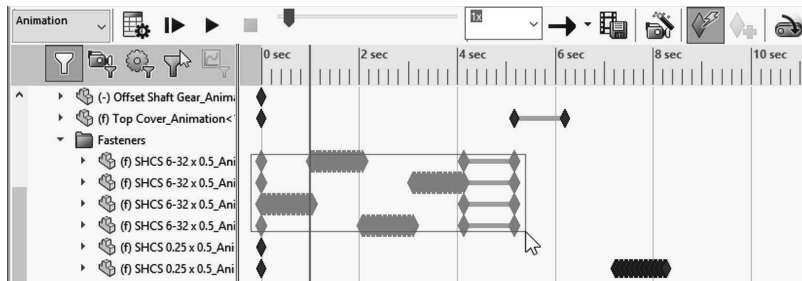
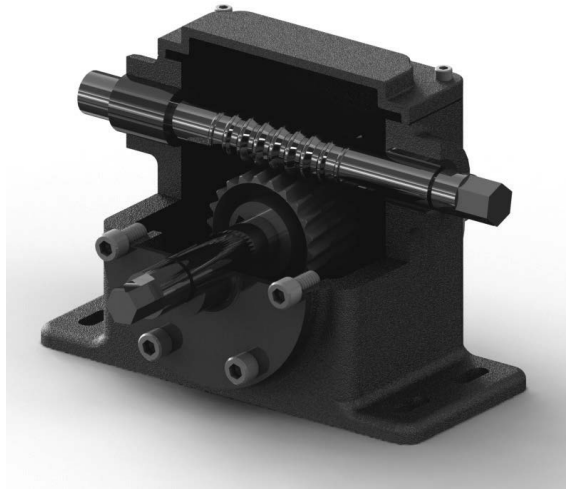
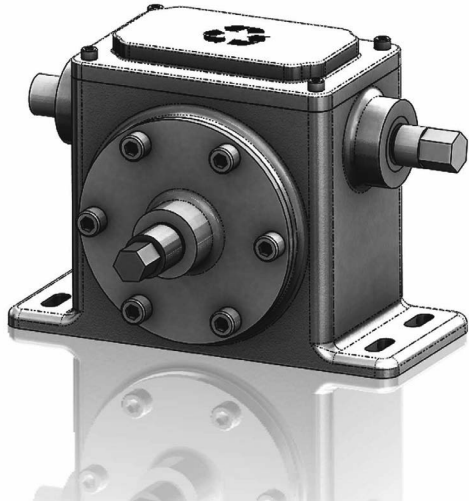
- ANSI Inch
- > Bearings
- ✓ Bolts and Screws
  - Countersunk Head
  - Hex Head
  - Lag Screws
  - Machine Screws
  - Machine Screws (Countersunk)
  - Miniature Screws
  - Miscellaneous
  - Round Head Bolts



Part No.	Description	Material	Quantity	Weight
1	Housing	Cast Alloy Steel	1	4.40
2	Side Cover	Cast Cover #345	2	0.36
3	Worm Gear Shaft	Shaft with Hex Drive	1	Chrome Stainless Steel 0.52
4	Worm Gear Complete	Part No. ABC-2468	1	AlSi1020 0.33
5	Offset Shaft Gear	Part No. OGS2345	1	Chrome Stainless Steel 0.49
6	Top Cover	Cast # 9876	1	Cast Alloy Steel 0.48
7	HW-SHCS 0.138-32x0.5x0.5-S		4	
8	HW-SHCS 0.25-20x0.5x0.5-S		12	
9	Bushing	Part No. SB84-BC	2	Brass 0.057



<b>Chapter 4: Detail Drawing</b> .....	<b>353</b>
Drawing One: The Housing.....	355
Drawing Two: The Side Cover .....	403
Drawing Three: The Top Cover.....	429
Drawing Four: The Offset Shaft .....	451
Drawing Five: The Worm Gear .....	459
Drawing Six: The Worm Gear Shaft.....	477
<b>Chapter 5: Assembly Modeling</b> .....	<b>499</b>
The Speed Reducer Assembly .....	501
SmartMates .....	535
Fasteners.....	553
Configurations using Design Tables.....	565
Interference Detection.....	583
Assembly Configurations .....	587
Exploded View .....	611
<b>Chapter 6: Assembly and Design Table Drawings</b> .....	<b>655</b>
Assembly Drawing .....	657
Design Table Drawing.....	683



<b>Chapter 7: Animation and Rendering .....</b>	<b>691</b>
SOLIDWORKS Visualize .....	693
Animation.....	723
<b>Chapter 8: Analysis: SimulationXpress.....</b>	<b>753</b>
Background: Why Analysis? .....	755
Engine's Connecting Rod Analysis .....	759
A final word on analysis .....	783
<b>CSWA: Certified SOLIDWORKS Associate Practice Test .....</b>	<b>787</b>
<b>Collaboration: eDrawings .....</b>	<b>799</b>
<b>Final Comments.....</b>	<b>803</b>
<b>Appendix .....</b>	<b>805</b>
Document templates .....	805
<b>Index .....</b>	<b>811</b>