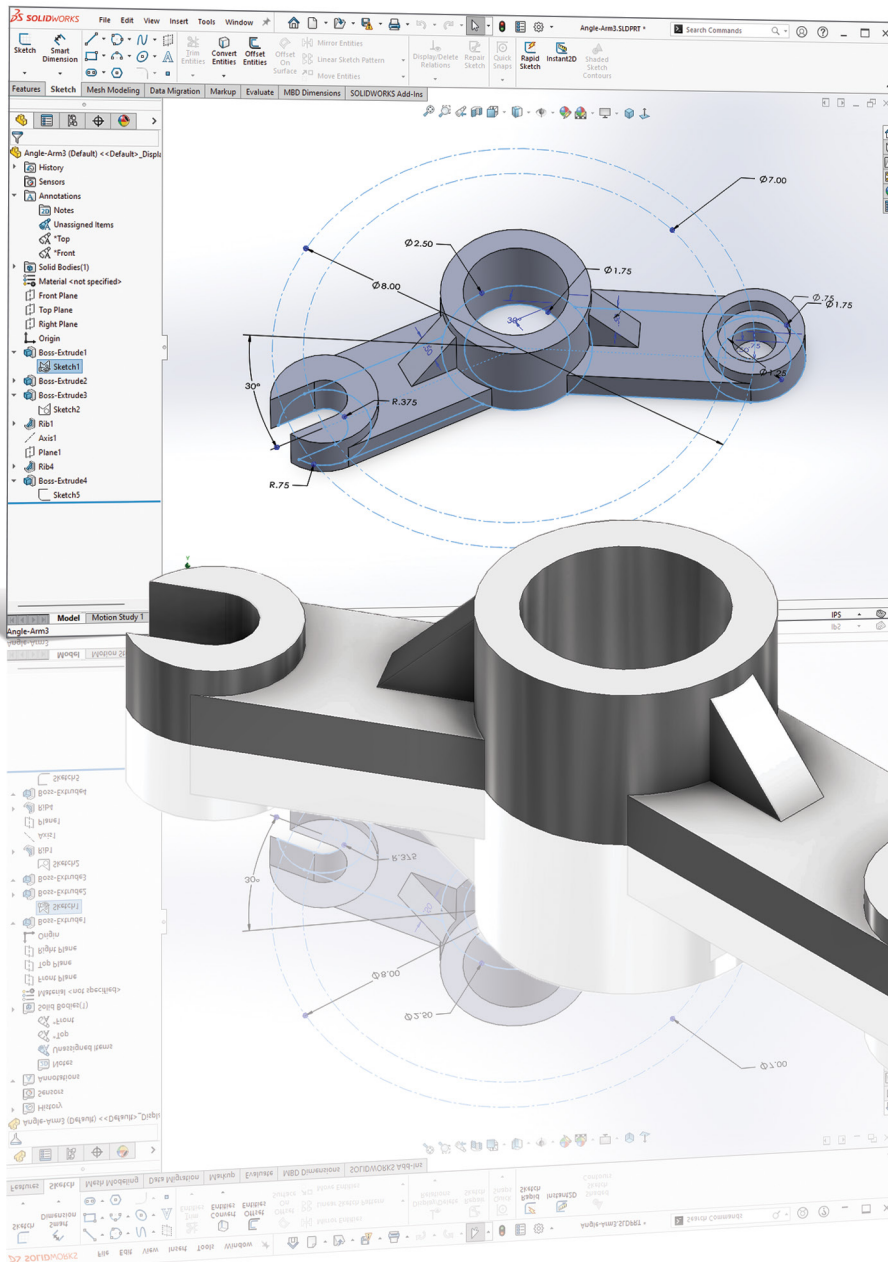


SOLIDWORKS® 2024 and Engineering Graphics

An Integrated Approach



Randy H. Shih
CSWP-Design

Visit the following websites to learn more about this book:



[amazon.com](https://www.amazon.com)

[Google books](https://books.google.com)

[BARNES & NOBLE](https://www.barnesandnoble.com)

Table of Contents

| | |
|--|-----|
| Preface | i |
| Acknowledgments | ii |
| Table of Contents | iii |
| Certified SOLIDWORKS Associate Exam Overview | xv |
| Tips about Taking the SOLIDWORKS Certified Associate Examination | xxi |

Chapter 1

Introduction

| | |
|--|------|
| Introduction | 1-2 |
| Drawing in CAD Systems | 1-4 |
| Development of Computer Geometric Modeling | 1-4 |
| Feature-Based Parametric Modeling | 1-8 |
| Getting Started with SOLIDWORKS | 1-9 |
| Starting SOLIDWORKS | 1-9 |
| SOLIDWORKS Screen Layout | 1-12 |
| Menu Bar | 1-12 |
| Menu Bar Pull-down Menus | 1-13 |
| Heads-up View Toolbar | 1-13 |
| Features Toolbar | 1-13 |
| Sketch Toolbar | 1-13 |
| Feature Manager-Design Tree/Property Manager | 1-14 |
| Configuration Manager/DimXpert Manager/Display Manager | 1-14 |
| Graphics Area | 1-15 |
| Reference Triad | 1-15 |
| Origin | 1-15 |
| Confirmation Corner | 1-15 |
| Graphics Cursor or Crosshairs | 1-15 |
| Message and Status Bar | 1-15 |
| Using the SOLIDWORKS Command Manager | 1-16 |
| Mouse Buttons | 1-17 |
| [Esc] - Canceling Commands | 1-17 |
| SOLIDWORKS Help System | 1-18 |
| Leaving SOLIDWORKS | 1-18 |
| Creating a CAD File Folder | 1-19 |

Chapter 2

Parametric Modeling Fundamentals

| | |
|---|-----|
| Introduction | 2-3 |
| The Adjuster Design | 2-4 |
| Starting SOLIDWORKS | 2-4 |
| SOLIDWORKS Part Modeling Window Layout | 2-5 |
| Step 1: Determine/Set up the Base Solid Feature | 2-7 |
| Sketching Plane – It is an XY CRT, but an XYZ world | 2-7 |

| | |
|---|------|
| Creating Rough Sketches | 2-9 |
| Step 2: Creating a Rough Sketch | 2-10 |
| Graphics Cursors | 2-10 |
| Geometric Relation Symbols | 2-12 |
| Step 3: Apply/Modify Relations and Dimensions | 2-13 |
| Viewing Functions – Zoom and Pan | 2-15 |
| Delete an Existing Geometry of the Sketch | 2-16 |
| Modifying the Dimensions of the Sketch | 2-17 |
| Step 4: Completing the Base Solid Feature | 2-18 |
| Isometric View | 2-19 |
| Rotation of the 3D Model – Rotate View | 2-19 |
| Rotation and Panning – Arrow keys | 2-21 |
| Dynamic Viewing – Quick Keys | 2-22 |
| 3D Rotation | 2-24 |
| Viewing Tools – Heads-up View Toolbar | 2-24 |
| View Orientation | 2-25 |
| Display Style | 2-26 |
| Orthographic vs. Perspective | 2-26 |
| Customizing the Heads-up View Toolbar | 2-26 |
| Step 5-1: Adding an Extruded Feature | 2-27 |
| Step 5-2: Adding a Cut Feature | 2-31 |
| Step 5-3: Adding another Cut Feature | 2-33 |
| Save the Model | 2-35 |
| Questions | 2-36 |
| Exercises | 2-37 |

Chapter 3

Constructive Solid Geometry Concepts

| | |
|---|------|
| Introduction | 3-3 |
| Binary Tree | 3-4 |
| The Locator Design | 3-5 |
| Modeling Strategy – CSG Binary Tree | 3-6 |
| Starting SOLIDWORKS and Activating the Command Manager | 3-7 |
| <i>GRID</i> and <i>SNAP</i> Intervals Auto-Rotate Setup | 3-9 |
| Base Feature | 3-10 |
| Repositioning Dimensions | 3-12 |
| Completing the Base Solid Feature | 3-13 |
| Creating the Next Solid Feature | 3-14 |
| Creating an Extruded Cut Feature | 3-17 |
| Creating a Hole with the Hole Wizard | 3-20 |
| Creating a Rectangular Extruded Cut Feature | 3-23 |
| Using the View Selector | 3-25 |
| Questions | 3-27 |
| Exercises | 3-28 |

Chapter 4**Geometric Constructions**

| | |
|---|------|
| Geometric Constructions | 4-3 |
| Geometric Constructions - Classical Methods | 4-4 |
| • Bisection of a Line or Arc | 4-4 |
| • Bisection of an Angle | 4-5 |
| • Transfer of an Angle | 4-6 |
| • Dividing a Given Line into a Number of Equal Parts | 4-7 |
| • Circle through Three Points | 4-8 |
| • A Line Tangent to a Circle | 4-9 |
| • Line Tangent to a circle from a Given Point | 4-10 |
| • Circle of a Given Radius Tangent to Two Given Lines | 4-11 |
| • Circle of a Given Radius Tangent to an Arc and a Line | 4-12 |
| • Circle of a Given Radius Tangent to Two Arcs | 4-13 |
| Starting SOLIDWORKS | 4-14 |
| Geometric Construction – CAD Method | 4-16 |
| • Bisection of a Line or Arc | 4-16 |
| Dimensions and Relations | 4-18 |
| Geometric Symbols available in parametric sketching | 4-19 |
| • Bisection of an Angle | 4-20 |
| • Dividing a Given Line into a Number of Equal Parts | 4-22 |
| • Circle through Three Points | 4-29 |
| • Line Tangent to a circle from a Given Point | 4-30 |
| • Circle of a Given Radius Tangent to Two Given Lines | 4-31 |
| Adding Geometric Relations and Fully Defined Geometry | 4-34 |
| Starting SOLIDWORKS | 4-34 |
| Over-Defining and Driven Dimensions | 4-41 |
| Deleting Existing Relations | 4-42 |
| Using the Fully Define Sketch Tool | 4-43 |
| Adding Additional Geometry | 4-44 |
| Adding New Equations | 4-49 |
| Questions | 4-51 |
| Exercises | 4-52 |

Chapter 5**Feature Design Tree**

| | |
|---|------|
| Introduction | 5-3 |
| Starting SOLIDWORKS | 5-4 |
| Creating a User-Defined Part Template | 5-5 |
| The <i>Saddle Bracket</i> Design | 5-9 |
| Modeling Strategy | 5-10 |
| The SOLIDWORKS <i>Feature Manager Design Tree</i> | 5-11 |
| Creating the Base Feature | 5-11 |
| Adding the Second Solid Feature | 5-14 |

| | |
|---|------|
| Creating a 2D Sketch | 5-15 |
| Renaming the Part Features | 5-17 |
| Adjusting the Width of the Base Feature | 5-18 |
| Adding a Cut Feature | 5-19 |
| Creating a Rectangular Extruded Cut Feature | 5-22 |
| History-Based Part Modifications | 5-23 |
| A Design Change | 5-24 |
| Feature Manager Design Tree Views | 5-26 |
| Questions | 5-28 |
| Exercises | 5-29 |

Chapter 6

Geometric Construction Tools

| | |
|---|------|
| Introduction | 6-3 |
| The Gasket Design | 6-3 |
| Modeling Strategy | 6-4 |
| Starting SOLIDWORKS | 6-5 |
| Creating a 2D Sketch | 6-6 |
| Editing the Sketch by Dragging the Entities | 6-8 |
| Adding Additional Relations | 6-10 |
| Using the <i>Trim</i> and <i>Extend</i> Commands | 6-11 |
| Adding Dimensions with the Fully Define Sketch Tool | 6-14 |
| Fully Defined Geometry | 6-16 |
| Creating Fillets and Completing the Sketch | 6-17 |
| Profile Sketch | 6-18 |
| Redefining the Sketch and Profile using Contour Selection | 6-19 |
| Create an OFFSET Extruded Cut Feature | 6-23 |
| Questions | 6-27 |
| Exercises | 6-28 |

Chapter 7

Orthographic Projections and Multiview Constructions

| | |
|---|------|
| Introduction | 7-3 |
| Basic Principles of Projection | 7-4 |
| Orthographic Projection | 7-4 |
| Multiview Orthographic Projection | 7-5 |
| First-Angle Projection | 7-6 |
| Rotation of the Horizontal and Profile Planes | 7-7 |
| The 3D Adjuster Model and 1 st angle projection | 7-8 |
| General Procedure: 1 st Angle Orthographic Projection | 7-9 |
| Example 1: 1 st Angle Orthographic Projection | 7-10 |
| Chapter 7 - 1 st Angle Orthographic Sketching Exercise 1 | 7-11 |
| Chapter 7 - 1 st Angle Orthographic Sketching Exercise 2 | 7-13 |
| Chapter 7 - 1 st Angle Orthographic Sketching Exercise 3 | 7-15 |
| Chapter 7 - 1 st Angle Orthographic Sketching Exercise 4 | 7-17 |

| | |
|---|------|
| Chapter 7 - 1 st Angle Orthographic Sketching Exercise 5 | 7-19 |
| Chapter 7 - 1 st Angle Orthographic Sketching Exercise 6 | 7-21 |
| Third-Angle Projection | 7-23 |
| Rotation of the Horizontal and Profile Planes | 7-24 |
| The 3D Adjuster Model and 3 rd angle projection | 7-25 |
| The Glass Box and the Six Principal Views | 7-26 |
| General Procedure: 3 rd Angle Orthographic Projection | 7-28 |
| Example 2: 3 rd Angle Orthographic Projection | 7-29 |
| Example 3: 3 rd Angle Orthographic Projection | 7-30 |
| Chapter 7 - 3 rd Angle Orthographic Sketching Exercise 1 | 7-31 |
| Chapter 7 - 3 rd Angle Orthographic Sketching Exercise 2 | 7-33 |
| Chapter 7 - 3 rd Angle Orthographic Sketching Exercise 3 | 7-35 |
| Chapter 7 - 3 rd Angle Orthographic Sketching Exercise 4 | 7-37 |
| Chapter 7 - 3 rd Angle Orthographic Sketching Exercise 5 | 7-39 |
| Chapter 7 - 3 rd Angle Orthographic Sketching Exercise 6 | 7-41 |
| Alphabet of Lines | 7-43 |
| Precedence of Lines | 7-45 |
| The U-Bracket Design | 7-46 |
| Starting SOLIDWORKS | 7-46 |
| Applying the BORN Technique | 7-47 |
| Creating the 2D Sketch of the Base Feature | 7-48 |
| Creating the First Extrude Feature | 7-55 |
| The Implied Parent/Child Relationships | 7-55 |
| Creating the Second Solid Feature | 7-56 |
| Creating the First Extruded Cut Feature | 7-59 |
| Creating the Second Extruded Cut Feature | 7-60 |
| Examining the Parent/Child Relationships | 7-62 |
| Modify a Parent Dimension | 7-63 |
| A Design Change | 7-64 |
| Feature Suppression | 7-65 |
| A Different Approach to the CENTER_DRILL Feature | 7-66 |
| Suppress the Rect_Cut Feature | 7-67 |
| Creating a Circular Extruded Cut Feature | 7-68 |
| A Flexible Design Approach | 7-70 |
| Drawings from Parts and Associative Functionality | 7-71 |
| Drawing Mode | 7-72 |
| Setting Document Properties | 7-74 |
| Setting Sheet Properties using the Pre-Defined Sheet Formats | 7-75 |
| Creating Three Standard Views | 7-76 |
| Repositioning Views | 7-76 |
| Adding a New Sheet | 7-78 |
| Adding a Base View | 7-79 |
| Adding an Isometric View using the View Palette | 7-82 |
| Adjusting the View Scale | 7-83 |
| Questions | 7-85 |
| Exercises | 7-86 |

Chapter 8**Dimensioning and Notes**

| | |
|---|------|
| Introduction | 8-3 |
| Dimensioning Standards and Basic Terminology | 8-4 |
| Selection and Placement of Dimensions and Notes | 8-5 |
| Machined Holes | 8-12 |
| Baseline and Chain Dimensioning | 8-15 |
| Dimensioning and Tolerance Accumulation | 8-16 |
| (1) Tolerance Accumulation - Baseline Dimensioning | 8-17 |
| (2) Tolerance Accumulation - Chain Dimensioning | 8-18 |
| (3) Avoid Tolerance Accumulation - Dimensioning Features | 8-19 |
| Dimensioning Tools in SOLIDWORKS | 8-20 |
| The U-Bracket Design | 8-20 |
| Start SOLIDWORKS | 8-21 |
| Display Feature Dimensions | 8-22 |
| Repositioning, Appearance, and Hiding of Feature Dimensions | 8-23 |
| Adding Additional Dimensions – Reference Dimensions | 8-25 |
| Tangent Edge Display | 8-27 |
| Adding Center Marks, Center Lines, and Sketch Objects | 8-27 |
| Edit Sheet vs. Edit Sheet Format | 8-32 |
| Modify the Title Block | 8-32 |
| Property Links | 8-35 |
| Saving the current Title Block as a new Sheet Format | 8-39 |
| Associative Functionality – Modifying Feature Dimensions | 8-40 |
| Saving the Drawing File | 8-43 |
| Create a B size Drawing Template | 8-43 |
| Questions | 8-46 |
| Exercises | 8-47 |

Chapter 9**Tolerancing and Fits**

| | |
|---|------|
| Precision and Tolerance | 9-2 |
| Methods of Specifying Tolerances – English System | 9-3 |
| Nomenclature | 9-4 |
| Example 9.1 | 9-5 |
| Fits between Mating parts | 9-6 |
| Selective Assembly | 9-7 |
| Basic Hole and Basic Shaft Systems | 9-7 |
| American National Standard Limits and Fits – Inches | 9-8 |
| Example 9.2 Basic Hole System | 9-13 |
| Example 9.3 Basic Hole System | 9-14 |
| Example 9.4 Basic Shaft System | 9-15 |
| Example 9.5 Basic Shaft System | 9-16 |
| Tolerancing – Metric System | 9-17 |
| Metric Tolerances and Fits Designation | 9-18 |

| | |
|--------------------------------------|------|
| Preferred ISO Metric Fits | 9-19 |
| Example 9.6 Metric Hole Basis System | 9-20 |
| Example 9.7 Shaft Basis System | 9-21 |
| Updating the U-Bracket Drawing | 9-22 |
| Determining the Tolerances Required | 9-23 |
| Questions | 9-25 |
| Exercises | 9-26 |

Chapter 10

Pictorials and Sketching

| | |
|--|-------|
| Engineering Drawings, Pictorials and Sketching | 10-2 |
| Isometric Sketching | 10-7 |
| Chapter 10 - Isometric Sketching Exercise 1 | 10-9 |
| Chapter 10 - Isometric Sketching Exercise 2 | 10-11 |
| Chapter 10 - Isometric Sketching Exercise 3 | 10-13 |
| Chapter 10 - Isometric Sketching Exercise 4 | 10-15 |
| Chapter 10 - Isometric Sketching Exercise 5 | 10-17 |
| Chapter 10 - Isometric Sketching Exercise 6 | 10-19 |
| Chapter 10 - Isometric Sketching Exercise 7 | 10-21 |
| Chapter 10 - Isometric Sketching Exercise 8 | 10-23 |
| Chapter 10 - Isometric Sketching Exercise 9 | 10-25 |
| Chapter 10 - Isometric Sketching Exercise 10 | 10-27 |
| Oblique Sketching | 10-29 |
| Chapter 10 - Oblique Sketching Exercise 1 | 10-31 |
| Chapter 10 - Oblique Sketching Exercise 2 | 10-33 |
| Chapter 10 - Oblique Sketching Exercise 3 | 10-35 |
| Chapter 10 - Oblique Sketching Exercise 4 | 10-37 |
| Chapter 10 - Oblique Sketching Exercise 5 | 10-39 |
| Chapter 10 - Oblique Sketching Exercise 6 | 10-41 |
| Perspective Sketching | 10-43 |
| One-Point Perspective | 10-44 |
| Two-Point Perspective | 10-45 |
| Chapter 10 - Perspective Sketching Exercise 1 | 10-47 |
| Chapter 10 - Perspective Sketching Exercise 2 | 10-49 |
| Chapter 10 - Perspective Sketching Exercise 3 | 10-51 |
| Chapter 10 - Perspective Sketching Exercise 4 | 10-53 |
| Chapter 10 - Perspective Sketching Exercise 5 | 10-55 |
| Chapter 10 - Perspective Sketching Exercise 6 | 10-57 |
| Questions | 10-59 |
| Exercises | 10-60 |

Chapter 11

Section Views & Symmetrical Features in Designs

| | |
|--------------|------|
| Introduction | 11-3 |
|--------------|------|

| | |
|---|-------|
| General Rules of Section Views | 11-5 |
| Section Drawing Types | 11-6 |
| • Full Section | 11-6 |
| • Half Section | 11-6 |
| • Offset Section | 11-7 |
| • Broken-Out Section | 11-7 |
| • Aligned Section | 11-8 |
| • Half Views | 11-8 |
| • Thin Sections | 11-8 |
| • Revolved Section | 11-9 |
| • Removed Section | 11-9 |
| • Conventional Breaks | 11-10 |
| • Ribs and Webs in Sections | 11-10 |
| • Parts Not Sectioned | 11-10 |
| Section Views in SOLIDWORKS | 11-11 |
| A Revolved Design: PULLEY | 11-11 |
| Modeling Strategy - A Revolved Design | 11-12 |
| Starting SOLIDWORKS | 11-13 |
| Creating the Base Feature | 11-13 |
| Creating the Revolved Feature | 11-17 |
| Mirroring Features | 11-17 |
| Creating an Extruded Cut Feature with Construction Geometry | 11-19 |
| Circular Pattern | 11-24 |
| Drawing Mode – Defining a New Border and Title Block | 11-26 |
| Create a New Drawing Template | 11-30 |
| Creating Views | 11-31 |
| Retrieve Dimensions – Model Items Command | 11-34 |
| Save the Drawing File | 11-35 |
| Associative Functionality – A Design Change | 11-36 |
| Adding Centerlines to the Pattern Feature | 11-38 |
| Completing the Drawing | 11-40 |
| Additional Title Blocks | 11-43 |
| Questions | 11-45 |
| Exercises | 11-46 |

Chapter 12

Auxiliary Views and Reference Geometry

| | |
|---|-------|
| Introduction | 12-3 |
| Normal View of an Inclined Surface | 12-4 |
| Construction Method I – Folding Line Method | 12-6 |
| Construction Method II – Reference Plane Method | 12-8 |
| Partial Views | 12-10 |
| Reference Geometry in SOLIDWORKS | 12-11 |
| Auxiliary Views in 2D Drawings | 12-11 |
| The <i>Rod-Guide</i> Design | 12-11 |

| | |
|---|-------|
| Modeling Strategy | 12-12 |
| Starting SOLIDWORKS | 12-13 |
| Applying the BORN Technique | 12-13 |
| Creating the Base Feature | 12-14 |
| Creating an Angled Reference Plane | 12-16 |
| Creating an Extruded Feature on the Reference Plane | 12-19 |
| Using the Convert Entities Option | 12-19 |
| Completing the Solid Feature | 12-25 |
| Creating an Offset Reference Plane | 12-26 |
| Creating another Extruded Feature using the Reference Plane | 12-27 |
| Starting a New 2D Drawing and Adding a Base View | 12-29 |
| Creating an Auxiliary View | 12-30 |
| Displaying Feature Dimensions | 12-32 |
| Adjusting the View Scale | 12-34 |
| Repositioning, Appearance, and Hiding of Feature Dimensions | 12-34 |
| Tangent Edge Display | 12-37 |
| Adding Center Marks and Center Lines | 12-37 |
| Controlling the View and Sheet Scales | 12-40 |
| Completing the Drawing Sheet | 12-41 |
| Editing the Isometric view | 12-42 |
| Adding a General Note | 12-42 |
| Questions | 12-44 |
| Exercises | 12-45 |

Chapter 13

Introduction to 3D Printing

| | |
|--|-------|
| What is 3D Printing | 13-2 |
| Development of 3D Printing Technologies | 13-3 |
| Primary types of 3D Printing processes | 13-6 |
| Stereolithography | 13-6 |
| Fused Deposition Modeling & Fused Filament Fabrication | 13-7 |
| Laser Sintering / Laser Melting | 13-8 |
| Primary 3D Printing Materials for FDM and FFF | 13-9 |
| From 3D model to 3D printed Part | 13-11 |
| Starting SOLIDWORKS | 13-12 |
| SOLIDWORKS Print3D Command | 13-13 |
| Using the 3D Printing software to create the 3D Print | 13-18 |
| Questions | 13-26 |

Chapter 14

Threads and Fasteners

| | |
|--------------------------|------|
| Introduction | 14-2 |
| Screw-Thread Terminology | 14-3 |
| Thread Forms | 14-5 |

| | |
|--|-------|
| Thread Representations | 14-6 |
| • Detailed Representation | 14-7 |
| • Schematic Representation | 14-8 |
| • Simplified Representation | 14-9 |
| Thread Specification – English Units | 14-10 |
| Unified Thread Series | 14-11 |
| Thread Fits | 14-12 |
| Thread Specification – Metric | 14-12 |
| Thread Notes Examples | 14-13 |
| Specifying Fasteners | 14-14 |
| Commonly Used Fasteners | 14-15 |
| Drawing Standard Bolts | 14-17 |
| Bolt and Screw Clearances | 14-17 |
| Fasteners using SOLIDWORKS’ Design Library | 14-18 |
| ANSI Inch - Machine Screw | 14-18 |
| ANSI Metric - Machine Screw | 14-20 |
| Questions | 14-22 |

Chapter 15

Assembly Modeling and Working Drawings

| | |
|--|-------|
| General Engineering Design Process | 15-3 |
| Working Drawings | 15-4 |
| Detail Drawings | 15-4 |
| Assembly Drawings | 15-5 |
| Bill of Materials (BOM) and Parts List | 15-5 |
| Drawing Sizes | 15-6 |
| Drawing Sheet Borders and Revisions Block | 15-6 |
| Title Blocks | 15-7 |
| Working Drawings with SOLIDWORKS | 15-8 |
| Assembly Modeling Methodology | 15-8 |
| The Shaft Support Assembly | 15-9 |
| Parts | 15-9 |
| Creating the Collar with the Chamfer Command | 15-9 |
| Creating the Bearing and Base-Plate | 15-11 |
| Creating the Cap-Screw | 15-12 |
| Starting SOLIDWORKS | 15-13 |
| Document Properties | 15-13 |
| Insert the First Component | 15-14 |
| Insert the Second Component | 15-15 |
| Degrees of Freedom | 15-16 |
| Assembly Mates | 15-16 |
| Apply the First Assembly Mate | 15-18 |
| Apply a Second Mate | 15-19 |
| Constrained Move | 15-21 |
| Apply a Third Mate | 15-22 |

| | |
|--|-------|
| Inserting the Third Component | 15-24 |
| Applying Concentric and Coincident Mates | 15-24 |
| Assemble the Cap-Screws using SmartMates | 15-26 |
| Exploded View of the Assembly | 15-30 |
| Save the Assembly Model | 15-32 |
| Editing the Components | 15-32 |
| Set up a Drawing of the Assembly Model | 15-34 |
| Creating a Bill of Materials | 15-35 |
| Editing the Bill of Materials | 15-37 |
| Completing the Assembly Drawing | 15-41 |
| Exporting the Bill of Materials | 15-43 |
| Questions | 15-44 |
| Exercises | 15-45 |

Chapter 16

CSWA Exam Preparation

| | |
|--|-------|
| Tips about Taking the Certified SOLIDWORKS Associate Examination | 16-3 |
| Introduction | 16-4 |
| The Part Problem | 16-5 |
| Strategy for Aligning the Part to the Default Axis System | 16-6 |
| Creating the Base Feature | 16-6 |
| Creating a New View Orientation | 16-9 |
| Create Reference Planes and a Reference Axis | 16-10 |
| Selecting the Material and Viewing the Mass Properties | 16-16 |
| The Assembly Problem | 16-19 |
| Creating the Parts | 16-20 |
| Creating the Assembly | 16-21 |
| Creating a Reference Coordinate System | 16-27 |
| View the Mass Properties | 16-29 |
| Questions | 16-31 |
| Exercises | 16-32 |

Appendix

- A. Running and Sliding Fits – American National Standard
- B. Metric Limits and Fits
- C. UNIFIED NATIONAL THREAD FORM
- D. METRIC THREAD FORM
- E. FASTENERS (INCH SERIES)
- F. METRIC FASTENERS
- G. BOLT AND SCREW CLEARANCE HOLES
- H. REFERENCES

Index