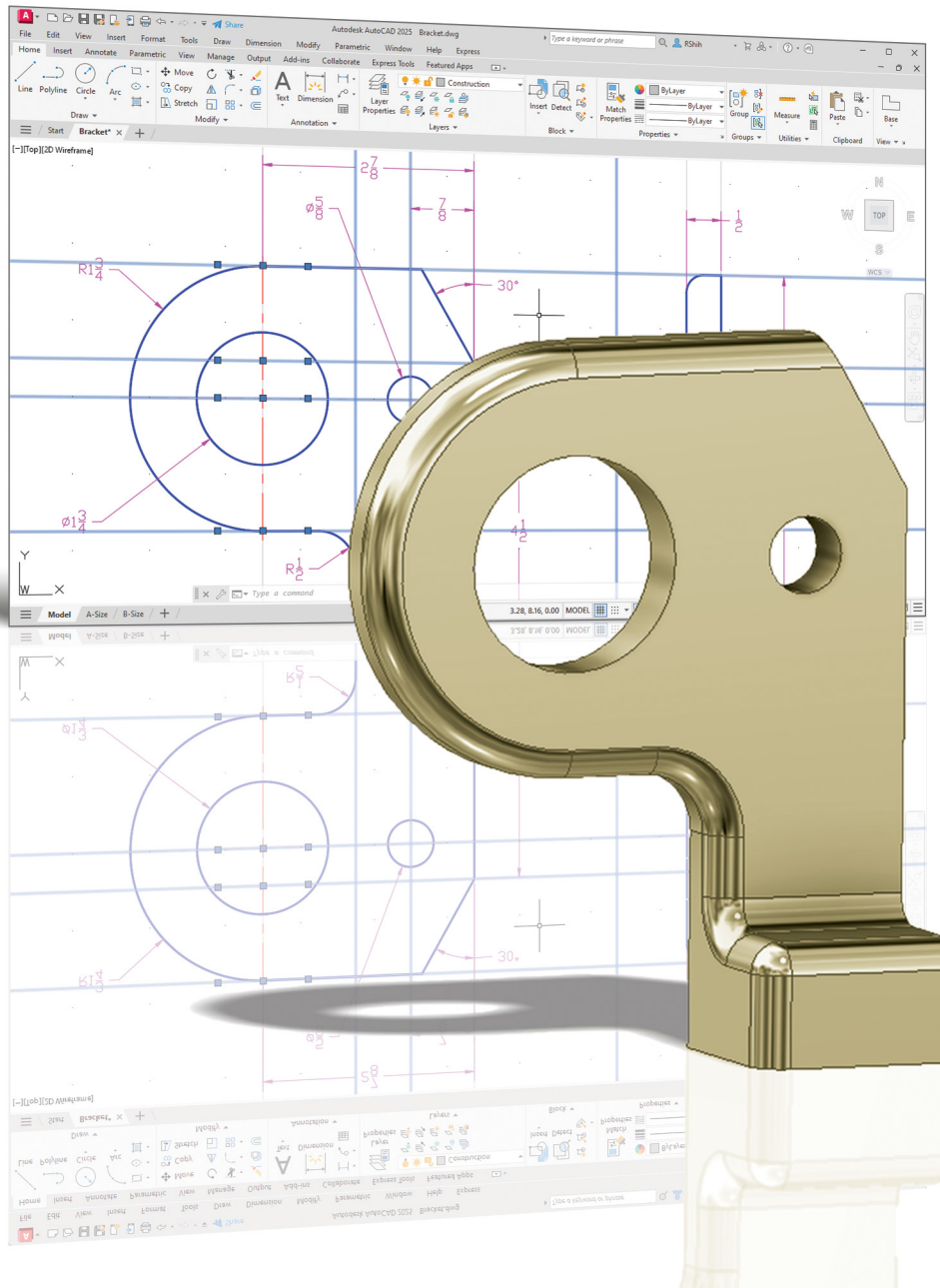


VIDEOS
Includes Extensive
Video Training

AutoCAD® 2025 Tutorial

First Level 2D Fundamentals



Randy H. Shih
Luke Jumper



Visit the following websites to learn more about this book:



[amazon.com](https://www.amazon.com)

[Google books](https://books.google.com)

[BARNES & NOBLE](https://www.barnesandnoble.com)

Table of Contents

Preface	i
Acknowledgments	ii
Notes on using this book to prepare for the AutoCAD Certified User Examination	iii
AutoCAD Certified User Examination Reference Guide	iv
Tips on Taking the AutoCAD Certified User Examination	x
Introduction	
Getting Started	
Introduction	Intro-2
Development of Computer Geometric Design	Intro-2
Why use AutoCAD 2025?	Intro-5
Getting Started with AutoCAD 2025	Intro-7
AutoCAD 2025 Screen Layout	Intro-8
Application Menu	Intro-9
Quick Access Toolbar	Intro-9
AutoCAD Menu Bar	Intro-9
Layout Tabs	Intro-9
Drawing Area	Intro-10
Graphics Cursor or Crosshairs	Intro-10
Command Prompt Area	Intro-10
Cursor Coordinates	Intro-10
Status Toolbar	Intro-10
Ribbon Tabs and Panels	Intro-11
Draw and Modify Toolbar Panel	Intro-11
Layers Control Toolbar Panel	Intro-11
Viewport/View/Display Controls	Intro-11
Mouse Buttons	Intro-12
[Esc] - Canceling Commands	Intro-12
Online Help	Intro-13
Leaving AutoCAD 2025	Intro-14
Creating a CAD File Folder	Intro-14
Chapter 1	
AutoCAD Fundamentals	
AutoCAD Certified User Examination Objectives Coverage	1-2
Introduction	1-3
Starting Up AutoCAD 2025	1-3
Drawing Units Setup	1-5
Drawing Area Setup	1-6
Drawing Lines with the Line Command	1-8

Visual Reference	1-10
GRID ON	1-11
SNAP Mode ON	1-12
Using the Erase Command	1-13
Repeat the Last Command	1-14
The CAD Database and the User Coordinate System	1-15
Changing to the 2D UCS Icon Display	1-16
Cartesian and Polar Coordinate Systems	1-17
Absolute and Relative Coordinates	1-17
Defining Positions	1-18
Grid Style Setup	1-18
The Guide Plate	1-19
Creating Circles	1-23
Saving the CAD Design	1-25
Close the Current Drawing	1-26
The Spacer Design	1-27
Start a New Drawing	1-27
Drawing Units Setup	1-28
Drawing Area Setup	1-29
Use the Line Command	1-31
Use the Erase Command	1-33
Using the Arc Command	1-33
Using the Circle Command	1-35
Saving the CAD Design	1-36
Exit AutoCAD	1-36
Review Questions	1-37
Exercises	1-38

Chapter 2

Basic Object Construction Tools

AutoCAD Certified User Examination Objectives Coverage	2-2
Introduction	2-3
Starting Up AutoCAD 2025	2-3
Dynamic Input	2-4
The RockerArm Design	2-7
Activate the Startup Option	2-8
Drawing Units Display Setup	2-9
GRID and SNAP Intervals Setup	2-10
Drawing Area Setup	2-11
Referencing the World Coordinate System	2-12
Creating Circles	2-13
Object Snap Toolbar	2-14
Using the Line command	2-15
Creating a TTR Circle	2-17
Using the Trim Command	2-19

Using the Polygon Command	2-21
Creating a Concentric Circle	2-23
Using the QuickCalc Calculator to Measure Distance and Angle	2-24
Saving the CAD file	2-28
Exit AutoCAD	2-28
AutoCAD Quick Keys	2-29
Review Questions	2-30
Exercises	2-31

Chapter 3

Geometric Construction and Editing Tools

AutoCAD Certified User Examination Objectives Coverage	3-2
Geometric Constructions	3-4
Starting Up AutoCAD 2025	3-5
Geometric Construction - CAD Method	3-6
Bisection of a Line or Arc	3-6
Bisection of an Angle	3-9
Transfer of an Angle	3-11
Dividing a Given Line into a Number of Equal Parts	3-14
Circle through Three Points	3-16
Line Tangent to a Circle from a Given Point	3-17
Circle of a Given Radius Tangent to Two Given Lines	3-18
The Gasket Design	3-21
Drawing Units Display Setup	3-22
GRID and SNAP Intervals Setup	3-23
Using the LINE Command with ORTHO Option	3-24
Object Snap Toolbar	3-26
Using the Extend Command	3-29
Using the Trim Command	3-30
Creating a TTR Circle	3-31
Using the Fillet Command	3-32
Converting Objects into a Polyline	3-33
Using the Offset Command	3-34
Using the Area Inquiry Tool to Measure Area and Perimeter	3-35
Using the Explode Command	3-37
Create another Fillet	3-37
Saving the CAD file	3-38
Exit AutoCAD	3-38
Review Questions	3-39
Exercises	3-40

Chapter 4

Object Properties and Organization

AutoCAD Certified User Examination Objectives Coverage	4-2
Introduction	4-3
The Floor Plan Design	4-3
Starting Up AutoCAD 2025	4-4
Using the Setup Wizard	4-4
Drawing Units Setup	4-5
Reference Area Setup	4-5
GRID and SNAP Intervals Setup	4-6
Using the Zoom Extents Command in the Navigation Bar	4-7
The AutoCAD Multiline Command	4-7
Object Snap Toolbar	4-10
Drawing Multilines	4-11
Creating Interior Walls	4-14
Joining the Walls using Multiline Edit	4-17
Using Layers and Object Properties	4-19
Using the Zoom Realtime option	4-22
Modeling the Bathroom	4-23
Controlling Layer Visibility	4-25
Adding a New Layer	4-25
Moving Objects to a Different Layer	4-26
Matching Layer Properties	4-27
Review Questions	4-29
Exercises	4-30

Chapter 5

Orthographic Views in Multiview Drawings

AutoCAD Certified User Examination Objectives Coverage	5-2
Introduction	5-3
The Locator Design	5-3
The Locator Part	5-4
Starting Up AutoCAD 2025	5-4
Layers Setup	5-5
Drawing Construction Lines	5-6
Using the Offset Command	5-6
Set Layer Object as the Current Layer	5-8
Using the Running Object Snaps	5-8
Creating Object Lines	5-10
Turn Off the Construction Lines Layer	5-11
Adding More Objects in the Front View	5-11
AutoCAD's AutoSnap™ and AutoTrack™ Features	5-12
Adding More Objects in the Top View	5-14
Drawing Using the Miter Line Method	5-18
More Layers Setup	5-20

Top View to Side View Projection	5-21
Completing the Front View	5-23
Object Information Using the List Command	5-25
Object Information Using the Properties Command	5-26
Review Questions	5-27
Exercises	5-28

Chapter 6

Basic Dimensioning and Notes

AutoCAD Certified User Examination Objectives Coverage	6-2
Introduction	6-3
The Bracket Design	6-3
Starting Up AutoCAD 2025	6-4
Layers Setup	6-5
The Bracket Design	6-6
LineWeight Display Control	6-6
Drawing Construction Lines	6-7
Using the Offset Command	6-7
Set Layer Object_Lines as the Current Layer	6-9
Creating Object Lines	6-9
Creating Hidden Lines	6-10
Creating Center Lines	6-11
Turn Off the Construction Lines	6-11
Using the Fillet Command	6-12
Saving the Completed CAD Design	6-13
Accessing the Dimensioning Commands	6-14
The Dimension Toolbar	6-15
Using Dimension Style Manager	6-15
Dimensions Nomenclature and Basics	6-16
Using the Center Mark Command	6-19
Adding Linear Dimensions	6-20
Adding an Angular Dimension	6-21
Adding Radius and Diameter Dimensions	6-22
Using the Multiline Text Command	6-23
Adding Special Characters	6-24
Saving the Design	6-25
A Special Note on Layers Containing Dimensions	6-25
Review Questions	6-26
Exercises	6-27

Chapter 7

Symmetrical Features and Templates

AutoCAD Certified User Examination Objectives Coverage	7-2
--	-----

Introduction	7-3
The Geneva Cam Design	7-3
Starting Up AutoCAD 2025	7-4
Setting up the Plot Style Mode	7-5
Starting a New File	7-7
Grid and Snap Intervals Setup	7-8
Layers Setup	7-9
Adding Borders and Title Block in the Layout	7-10
Create a Template File	7-13
Exit AutoCAD 2025	7-14
Starting Up AutoCAD 2025	7-14
The Geneva Cam Drawing	7-15
Drawing Construction Lines	7-16
Creating Object Lines	7-17
Using the Offset Command	7-18
Using the Mirror Command	7-20
Using the Array Command	7-21
Creating a Viewport Inside the Title Block	7-24
Viewport Properties	7-25
Hide the Viewport Borders	7-26
Adjusting the Dimension Scale	7-26
Plot/Print the Drawing – Color or Grey Scale Prints	7-28
Create a B size Layout of the design	7-30
Adjust the Dimension Scale for the B size Print	7-34
Additional Title Blocks	7-36
Review Questions	7-38
Exercises	7-39

Chapter 8

Parametric Drawing Tools

AutoCAD Certified User Examination Objectives Coverage	8-2
Introduction	8-3
Starting Up AutoCAD 2025	8-5
Layers Setup	8-5
Creating Rough Sketches	8-6
Parametric Drawing Tools	8-8
Applying Geometric Constraints	8-9
Applying Dimensional Constraints	8-12
Additional Geometric and Dimensional Constructions	8-14
Using the Mirror Command	8-25
Using the Trim Command	8-26
Using the Auto Constrain Command	8-28
Creating and Constraining Additional Circles	8-30
Control the Display of Constraints	8-33
The Implicit Geometric Constraint Approach	8-34

Review Questions	8-40
Exercises	8-41

Chapter 9

Auxiliary Views and Editing with GRIPS

AutoCAD Certified User Examination Objectives Coverage	9-2
Introduction	9-3
The V-Block Design	9-3
The V-Block Example	9-4
Starting Up AutoCAD 2025	9-4
Setting up the Principal Views	9-5
Setting up the Top View	9-8
Using the Offset Command	9-9
Creating Object Lines in the Front View	9-11
Setting the Polar Tracking Option	9-12
Setting up the Auxiliary View	9-15
Aligning the Auxiliary View to the Front View	9-16
Creating the V-cut in the Auxiliary View	9-16
Creating the V-cut in the Front View and Top View	9-19
Setting the Polar Tracking Option	9-21
Completing the Top View	9-21
Edit the Plot Style Table – Black and White Prints	9-24
Start a new drawing for a Metric Template File	9-27
Layers Setup	9-28
Set up the Metric Borders and Title Block by Copy & Paste	9-29
Review Questions	9-34
Exercises	9-35

Chapter 10

Section Views

AutoCAD Certified User Examination Objectives Coverage	10-2
Introduction	10-3
The Bearing Design	10-3
Starting Up AutoCAD 2025	10-4
The Bearing Design	10-5
Setting up the Principal Views	10-5
Creating Object Lines in the Front View	10-7
Editing the Circles	10-9
Setting up the Side View	10-10
Adding Hidden Lines in the Side View	10-12
Changing the Linetype Scale Property	10-14
Stretching and Moving Objects with Grips	10-15
Drawing a Cutting Plane Line	10-16
Converting the Side View into a Section View	10-19

Adding Section Lines	10-21
Review Questions	10-24
Exercises	10-25

Chapter 11

Assembly Drawings and Blocks

AutoCAD Certified User Examination Objectives Coverage	11-2
Introduction	11-3
The Shaft Support Subassembly	11-4
Additional Parts	11-4
(1) Cap-Screw	11-4
(2) Collar	11-5
(3) Base-Plate	11-5
Starting Up AutoCAD 2025 and Loading Multiple Drawings	11-6
Using AutoCAD with the Internet	11-7
Rearrange the Displayed Windows	11-8
Defining a Block	11-9
Insert and Rotate a Block	11-11
Starting the Assembly Drawing	11-12
Copying and Pasting with the Windows Clipboard	11-13
Converting the View into a Section View	11-14
Adding the Bearing to the Assembly	11-16
Adding the Cap-Screws to the Assembly	11-19
Creating Callouts with the Multileader Command	11-21
Creating a Viewport in the A-Size Layout	11-24
Viewport Properties	11-25
Adding a Parts List to the Assembly Drawing	11-26
Review Questions	11-32
Exercises	11-33

Chapter 12

AutoCAD 2D Isometric Drawings

Introduction	12-2
The Angle Support Design	12-3
Starting Up AutoCAD 2025	12-4
AutoCAD ISOPLANE and ISODRAFT Commands	12-5
Layers Setup	12-6
Create the Base Box of the Design	12-7
Create the Design inside the Base Box	12-11
Create the Isocircle on the top face	12-14
Using the Editing Tools in an Isometric drawing	12-17
The Tube Anchor Design – Modeling Strategy	12-17
Start a New Drawing and Layers Setup	12-18
Create a Base Box of the Design	12-19
Locate the Centers for the Isocircles	12-22

Create the Isocircles	12-24
Using the Parametric tools to complete the drawing	12-31
Review Questions	12-36
Exercises	12-37

Index