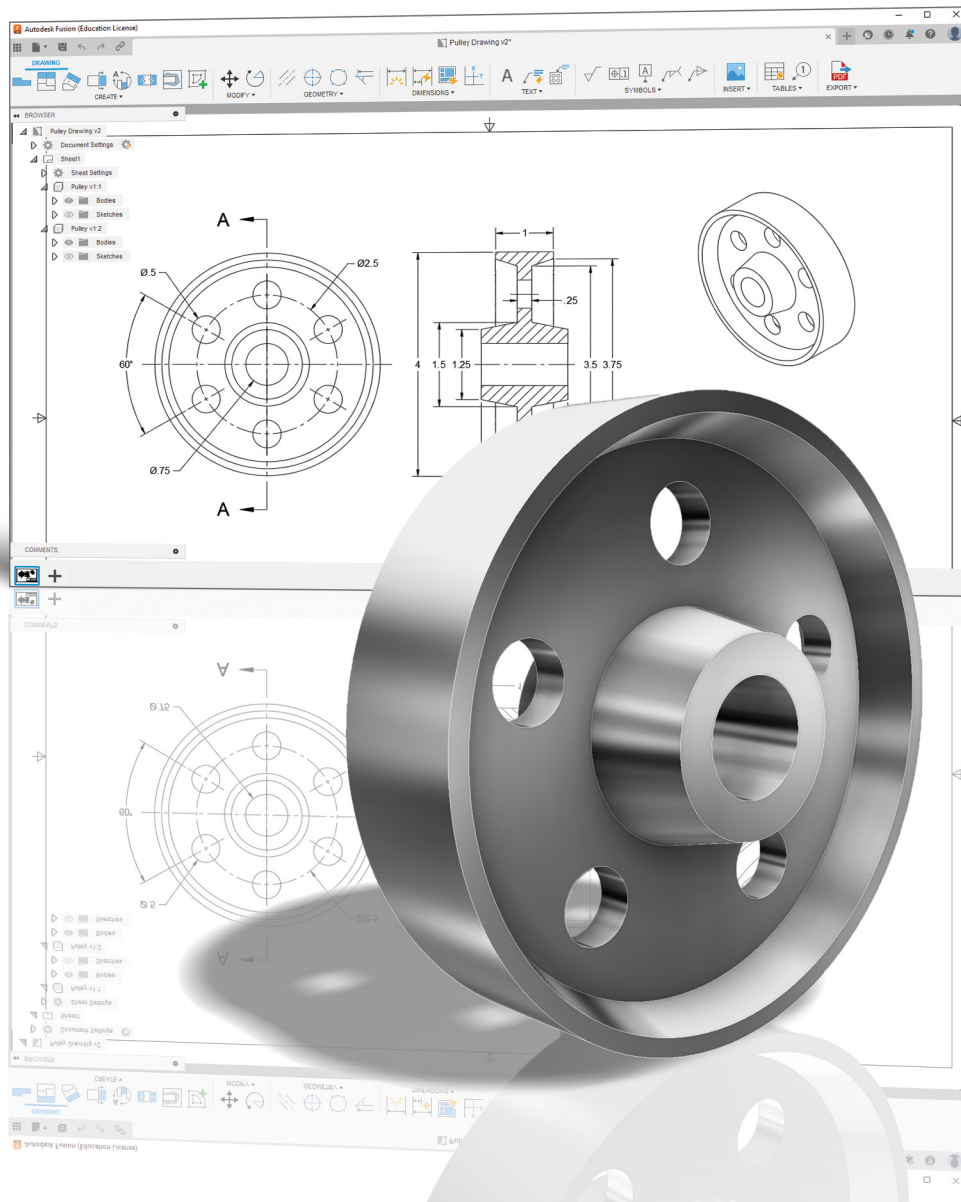


Parametric Modeling with Autodesk® Fusion™

Spring 2024 Edition



Randy H. Shih

Visit the following websites to learn more about this book:



[amazon.com](https://www.amazon.com)

[Google books](https://books.google.com)

[BARNES & NOBLE](https://www.barnesandnoble.com)

Table of Contents

| | |
|--|------|
| Preface | i |
| Acknowledgments | ii |
| Table of Contents | iii |
| | |
| Chapter 1 | |
| Introduction - Getting Started | |
| Introduction | 1-2 |
| Development of Computer Geometric Modeling | 1-2 |
| Feature-Based Parametric Modeling | 1-6 |
| Getting Started with Autodesk Fusion | 1-7 |
| The Autodesk Fusion Screen Layout | 1-8 |
| Quick Access Toolbar | 1-9 |
| Ribbon Tool Panels | 1-9 |
| Display Control Panel | 1-9 |
| View Cube | 1-9 |
| Comments Panel | 1-9 |
| Mouse Buttons | 1-10 |
| [Esc] - Canceling Commands | 1-10 |
| Autodesk Fusion Help System | 1-11 |
| Autodesk Fusion Data Management | 1-12 |
| Browser Access to Fusion | 1-15 |
| | |
| Chapter 2 | |
| Parametric Modeling Fundamentals | |
| Introduction | 2-2 |
| The Adjuster Design | 2-3 |
| Starting Autodesk Fusion | 2-3 |
| The Autodesk Fusion Screen Layout | 2-4 |
| Units Setup | 2-5 |
| Sketch Plane – It is an XY Monitor, but an XYZ World | 2-6 |
| Creating Rough Sketches | 2-8 |
| Step 1: Creating a Rough Sketch | 2-9 |
| Graphics Cursors | 2-9 |
| Geometric Constraint Symbols | 2-10 |
| Step 2: Apply/Modify Constraints and Dimensions | 2-11 |
| Dynamic Viewing Functions – Zoom and Pan | 2-14 |
| Modifying the Dimensions of the Sketch | 2-14 |
| Step 3: Completing the Base Solid Feature | 2-15 |
| Dynamic Rotation of the 3D Object - Free Orbit | 2-17 |
| Dynamic Viewing - Quick Keys | 2-19 |
| Viewing Tools – Display Control Bar and View Cube | 2-20 |
| Display Modes | 2-22 |

| | |
|--------------------------------------|------|
| Orthographic vs. Perspective | 2-22 |
| Step 4-1: Adding an Extruded Feature | 2-23 |
| Step 4-2: Adding a Cut Feature | 2-27 |
| Step 4-3: Adding another Cut Feature | 2-30 |
| Save the Model | 2-34 |
| Review Questions | 2-35 |
| Exercises | 2-36 |

Chapter 3

Constructive Solid Geometry Concepts

| | |
|-------------------------------------|------|
| Introduction | 3-2 |
| Binary Tree | 3-3 |
| The Locator Design | 3-4 |
| Modeling Strategy - CSG Binary Tree | 3-5 |
| Starting Autodesk Fusion | 3-6 |
| Model Dimensions Format | 3-7 |
| Base Feature | 3-8 |
| Modify existing Dimensions | 3-11 |
| Reposition Dimensions | 3-11 |
| Using the Measure Tool | 3-12 |
| Completing the Base Solid Feature | 3-14 |
| Creating the Next Solid Feature | 3-15 |
| Creating a CUT Feature | 3-19 |
| Creating a Placed Feature | 3-22 |
| Creating a Rectangular Cut Feature | 3-24 |
| Save the Model | 3-26 |
| Review Questions | 3-27 |
| Exercises | 3-28 |

Chapter 4

Model History Tree

| | |
|--|------|
| Introduction | 4-2 |
| The Saddle Bracket Design | 4-3 |
| Starting Autodesk Fusion | 4-3 |
| Modeling Strategy | 4-4 |
| The Autodesk Fusion Browser and Timeline Control | 4-5 |
| Create the Base Feature | 4-5 |
| Create the Second Solid Feature | 4-8 |
| Create a 2D Sketch | 4-9 |
| Renaming the Part Features | 4-11 |
| History Based Modifications to the Model | 4-12 |
| Adding a Placed Feature | 4-13 |
| Create a Rectangular Cut Feature | 4-14 |
| A Design Change - Edit the 2D sketches | 4-16 |
| Edit the Sketch through the Timeline Control | 4-18 |

| | |
|--|------|
| Direct Part Modifications | 4-19 |
| Assigning and Calculating the Associated Physical Properties | 4-21 |
| Review Questions | 4-23 |
| Exercises | 4-24 |

Chapter 5

Parametric Constraints Fundamentals

| | |
|--|------|
| CONSTRAINTS and RELATIONS | 5-2 |
| Create a Simple Triangular Plate Design | 5-2 |
| Fully Constrained Geometry | 5-3 |
| Starting Autodesk Fusion | 5-3 |
| Display and Hide Existing Constraints | 5-4 |
| Autodesk Fusion Geometric Constraints | 5-5 |
| Over-Constraining and Driven Dimensions | 5-9 |
| Delete Existing Constraints | 5-10 |
| Add the Location Dimensions | 5-11 |
| Parametric Relations | 5-16 |
| Dimensional Values and Dimensional Variables | 5-19 |
| Parametric Equations | 5-20 |
| Viewing the Established Parameters and Relations | 5-21 |
| Use the Measure Tools | 5-23 |
| Review Questions | 5-26 |
| Exercises | 5-27 |

Chapter 6

Geometric Construction Tools

| | |
|---|------|
| Introduction | 6-2 |
| The Gasket Design | 6-2 |
| Modeling Strategy | 6-3 |
| Starting Autodesk Fusion | 6-4 |
| Create the first 2D Sketch | 6-5 |
| Edit the Sketch by Dragging the Sketched Entities | 6-8 |
| Adding Dimensions and Constraints | 6-9 |
| Use the Trim and Extend Commands | 6-10 |
| Create Fillets and Completing the Sketch | 6-12 |
| Fully Constrained Geometry | 6-13 |
| Profile Sketch | 6-14 |
| Redefine the Sketch and Profile | 6-15 |
| Create an Offset Cut Feature | 6-18 |
| Review Questions | 6-22 |
| Exercises | 6-23 |

Chapter 7

Parent/Child Relationships and the BORN Technique

| | |
|---|------|
| Introduction | 7-2 |
| The BORN Technique | 7-2 |
| The U-Bracket Design | 7-3 |
| Apply the BORN Technique | 7-4 |
| Create the 2D Sketch for the Base Feature | 7-6 |
| Create the First Extrude Feature | 7-9 |
| The Implied Parent/Child Relationships | 7-10 |
| Create the Second Solid Feature | 7-10 |
| Create the Rectangular Cut Feature | 7-14 |
| The Second Cut Feature | 7-15 |
| Examine the Parent/Child Relationships | 7-17 |
| Modify a Parent Dimension | 7-18 |
| A Design Change | 7-19 |
| Feature Suppression | 7-20 |
| Redefine the sketch plane of the Center_Drill Feature | 7-21 |
| Suppress the Rect_Cut Feature | 7-22 |
| Create a Circular Cut Feature | 7-23 |
| A Flexible Design Approach | 7-25 |
| View and Edit Material Properties | 7-26 |
| Predefined keyboard and mouse shortcuts in Fusion360 | 7-29 |
| Review Questions | 7-30 |
| Exercises | 7-31 |

Chapter 8

Part Drawings and Associative Functionality

| | |
|--|------|
| Drawings from Parts and Associative Functionality | 8-2 |
| Starting Autodesk Fusion | 8-3 |
| Drawing Mode - 2D Paper Space | 8-3 |
| Add a Base View | 8-5 |
| Create Projected Views | 8-6 |
| Adjust the View Scale | 8-7 |
| Repositioning Views | 8-7 |
| Add and adjust Center Marks | 8-8 |
| Add and adjust Centerline Bisectors | 8-10 |
| Dimensioning the Drawing | 8-11 |
| Repositioning Dimensions and 2D views | 8-13 |
| Drawing Dimensions Format | 8-14 |
| Complete the Drawing Sheet | 8-15 |
| Associative Functionality – Modifying Feature Dimensions | 8-16 |
| Review Questions | 8-20 |
| Exercises | 8-21 |

Chapter 9

Datum Features and Auxiliary Views

| | |
|---|------|
| Work Features | 9-2 |
| Auxiliary Views in 2D Drawings | 9-2 |
| The Rod-Guide Design | 9-2 |
| Modeling Strategy | 9-3 |
| Starting Autodesk Fusion | 9-4 |
| Creating the Base Feature | 9-4 |
| Create an Angled Work Plane | 9-7 |
| Create a 2D Sketch on the Work Plane | 9-8 |
| Use the Projected Geometry Option | 9-8 |
| Complete the Solid Feature | 9-12 |
| Create an Offset Work Plane | 9-13 |
| Create another Cut Feature Using the Work Plane | 9-14 |
| Start a New 2D Drawing | 9-16 |
| Add a Base View | 9-17 |
| Create an Auxiliary View and an ISO View | 9-18 |
| Adjust the View Scale | 9-20 |
| Add and Adjust Center Marks | 9-21 |
| Add Dimensions | 9-23 |
| Complete the Drawing Sheet | 9-24 |
| Review Questions | 9-26 |
| Exercises | 9-27 |

Chapter 10

Introduction to 3D Printing

| | |
|--|-------|
| What is 3D Printing? | 10-2 |
| Development of 3D Printing Technologies | 10-3 |
| Primary Types of 3D Printing Processes | 10-6 |
| Stereolithography | 10-6 |
| Fused Deposition Modeling & Fused Filament Fabrication | 10-7 |
| Laser Sintering / Laser Melting | 10-8 |
| Primary 3D Printing Materials for FDM and FFF | 10-9 |
| From 3D Model to 3D Printed Part | 10-11 |
| Starting Autodesk Fusion | 10-12 |
| Export the Design as an STL file | 10-13 |
| Using the 3D Printing software to create the 3D Print | 10-16 |
| Review Questions | 10-24 |

Chapter 11

Symmetrical Features in Designs

| | |
|---------------------------------------|------|
| Introduction | 11-2 |
| A Revolved Design: PULLEY | 11-2 |
| Modeling Strategy - A Revolved Design | 11-3 |

| | |
|---|-------|
| Starting Autodesk Fusion | 11-4 |
| Creating the Base Feature | 11-4 |
| Create the Revolved Feature | 11-8 |
| Mirroring Features | 11-9 |
| Create a Pattern Leader Using Construction Geometry | 11-12 |
| Circular Pattern | 11-18 |
| Start a New 2D Drawing | 11-20 |
| Add a Base View | 11-21 |
| Create a Section View | 11-22 |
| Create an Isometric View | 11-24 |
| Add Center Mark on Patterned feature | 11-25 |
| Complete the Drawing Sheet | 11-26 |
| Review Questions | 11-28 |
| Exercises | 11-29 |

Chapter 12

Advanced 3D Construction Tools

| | |
|--------------------------------------|-------|
| Introduction | 12-2 |
| A Thin-Walled Design: Dryer Housing | 12-2 |
| Modeling Strategy | 12-3 |
| Starting Autodesk Fusion | 12-4 |
| Creating the Base Feature | 12-4 |
| Create a Revolved Feature | 12-7 |
| Create Offset Work Planes | 12-8 |
| Start 2D Sketches on the Work Planes | 12-9 |
| Create a Lofted Feature | 12-12 |
| Create an Extruded Feature | 12-14 |
| Complete the Extruded Feature | 12-16 |
| Create 3D Rounds and Fillets | 12-17 |
| Create a Shell Feature | 12-18 |
| Create a Pattern Leader | 12-19 |
| Create a Rectangular Pattern | 12-22 |
| Create a Swept Feature | 12-24 |
| Define a Sweep Path | 12-24 |
| Define the Sweep Section | 12-26 |
| Complete the Swept Feature | 12-27 |
| Review Questions | 12-29 |
| Exercises | 12-30 |

Chapter 13

Sheet Metal Designs

| | |
|-----------------------------|------|
| Sheet Metal Processes | 13-2 |
| Sheet Metal Modeling | 13-4 |
| K-Factor | 13-5 |
| The Actuator Bracket Design | 13-6 |

| | |
|--|-------|
| Starting Autodesk Fusion | 13-7 |
| Sheet Metal Rules | 13-8 |
| Create the Base Feature of the Design | 13-10 |
| Create another Flat Face with the Flange command | 13-12 |
| Create a Bend Feature | 13-15 |
| Mirroring the Sheet Metal Part | 13-18 |
| Create another Flange Feature | 13-19 |
| Create a Cut Feature | 13-20 |
| Create the Associated Flat Pattern | 13-22 |
| Confirm the Flattened Length | 13-24 |
| Export the Flat Pattern as a DXF file | 13-25 |
| Review Questions | 13-26 |
| Exercise | 13-27 |

Chapter 14

Assembly Modeling - Joint & Animation

| | |
|---|-------|
| Introduction | 14-2 |
| The Crank and Slider Assembly | 14-2 |
| Assembly Modeling Methodology | 14-3 |
| Autodesk Fusion Bodies and Components | 14-4 |
| The Assembly Joint Command | 14-4 |
| The Autodesk Fusion Joint Origin | 14-8 |
| Joint Creation order – “Put This, There.” | 14-8 |
| Starting Autodesk Fusion | 14-9 |
| Creating the Base Feature | 14-9 |
| Convert the first Body to the CS-Base Component | 14-13 |
| Create the next Component | 14-14 |
| Create the CS-Rod Component | 14-16 |
| Create the CS-Slider Component | 14-17 |
| Assemble the First Component | 14-19 |
| Assemble the Second Component | 14-21 |
| Constrained Move | 14-24 |
| Assemble the CS-Rod Component | 14-24 |
| Assemble the CS-Slider Component | 14-27 |
| Apply another Joint Connection | 14-30 |
| Animate the Assembly Model | 14-32 |
| Review Questions | 14-33 |
| Exercises | 14-34 |

Appendix

Index