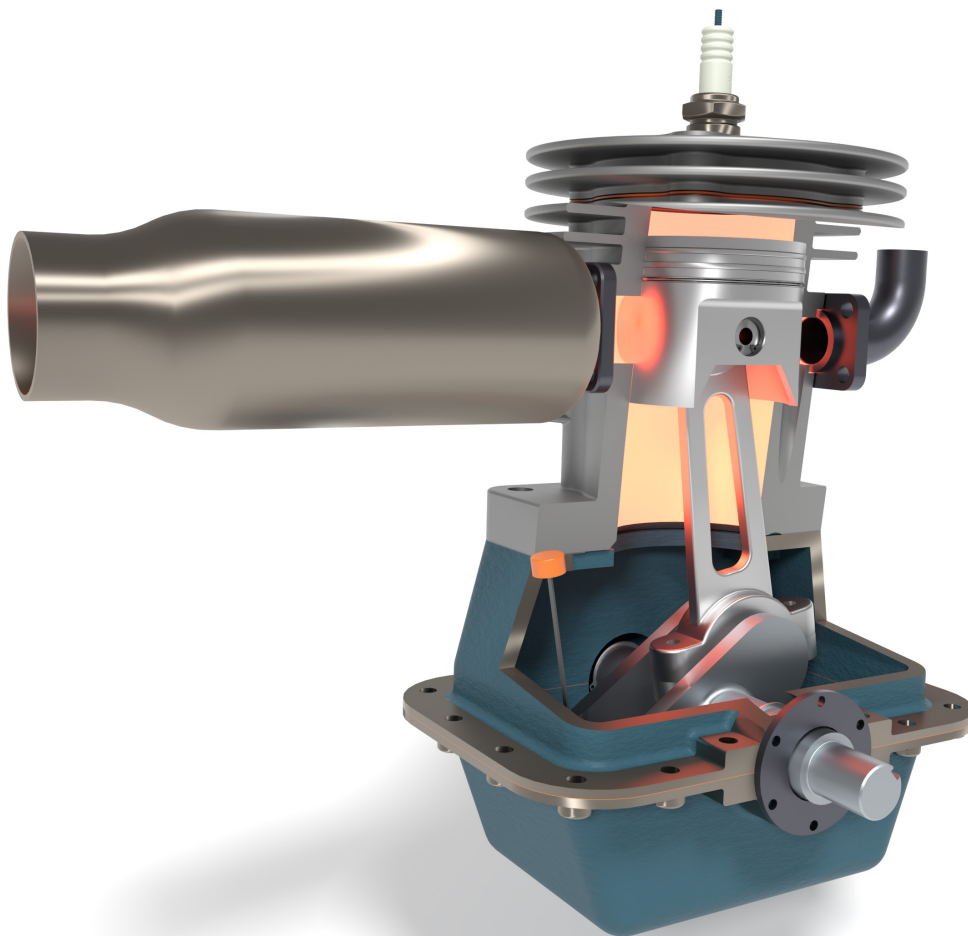


# Beginner's Guide to SOLIDWORKS® 2025 Level I

Parts, Assemblies, Drawings, SOLIDWORKS Visualize,  
SimulationXpress and CSWA Preparation

**20th Edition**  
Includes Video Tutorials



Alejandro Reyes MSME, CSWE, CSWI

Visit the following websites to learn more about this book:



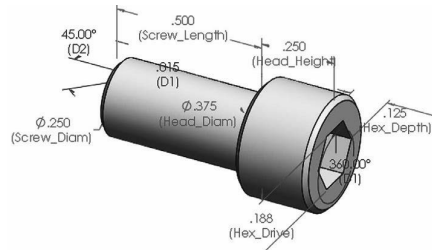
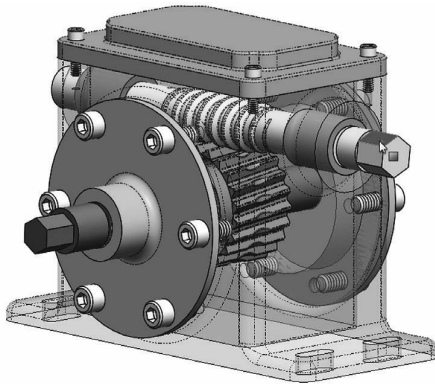
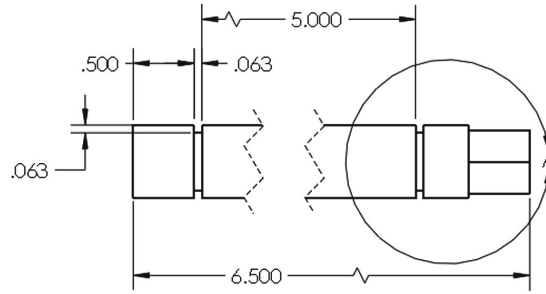
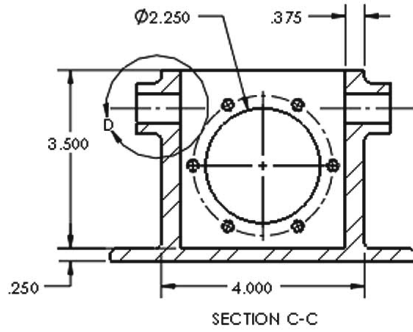
[amazon.com](https://www.amazon.com)

[Google books](https://books.google.com)

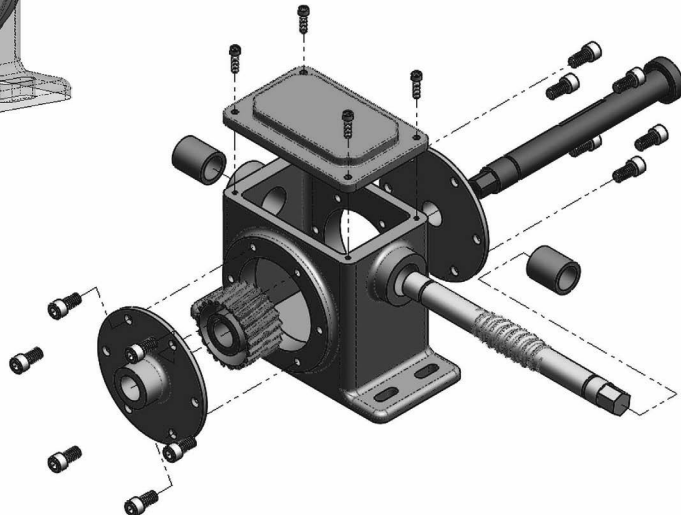
[BARNES & NOBLE](https://www.barnesandnoble.com)

# Table of Contents

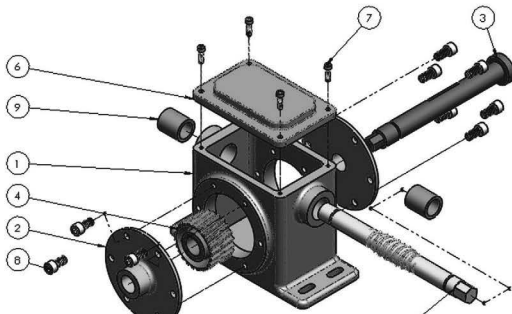
<b><i>Introduction</i></b> .....	<b>1</b>
<b><i>Chapter 1: The SOLIDWORKS Interface</i></b> .....	<b>3</b>
<b><i>Chapter 2: Part Modeling</i></b> .....	<b>23</b>
The Housing .....	25
The Side Cover.....	116
The Top Cover.....	134
The Offset Shaft.....	166
Auxiliary Geometry.....	188
The Worm Gear .....	206
The Worm Gear Shaft.....	232
<b><i>Chapter 3: Special Features: Sweep, Loft and Wrap</i></b> .....	<b>245</b>
Sweep: Cup and Springs .....	247
The Cup.....	249
Simple Spring .....	263
Variable Pitch Spring .....	269
Thread Feature .....	273
Sweep: Bottle.....	279
Loft: Bottle .....	295
Wrap Feature.....	307
Worm Gear Shaft Complete.....	323
Worm Gear Complete .....	333



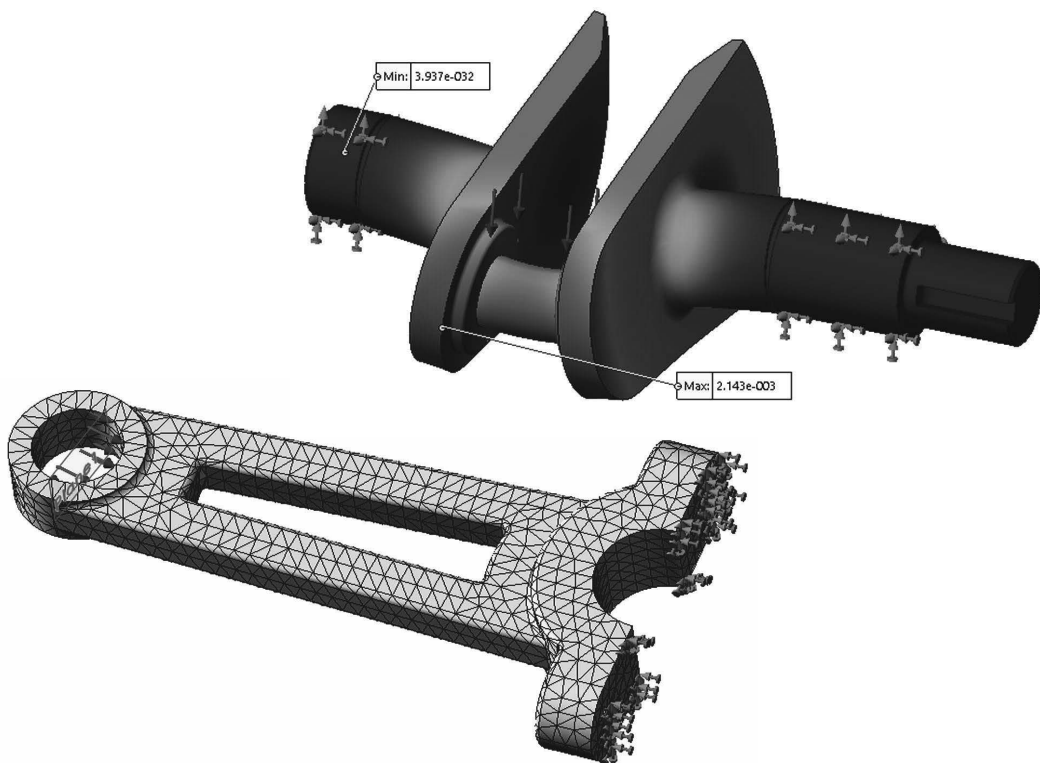
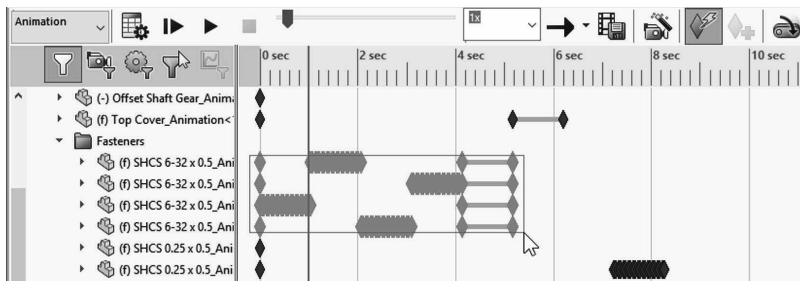
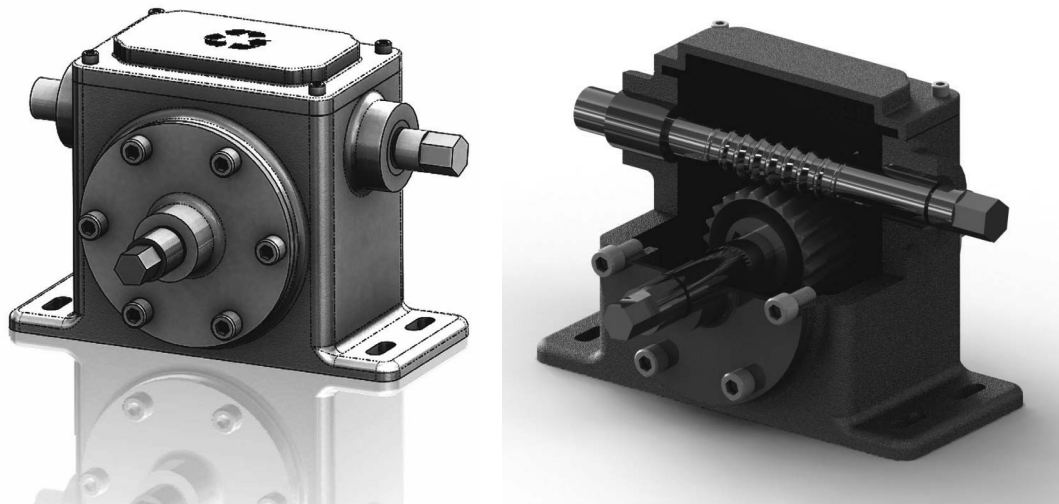
- ANSI Inch
- > Bearings
- ✓ Bolts and Screws
  - Countersunk Head
  - Hex Head
  - Lag Screws
  - Machine Screws
  - Machine Screws (Countersunk)
  - Miniature Screws
  - Miscellaneous
  - Round Head Bolts



1	housing	Cast Alloy Steel	1	Cast Alloy Steel	4.40
2	Side Cover	Cast Cover #345	2	AlSi1020	0.36
3	Worm Gear Shaft	Shaft with Hex Drive	1	Chrome Stainless Steel	0.52
4	Worm Gear Complete	Part No. ABC-2468	1	AlSi1020	0.33
5	Offset Shaft Gear	Part No. OGS2345	1	Chrome Stainless Steel	0.49
6	Top Cover	Cast # 9876	1	Cast Alloy Steel	0.48
7	HW-SHCS 0.138-32x0.5x0.5-S		4		
8	HW-SHCS 0.25-20x0.5x0.5-S		12		
9	Bushing	Part No. SB84-BC	2	Brass	0.057



<b>Chapter 4: Detail Drawing</b> .....	<b>353</b>
Drawing One: The Housing.....	355
Drawing Two: The Side Cover .....	403
Drawing Three: The Top Cover.....	429
Drawing Four: The Offset Shaft .....	451
Drawing Five: The Worm Gear .....	459
Drawing Six: The Worm Gear Shaft.....	477
<b>Chapter 5: Assembly Modeling</b> .....	<b>499</b>
The Speed Reducer Assembly .....	501
SmartMates .....	535
Fasteners.....	553
Configurations using Design Tables.....	565
Interference Detection.....	583
Assembly Configurations .....	587
Exploded View .....	611
Additional Assembly Functionality.....	631
More about Flip Dimension and Mate alignment .....	636
<b>Chapter 6: Assembly and Design Table Drawings</b> .....	<b>657</b>
Assembly Drawing .....	659
Design Table Drawing.....	686



<b>Chapter 7: Animation and Rendering .....</b>	<b>695</b>
SOLIDWORKS Visualize .....	697
Animation.....	727
<b>Chapter 8: Analysis: SimulationXpress.....</b>	<b>757</b>
Background: Why Analysis? .....	759
Engine's Connecting Rod Analysis .....	763
A final word on analysis .....	787
<b>CSWA: Certified SOLIDWORKS Associate Practice Test .....</b>	<b>791</b>
<b>Collaboration: eDrawings .....</b>	<b>803</b>
<b>Final Comments.....</b>	<b>807</b>
<b>Appendix .....</b>	<b>809</b>
Document templates .....	809
<b>Index .....</b>	<b>815</b>