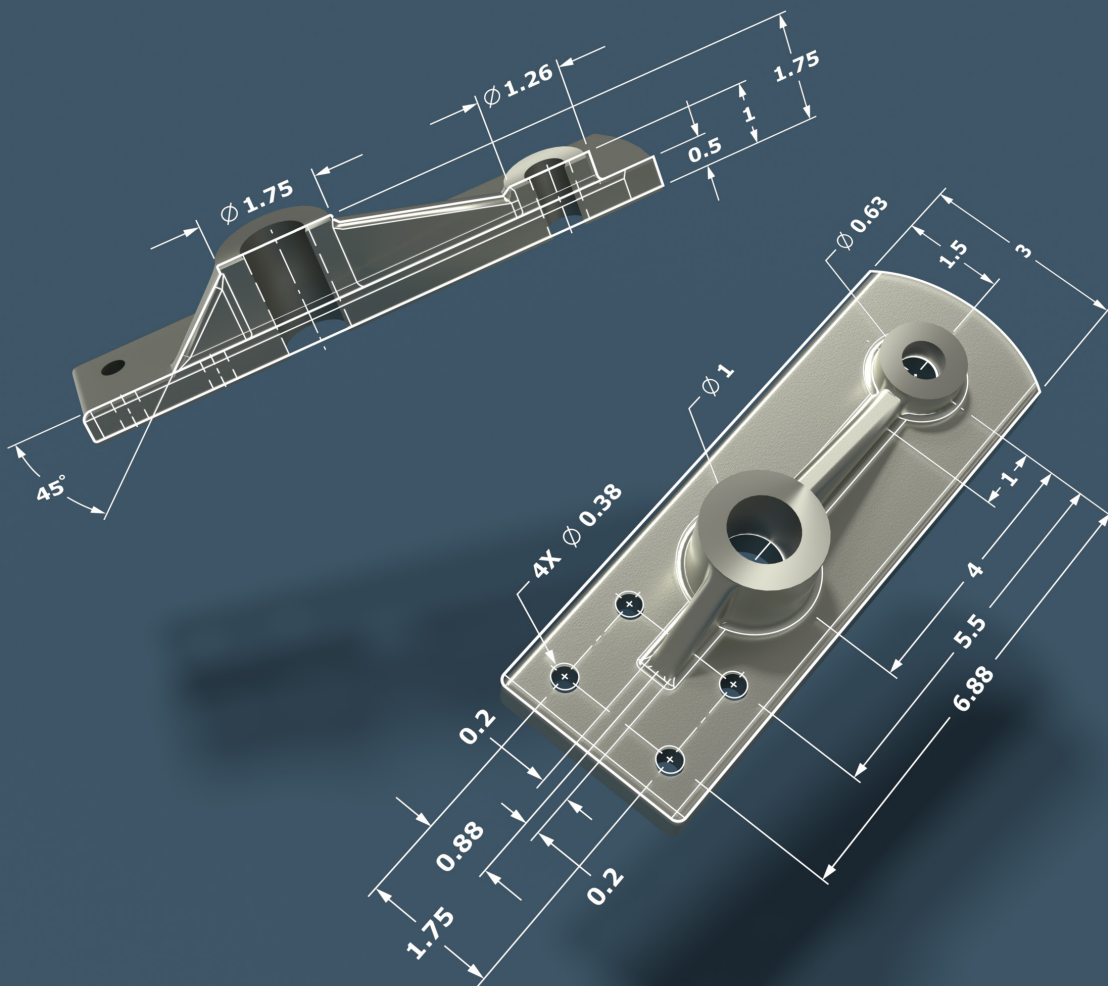


Engineering Graphics Essentials with AutoCAD® 2027 Instruction

Text and Video Instruction



Kirstie Plantenberg
Summer Rayess

Visit the following websites to learn more about this book:



[amazon.com](https://www.amazon.com)

[Google books](https://books.google.com)

[BARNES & NOBLE](https://www.barnesandnoble.com)

TABLE OF CONTENTS

Chapter 1: Introduction to Engineering Drawings

Chapter 2: Drawing in AutoCAD®

Chapter 3: Reading Orthographic Projections

Chapter 4: Creating Orthographic Projections

Chapter 5: Creating Orthographic Projections in AutoCAD®

Chapter 6: Reading Pictorial Drawings

Chapter 7: Creating Pictorial Drawings

Chapter 8: Creating Pictorial Drawings in AutoCAD®

Chapter 9: Reading Dimensions

Chapter 10: Creating Dimensions

Chapter 11: Dimensioning in AutoCAD®

Chapter 12: Reading Section Views

Chapter 13: Creating Section Views

Chapter 14: Creating Section views in AutoCAD®

Chapter 15: Reading Advanced Drawings

Chapter 16: Creating Advanced Drawings

Chapter 17: Creating Advanced Drawings in AutoCAD®

Chapter 18: Reading Tolerances

Chapter 19: Creating Tolerances

Chapter 20: Tolerancing in AutoCAD®

Chapter 21: Reading Threads and Fasteners

Chapter 22: Creating Threads and Fasteners

Chapter 23: Drawing Threads in AutoCAD®

Chapter 24: Reading Assembly Drawings

Chapter 25: Creating Assembly Drawings

Chapter 26: Creating Assembly Drawings in AutoCAD®

Appendix A: Limits and Fits

Appendix B: Threads and Fasteners Tables

Appendix C: References

CHAPTER 1

INTRODUCTION TO ENGINEERING DRAWINGS

CHAPTER OUTLINE

1.1) DESIGN	2
1.2) COMMUNICATING A DESIGN	2
1.2.1) Sketching	2
1.2.2) Technical Drawing	3
1.2.3) Computer-Aided Drawing	4
1.3) STANDARDS	5
1.4) HISTORY OF TECHNICAL DRAWING	5
1.5) MANUFACTURING	6
1.6) ENGINEERING DRAWING FORMAT AND CONTENTS	6
1.6.1) Sheet Sizes	8
1.6.2) Drawing	9
1.6.3) Zoning	10
1.6.4) Scale	10
1.6.5) Notes	10
1.6.6) Title Block	10
1.6.7) Revision History Block	11
1.6.8) Tolerance and Projection Blocks	12
INTRODUCTION TO ENGINEERING DRAWINGS QUESTIONS.....	13
INTRODUCTION TO ENGINEERING DRAWINGS PROBLEMS	17

CHAPTER 2

DRAWING IN AUTOCAD®

CHAPTER OUTLINE

2.1) INTRODUCTION	5
2.1.1) Navigating through the AutoCAD tutorials	5
2.2) AUTOCAD'S WORKSPACES AND USER INTERFACE.....	7
2.3) THE DRAWING AREA.....	7
2.4) ACCESSING AUTOCAD COMMANDS.....	9
2.4.1) Application button	9
2.4.2) The ribbon.....	10
2.4.3) Tool palettes	12
2.4.4) Command prompt / window	13
2.4.5) Shortcut menus.....	14
2.4.6) Application status bar.....	14
2.4.7) Quick access toolbar.....	15
2.4.8) Touch screen	15
2.5) STARTING, SAVING, AND OPENING DRAWINGS.....	15
2.5.1) Starting a new drawing	15
2.5.2) Saving and opening a drawing.....	18
2.5.3) File tab	18
2.5.4) Saving and opening from the web or mobile device.....	19
2.6) CUSTOMIZE USER INTERFACE (CUI)	19
2.7) USER INTERFACE AND STARTUP TUTORIAL	19
2.7.1) Setting up the user interface	19
2.7.2) Starting a new drawing	24
2.7.3) Saving your drawing as a template.....	26
2.7.4) Checking your drawing parameters	26
2.8) COORDINATES	27
2.8.1) Cartesian and polar coordinates	27
2.8.2) Cartesian coordinate system	27
2.8.3) Polar Coordinates	28
2.8.4) Relative coordinates	29
2.8.5) World coordinate system (WCS) and user coordinate system (UCS).....	30
2.8.6) The coordinates panel	32
2.8.7) Coordinate position	33
2.9) WCS/UCS COORDINATE SYSTEMS TUTORIAL	34
2.9.1) Coordinates.....	34
2.9.2) Change to the <i>user coordinate system</i> (UCS).....	35
2.9.3) Coordinate display and drawing.....	36
2.9.4) Drawing using the UCS coordinate system.....	36

2.10) DRAWING USING COORDINATES TUTORIAL	38
2.10.1) Drawing a rectangle using Cartesian coordinates	38
2.10.2) Drawing using relative polar coordinates.....	40
2.10.3) Drawing using both Cartesian and polar coordinates.....	41
2.11) PRINTING	42
2.11.1) Page setup	43
2.11.2) Plot.....	43
2.11.3) Printing to scale.....	43
2.12) PRINTING TUTORIAL	45
2.12.1) Creating the drawing	45
2.12.2) Printing	46
2.12.3) Printing to scale.....	48
2.12.4) Printing to PDF.....	49
2.13) DRAW COMMANDS	50
2.13.1) Line	51
2.13.2) Construction line	51
2.13.3) Ray.....	52
2.13.4) Polyline.....	52
2.13.5) Polygon	53
2.13.6) Rectangle	53
2.13.7) Arc.....	54
2.13.8) Circle	54
2.13.9) Spline	55
2.13.10) Ellipse.....	56
2.13.11) Point.....	56
2.14) TEXT	57
2.14.1) Style	57
2.14.2) Single-line text	57
2.14.3) Multi-lined text	58
2.15) MODIFY COMMANDS	59
2.15.1) Selecting objects	60
2.15.2) Erase.....	60
2.15.3) Copy	60
2.15.4) Mirror.....	61
2.15.5) Offset.....	62
2.15.6) Array.....	63
2.15.7) Move	66
2.15.8) Rotate.....	67
2.15.9) Scale	67
2.15.10) Stretch.....	68
2.15.11) Lengthen	69
2.15.12) Trim.....	69
2.15.13) Extend	70
2.15.14) Break.....	71
2.15.15) Join.....	72
2.15.16) Chamfer	73
2.15.17) Fillet.....	73

2.15.18) Blend curves	74
2.15.19) Explode	74
2.16) OBJECT SNAP COMMANDS.....	74
2.16.1) Endpoint.....	77
2.16.2) Midpoint	77
2.16.3) Intersection	77
2.16.4) Apparent intersection	77
2.16.5) Extension	77
2.16.6) Center	78
2.16.7) Quadrant.....	78
2.16.8) Tangent.....	79
2.16.9) Perpendicular.....	79
2.16.10) Parallel.....	79
2.16.11) Nearest	80
2.16.12) Snap from	80
2.16.13) Insert.....	80
2.16.14) Node	81
2.16.15) Geometric Center.....	81
2.16.16) Object snaps settings.....	81
2.16.17) Object snap cycling and aperture.....	82
2.17) WAGON TUTORIAL.....	83
2.17.1) Preparing to draw.....	83
2.17.2) Drawing.....	84
2.17.3) Using modify commands.....	88
2.18) SELECTING OBJECTS	90
2.19) OBJECT SELECTION TUTORIAL	91
2.19.1) Selecting objects using the pickbox.....	91
2.19.2) Selecting objects using a window	92
2.20) OBJECT SNAP TUTORIAL	95
2.20.1) Drawing using osnaps.....	95
2.20.2) Trimming.....	102
2.21) POLAR TRACKING	103
2.22) OBJECT SNAP TRACKING	104
2.23) TRACKING TUTORIAL.....	105
2.23.1) Polar tracking	105
2.24) DYNAMIC INPUT	109
2.25) DYNAMIC INPUT TUTORIAL	111
2.25.1) Dynamic input settings.....	111
2.26) GRIP BOXES.....	113
2.27) GRIP BOX TUTORIAL	114
2.27.1) Preparing to draw.....	114
2.27.2) Fixing the drawing.....	115
2.27.3) Modifying the drawings shape.....	118
2.28) PARAMETRIC DRAWING	121
2.28.1) Geometric constraints	121

2.28.2) Dimensional constraints	122
2.29) APPLYING PARAMETRIC CONSTRAINTS TUTORIAL	123
2.29.1) Applying geometric constraints	123
2.29.2) Applying dimensional constraints	127
2.30) AUTOMATIC PARAMETRIC CONSTRAINTS TUTORIAL	129
DRAWING IN AUTOCAD QUESTIONS	133
DRAWING IN AUTOCAD PROBLEMS	145

CHAPTER 3

READING ORTHOGRAPHIC PROJECTIONS

CHAPTER OUTLINE

3.1) ORTHOGRAPHIC PROJECTION INTRODUCTION	2
3.1.1) The Six Principal Views	2
3.2) THE GLASS BOX METHOD	3
3.3) LINE TYPES USED IN AN ORTHOGRAPHIC PROJECTION.....	7
3.4) PROJECTION SYMBOL	16
READING ORTHOGRAPHIC PROJECTIONS QUESTIONS – SET1	19
READING ORTHOGRAPHIC PROJECTIONS QUESTIONS – SET2	21
READING ORTHOGRAPHIC PROJECTIONS PROBLEMS	23

CHAPTER 4

CREATING ORTHOGRAPHIC PROJECTIONS

CHAPTER OUTLINE

4.1) CREATING ORTHOGRAPHIC PROJECTIONS REVIEW	2
4.1.1) The Glass Box Method Review	2
4.2) THE STANDARD VIEWS	2
4.2.1) The Front View.....	2
4.3) LINE TYPES USED IN AN ORTHOGRAPHIC PROJECTION.....	4
4.4) RULES FOR LINE CREATION	4
4.4.1) Hidden Lines	5
4.4.2) Center Lines.....	6
4.4.3) Phantom Lines	8
4.4.4) Break Lines	8
4.4.5) Line Type Precedence.....	9
4.5) CREATING AN ORTHOGRAPHIC PROJECTION.....	11
4.5.1) Projection Symbol.....	13
4.6) APPLYING WHAT WE HAVE LEARNED	19
CREATING ORTHOGRAPHIC PROJECTIONS QUESTIONS – SET1	21
CREATING ORTHOGRAPHIC PROJECTIONS QUESTIONS – SET2	23
CREATING ORTHOGRAPHIC PROJECTIONS PROBLEMS	25

CHAPTER 5

CREATING ORTHOGRAPHIC PROJECTIONS IN AUTOCAD®

CHAPTER OUTLINE

5.1) INTRODUCTION	2
5.2) LAYERS	2
5.2.1) The Layers panel	5
5.2.2) Layer properties	7
5.3) LINE TYPE SCALE	10
5.4) PROPERTIES	10
5.4.1) The Properties panel	11
5.5) PRINTING USING PEN WIDTHS	12
5.6) CREATING LAYERS TUTORIAL	13
5.6.1) Setting drawing parameters	13
5.6.2) Creating layers	13
5.6.3) Drawing on different layers	15
5.6.4) Line type scale	16
5.7) BLOCKING	17
5.8) MODEL AND LAYOUT SPACE	21
5.8.1) Model space	21
5.8.2) Layout space	21
5.9) CENTERLINES	23
5.10) TITLE BLOCK TUTORIAL	25
5.10.1) Blocking a title block	25
5.10.2) Blocking a metric title block	27
5.11) ORTHOGRAPHIC PROJECTION TUTORIAL	30
5.11.1) Draw the front view	30
5.11.2) Drawing the right side view	31
5.11.3) Drawing the top view	35
5.11.4) Drawing centerlines	37
5.11.5) Printing the layout	39
5.11.6) Printing a metric drawing	47
ORTHOGRAPHIC PROJECTIONS IN AUTOCAD® QUESTIONS	50
ORTHOGRAPHIC PROJECTIONS IN AUTOCAD® PROBLEMS	55

CHAPTER 6

READING PICTORIAL DRAWINGS

CHAPTER OUTLINE

6.1) PICTORIALS INTRODUCTION	2
6.2) PICTORIAL TYPES	3
6.3) AXONOMETRIC PROJECTIONS	4
6.4) OBLIQUE PROJECTIONS.....	5
6.5) PERSPECTIVE PROJECTIONS	6
6.5.1) Types of perspective projections.....	6
6.6) VISUALIZATION	6
READING PICTORIAL DRAWINGS QUESTIONS – SET1.....	9
READING PICTORIAL DRAWINGS QUESTIONS – SET2.....	11
READING PICTORIAL DRAWINGS PROBLEMS	13

CHAPTER 7

CREATING PICTORIAL DRAWINGS

CHAPTER OUTLINE

7.1) PICTORIAL TYPES	2
7.2) AXONOMETRIC PROJECTIONS	3
7.2.1) Types of axonometric pictorials.....	3
7.3) OBLIQUE PROJECTIONS.....	5
7.3.1) Types of oblique pictorials.....	5
7.4) VISUALIZATION	6
7.5) DRAWING ISOMETRIC PICTORIALS.....	7
7.5.1) Drawing linear features in an isometric pictorial	8
7.5.2) Drawing circles and radii in an isometric pictorial	11
7.5.3) Drawing cylinders in an isometric pictorial.....	15
7.6) DRAWING CABINET OBLIQUE PICTORIALS.....	20
7.6.1) Drawing features of a cabinet oblique pictorial	20
7.7) APPLYING WHAT WE HAVE LEARNED	29
CREATING PICTORIAL DRAWINGS QUESTIONS – SET1	33
CREATING PICTORIAL DRAWINGS QUESTIONS – SET2	35
CREATING PICTORIAL DRAWINGS PROBLEMS	37

CHAPTER 8

CREATING PICTORIAL DRAWINGS IN AUTOCAD®

CHAPTER OUTLINE

8.1) ISOMETRIC SNAP	2
8.2) ISOCIRCLES	2
8.3) ISOMETRIC PICTORIAL TUTORIAL	4
8.3.1) Setting up to draw an isometric pictorial	4
8.3.2) Drawing the isometric pictorial.....	5
8.4) ISOCIRCLE TUTORIAL	7
8.4.1) Setting up to draw an isometric pictorial	8
8.4.2) Drawing the isometric pictorial.....	8
CREATING PICTORIALS IN AUTOCAD® QUESTIONS.....	11
CREATING PICTORIALS IN AUTOCAD® PROBLEMS.....	13

CHAPTER 9

READING DIMENSIONS

CHAPTER OUTLINE

9.1) DETAILED DRAWINGS	2
9.2) DIMENSIONING STANDARD	2
9.3) DIMENSION APPEARANCE	3
9.3.1) Types of Dimensions	4
9.3.2) Units	5
9.4) DIMENSIONING SYMBOLS	5
9.4.1) Diameter symbol	5
9.4.2) Radius symbol	6
9.4.3) Depth and THRU symbols	6
9.4.4) Radius center and jogged dimension symbols	8
9.4.5) Spherical diameter and radius symbols	8
9.4.6) Arc length symbol	8
9.4.7) Reference Dimension	9
9.4.8) Repeated features and chamfer symbol	9
9.4.9) Symmetry symbol	12
9.4.10) Counterbores and countersinks symbols	13
9.4.11) General drawing notes	15
9.5) DATUM DIMENSIONING	17
9.6) TOLERANCING	18
READING DIMENSIONS QUESTIONS – SET1	23
READING DIMENSIONS QUESTIONS – SET2	25
READING DIMENSIONS PROBLEMS	27

CHAPTER 10

CREATING DIMENSIONS

CHAPTER OUTLINE

10.1) LEARNING TO DIMENSION	2
10.2) DIMENSION APPEARANCE	2
10.2.1) Lines Used in Dimensioning	2
10.2.2) Arrowheads, lettering, and symbols.....	4
10.3) FEATURE DIMENSIONS	5
10.3.1) Dimensioning holes, cylinders, arcs, and rounded features	5
10.3.2) Repeated features, chamfers, and symmetry.....	8
10.3.3) Slots and solid parts with rounded ends	11
10.3.4) Counterbores and countersinks.....	13
10.3.5) Drawing Notes	16
10.4) DIMENSIONING RULES	16
10.4.1) Dimension placement, spacing, and readability	16
10.4.2) Over/Under dimensioned parts.....	22
10.4.3) Manufacturing	24
10.4.4) Functional dimensioning	30
10.4.5) Tolerancing	38
10.5) APPLYING WHAT WE HAVE LEARNED	39
CREATING DIMENSIONS QUESTIONS – SET 1	43
CREATING DIMENSIONS QUESTIONS – SET 2	45
CREATING DIMENSIONS PROBLEMS	47

CHAPTER 11

DIMENSIONING IN AUTOCAD®

CHAPTER OUTLINE

11.1) INTRODUCTION	2
11.2) DIMENSION COMMANDS	3
11.2.1) Dimensions panel.....	3
11.2.2) The Leaders panel	5
11.3) DIMENSION STYLES	6
11.3.1) Dimension Style Manager	6
11.3.2) Multileader Style Manager.....	7
11.4) DIMENSION VARIABLES.....	8
11.4.1) Dimension scale.....	8
11.4.2) Dimension and extension lines.....	8
11.4.3) Dimension text.....	9
11.4.4) Diameter and radial dimensions	9
11.4.5) Angular dimensions.....	9
11.4.6) Alternative units.....	10
11.4.7) Toleranced dimensions	10
11.4.8) Miscellaneous.....	10
11.5) ASSOCIATIVE DIMENSIONS.....	10
11.6) ANNOTATIVE OBJECTS	10
11.6.1) Annotative object scale	12
11.7) DIMENSIONING TUTORIAL.....	13
11.7.1) Drawing the object.....	13
11.7.2) Drawing linear dimensions	14
11.7.3) Drawing diameter, radius, and angular dimensions.....	15
11.7.4) Drawing leaders	17
11.7.5) Creating a new dimension style.....	17
11.7.6) Annotative objects	25
11.7.7) Dimension scale and associativity.....	28
11.8) EDITING DIMENSION TEXT TUTORIAL	31
DIMENSIONING IN AUTOCAD® QUESTIONS.....	35
DIMENSIONING IN AUTOCAD® PROBLEMS	37

CHAPTER 12

READING SECTION VIEWS

CHAPTER OUTLINE

12.1) SECTION VIEWS	2
12.2) LINES USED IN A SECTION VIEW	5
12.3) BASIC SECTIONS	6
12.3.1) Full section.....	6
12.3.2) Half section	7
12.3.3) Offset section.....	8
12.4) ADVANCED SECTIONS	11
12.4.1) Aligned section	11
12.4.2) Rib and web sections	12
12.4.3) Broken-out section	13
12.4.4) Removed section	13
12.4.5) Revolved section.....	14
READING SECTION VIEWS QUESTIONS – SET 1	17
READING SECTION VIEWS QUESTIONS – SET 2	19
READING SECTION VIEW PROBLEMS	21

CHAPTER 13

CREATING SECTION VIEWS

CHAPTER OUTLINE

13.1) CREATING SECTION VIEWS	2
13.1.1) Lines used in section views.....	4
13.1.2) Rules of sectioning.....	4
13.2) BASIC SECTIONS	5
13.2.1) Full section.....	5
13.2.2) Half section	6
13.2.3) Offset section	7
13.3) ADVANCED SECTIONS	12
13.3.1) Aligned section	12
13.3.2) Rib and web sections.....	13
13.3.3) Broken-out section	14
13.3.4) Removed section	15
13.3.5) Revolved section.....	16
13.3.6) Non-sectioned parts.....	16
13.3.7) Thin sections.....	16
13.4) APPLYING WHAT WE HAVE LEARNED	21
CREATING SECTION VIEWS QUESTIONS – SET 1	25
CREATING SECTION VIEWS QUESTIONS – SET 2	27
CREATING SECTION VIEW PROBLEMS	29

CHAPTER 14

CREATING SECTION VIEWS IN AUTOCAD®

CHAPTER OUTLINE

14.1) INTRODUCTION	2
14.2) CUTTING PLANE LINES	2
14.3) HATCHES.....	3
14.4) CREATING HATCHES TUTORIAL	6
14.4.1) Creating hatches.....	6
14.4.2) Changing hatch properties	8
14.5) HALF SECTION TUTORIAL.....	10
14.5.1) Inserting the cutting plane line	10
14.5.2) Creating the half section view	13
SECTION VIEWS IN AUTOCAD QUESTIONS.....	15
SECTION VIEWS IN AUTOCAD PROBLEMS	17

CHAPTER 15

READING ADVANCED DRAWINGS

CHAPTER OUTLINE

15.1) ADVANCED VIEWS	2
15.1.1) Removed and revolved orthographic views.....	2
15.1.2) Detail views.....	2
15.1.3) Partial views.....	2
15.1.4) Auxiliary views	7
15.1.5) Related parts.....	8
15.2) ADVANCED PART TECHNIQUES	11
15.2.1) Cast and molded parts.....	11
15.2.2) Welded parts.....	16
READING ADVANCED DRAWINGS QUESTIONS – SET 1.....	19
READING ADVANCED DRAWINGS QUESTIONS – SET 2.....	21
READING ADVANCED DRAWING TECHNIQUES PROBLEMS	23

CHAPTER 16

CREATING ADVANCED DRAWINGS

CHAPTER OUTLINE

16.1) AUXILIARY VIEWS	2
16.2) CASTINGS	6
CREATING ADVANCED DRAWINGS QUESTIONS – SET 1	11
CREATING ADVANCED DRAWINGS QUESTIONS – SET 2	13
CREATING ADVANCED DRAWING PROBLEMS.....	15

CHAPTER 17

CREATING ADVANCED DRAWINGS IN AUTOCAD®

CHAPTER OUTLINE

17.1) INTRODUCTION	2
17.2) REMOVED AND REVOLVED ORTHOGRAPHIC VIEWS.....	2
17.3) DETAIL AND PARTIAL VIEWS	2
17.4) AUXILIARY VIEW TUTORIAL	3
17.4.1) Drawing the orthographic projection	3
17.4.2) Creating the auxiliary view	4
17.5) SURFACE TEXTURE TUTORIAL	8
ADVANCED DRAWINGS IN AUTOCAD PROBLEMS	12

CHAPTER 18

READING TOLERANCES

CHAPTER OUTLINE

18.1) TOLERANCING AND INTERCHANGEABILITY	2
18.2) TOLERANCE TYPES	2
18.3) SHAFT-HOLE ASSEMBLY.....	3
18.4) INCH TOLERANCES	4
18.4.1) Types of fits	5
18.5) METRIC TOLERANCES	6
READING TOLERANCES QUESTIONS – SET 1.....	9
READING TOLERANCES QUESTIONS – SET 2.....	10
READING TOLERANCES PROBLEMS	11

CHAPTER 19

CREATING TOLERANCES

CHAPTER OUTLINE

- 19.1) WHY TOLERANCING?..... 2**
- 19.2) TOLERANCING STANDARDS 2**
- 19.3) CHOOSING A TOLERANCE TYPE 2**
- 19.4) INCH TOLERANCES 3**
 - 19.4.1) ANSI standard limits and fits 3
 - 19.4.2) Calculating limits 6
- 19.5) METRIC TOLERANCES 7**
 - 19.5.1) ANSI standard limits and fits (Metric) 8
 - 19.5.2) Tolerance designation and tolerance zone 8
 - 19.5.3) Basic hole and basic shaft systems..... 13
 - 19.4.2) Calculating limits 13
- 19.6) SELECTING TOLERANCES 15**
- 19.7) TOLERANCE ACCUMULATION 15**
- 19.8) FORMATTING TOLERANCES 18**
 - 19.8.1) Metric tolerances..... 18
 - 19.8.2) Inch tolerances 19
- 19.9) APPLYING WHAT WE HAVE LEARNED 21**
- CREATING TOLERANCES QUESTIONS – SET 1 27**
- CREATING TOLERANCES QUESTIONS – SET 2 29**
- CREATING TOLERANCES PROBLEMS 33**

CHAPTER 20

TOLERANCING IN AUTOCAD®

CHAPTER OUTLINE

20.1) INTRODUCTION	2
20.2) TOLERANCE PARAMETERS	2
20.3) TOLERANCING TUTORIAL	4
20.3.1) Drawing the object.....	4
20.3.2) Tolerancing.....	5
TOLERANCING IN AUTOCAD QUESTIONS.....	9
TOLERANCING IN AUTOCAD PROBLEMS.....	11

CHAPTER 21

READING THREADS AND FASTENERS

CHAPTER OUTLINE

21.1) FASTENERS.....	2
21.2) SCREW THREAD DEFINITIONS.....	2
21.3) RECOGNIZING SCREW THREADS.....	4
21.3.1) Detailed representation	4
21.3.2) Schematic representation	5
21.3.3) Simplified representation.....	5
21.4) UNIFIED THREAD NOTE	6
21.5) METRIC THREAD NOTE.....	8
21.6) STANDARD PARTS	10
21.6.1) General fastener specifications	10
READING THREADS AND FASTENERS QUESTIONS – SET 1	12
READING THREADS AND FASTENERS QUESTIONS – SET 2	14
READING THREADS AND FASTENERS PROBLEMS.....	17

CHAPTER 22

CREATING THREADS AND FASTENERS

CHAPTER OUTLINE

22.1) FASTENERS REVIEW.....	2
22.2) MANUFACTURING SCREW THREADS	4
22.3) DRAWING SCREW THREADS.....	4
22.3.1) Detailed representation	4
22.3.2) Schematic representation	5
22.3.3) Simplified representation.....	6
22.4) CREATING UNIFIED THREAD NOTES.....	9
22.4.1) Unified thread tables	9
22.5) METRIC THREADS	11
22.5.1) Metric thread tables	12
22.6) TYPES OF THREAD.....	14
22.7) DRAWING BOLTS.....	15
22.8) BOLT AND SCREW CLEARANCES	15
22.9) STANDARD PARTS	19
22.10) APPLYING WHAT YOU HAVE LEARNED	21
CREATING THREADS AND FASTENERS QUESTIONS – SET 1	27
CREATING THREADS AND FASTENERS QUESTIONS – SET 2	29
CREATING THREADS AND FASTENERS PROBLEMS.....	31

CHAPTER 23

DRAWING THREADS IN AUTOCAD®

CHAPTER OUTLINE

23.1) INTRODUCTION	2
23.2) EXTERNAL THREADS TUTORIAL.....	3
23.2.1) Drawing external Unified National threads	3
23.3) INTERNAL THREADS TUTORIAL	5
23.3.1) Drawing Unified National internal threads	5
23.4) HEX NUTS AND BOLTS TUTORIAL	8
23.4.1) Drawing a hex head bolt	8
23.4.2) Drawing a hex head nut	10
DRAWING THREADS IN AUTOCAD PROBLEMS	12

CHAPTER 24

READING ASSEMBLY DRAWINGS

CHAPTER OUTLINE

24.1) DEFINITIONS	2
24.1.1) Drawing order	2
24.2) COMPONENTS OF AN ASSEMBLY DRAWING	3
24.2.1) Assembly drawing views	3
24.2.2) Part identification	3
24.2.3) Parts list / bill of material (bom)	3
24.3) SECTION VIEWS	3
24.4) APPLYING WHAT WE HAVE LEARNED	5
READING ASSEMBLY DRAWINGS QUESTIONS – SET1	7
READING ASSEMBLY DRAWINGS QUESTIONS – SET2	9
READING ASSEMBLY DRAWING PROBLEMS	11

CHAPTER 25

CREATING ASSEMBLY DRAWINGS

CHAPTER OUTLINE

25.1) ASSEMBLY DRAWING REVIEW	2
25.2) SELECTING APPROPRIATE VIEWS.....	2
25.3) COMPONENTS INCLUDED ON AN ASSEMBLY DRAWING	2
25.3.1) Part identification	2
25.3.2) Parts list / bill of material (BOM)	2
25.4) SECTION VIEWS	6
25.5) THINGS TO INCLUDE/NOT INCLUDE.....	6
25.5.1) Hidden and center lines	6
25.5.2) Dimensions	6
25.6) APPLYING WHAT WE HAVE LEARNED	7
CREATING ASSEMBLY DRAWINGS QUESTIONS	17
CREATING ASSEMBLY DRAWING PROBLEMS	19

CHAPTER 26

CREATING ASSEMBLY DRAWINGS IN AUTOCAD®

CHAPTER OUTLINE

26.1) INTRODUCTION	2
26.2) ASSEMBLY TUTORIAL.....	2
26.2.1) Creating the assembly drawing	4
26.2.2) Balloon the assembly	8
26.2.3) Create a parts list	11
26.2.4) Title block information.....	12
ASSEMBLY DRAWINGS IN AUTOCAD PROBLEMS	13